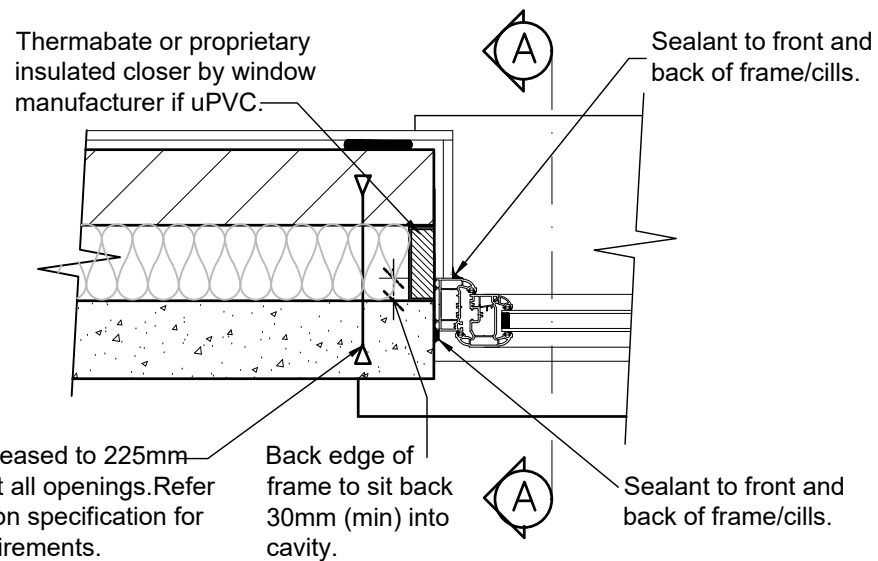
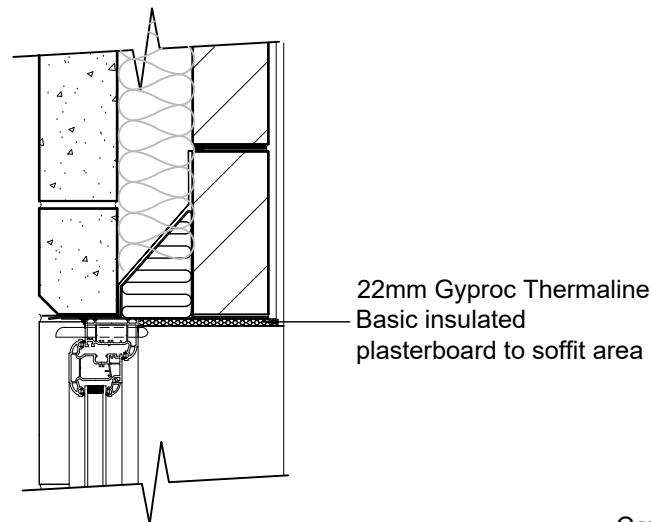


**Elevation**  
(scale 1:20)



**Plan**  
(scale 1:10)

**ALL STONWORK ELEMENTS  
MUST BE PROTECTED DURING  
THE CONSTRUCTION PHASE**



**Alternative Lintel with  
Solid Base Plate**  
(scale 1:10)

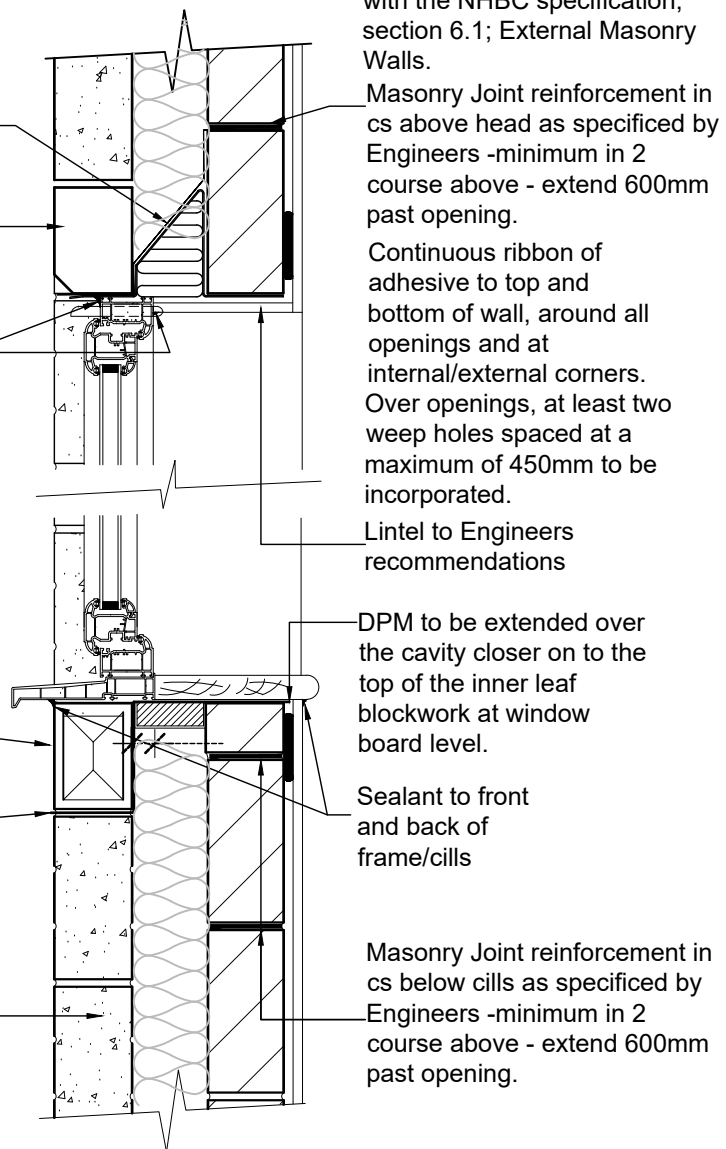
Cavity trays should be provided at all interruptions to the cavity unless otherwise protected eg by overhanging eaves.

Cavity trays must have a minimum upstand of 140mm and stop ends. Tray to extend a min. 150mm past lintel.  
Drycast stone head. Stone colour as specified on E.M.S  
Sealant to front and back of frame  
Lintel to allow for chamfer on stone head.  
Openings to be sealed in accordance with Robust Details and the Accredited Construction Details

Back edge of frame to sit back 30mm (min) into cavity.  
Row of 140mm brick cut soldier courses to window cill. Bricks to be flush with surrounding stonework  
DPC to be incorporated to underside & rear of cill as indicated (5mm projection to U/S)

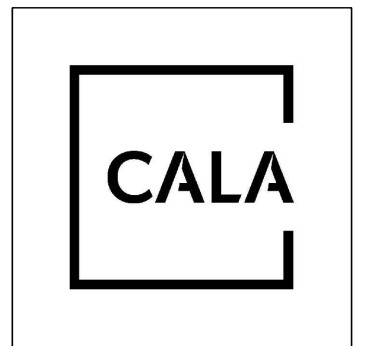
External Cavity wall construction as per section within the Standard Construction Specification.

**Section A-A**  
(scale 1:10)



**Notes**  
All dimensions to be checked on site prior to the commencement of construction and any discrepancy should be reported to the Site Manager.  
This drawing may not be reproduced in any part or form without written consent.  
All copyrights reserved.  
Sub-Contractors MUST ensure that they have the latest issue drawing before they commence work on site.

Rev	Date	Description	Init.



Job title  
**Fwecott Road,  
Fritwell**

Drawing title  
**Stone Head & Brick Cill  
Detail In Stone**

Scale <b>1:10/1:20 @ A3</b>	Drawn <b>GH</b>
Dwg No. <b>00217-204-FRITWELL</b>	Date <b>Sept 2022</b>
	Rev. <b>/</b>