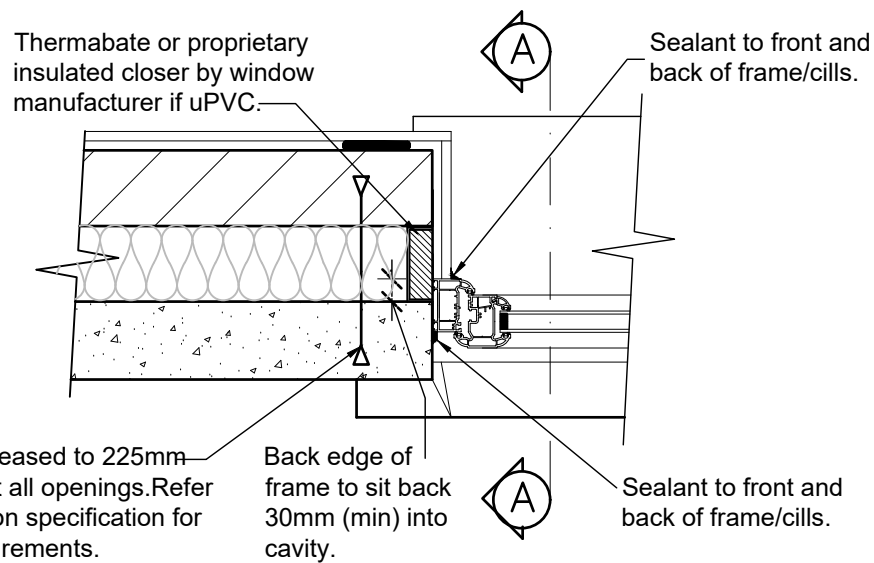


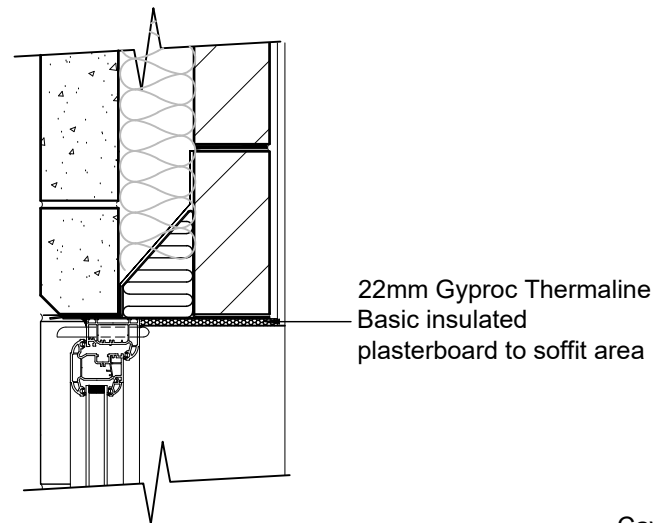
Elevation
(scale 1:20)

Note: Max 1500mm Dry Cast Stone length. For Cill type exceeding this ensure that the mortar colour matches the stone work.



Plan
(scale 1:10)

ALL STONEMWORK ELEMENTS MUST BE PROTECTED DURING THE CONSTRUCTION PHASE



Alternative Lintel with Solid Base Plate
(scale 1:10)

Cavity trays should be provided at all interruptions to the cavity unless otherwise protected eg by overhanging eaves.

To be installed in accordance with the NHBC specification, section 6.1; External Masonry Walls.

Masonry Joint reinforcement in cs above head as specified by Engineers -minimum in 2 course above - extend 600mm past opening.

Continuous ribbon of adhesive to top and bottom of wall, around all openings and at internal/external corners. Over openings, at least two weep holes spaced at a maximum of 450mm to be incorporated.

Lintel to Engineers recommendations

DPM to be extended over the cavity closer on to the top of the inner leaf blockwork at window board level.

Sealant to front and back of frame/cills

Masonry Joint reinforcement in cs below cills as specified by Engineers -minimum in 2 course above - extend 600mm past opening.

Cavity trays must have a minimum upstand of 140mm and stop ends. Tray to extend a min. 150mm past lintel.
Drycast stone head. Stone colour as specified on E.M.S
Sealant to front and back of frame
Lintel to allow for chamfer on stone head.
Openings to be sealed in accordance with Robust Details and the Accredited Construction Details

Back edge of frame to sit back 30mm (min) into cavity.
Drycast stone cill block. Stone colour as specified on E.M.S
DPC to be incorporated to underside & rear of cill as indicated (5mm projection to U/S)

External Cavity wall construction as per section within the Standard Construction Specification.

Section A-A
(scale 1:10)

Notes
All dimensions to be checked on site prior to the commencement of construction and any discrepancy should be reported to the Site Manager.
This drawing may not be reproduced in any part or form without written consent.
All copyrights reserved.
Sub-Contractors MUST ensure that they have the latest issue drawing before they commence work on site.

Rev	Date	Description	Init.



Job title
**Fwecott Road,
Fritwell**

Drawing title
**Stone Head & Cill Detail
In Stone**

Scale 1:10/1:20 @ A3	Drawn GH
Dwg No. 00217-205-FRITWELL	Date Sept 2022
	Rev. /