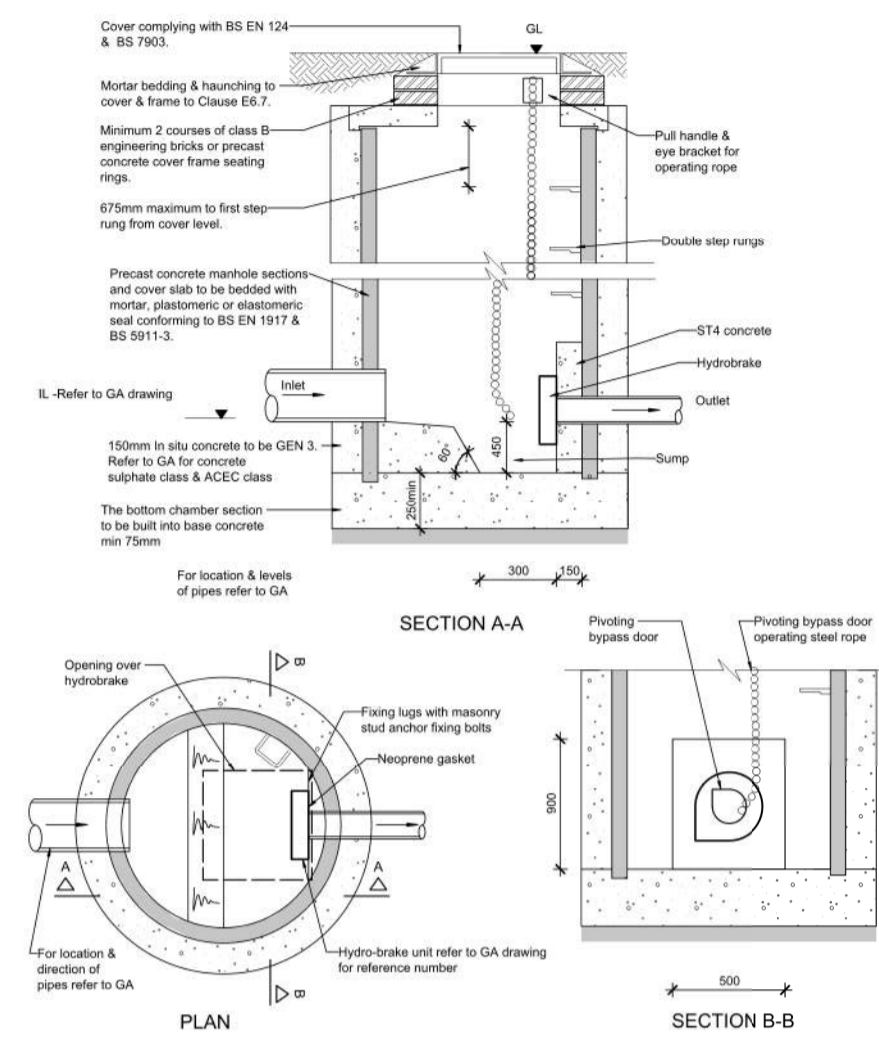
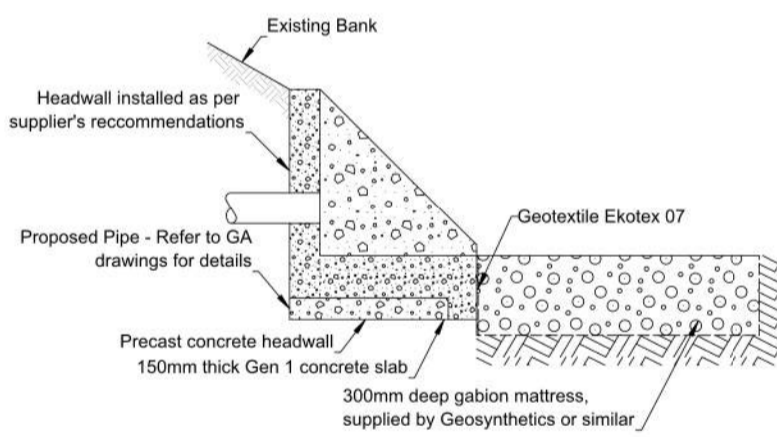
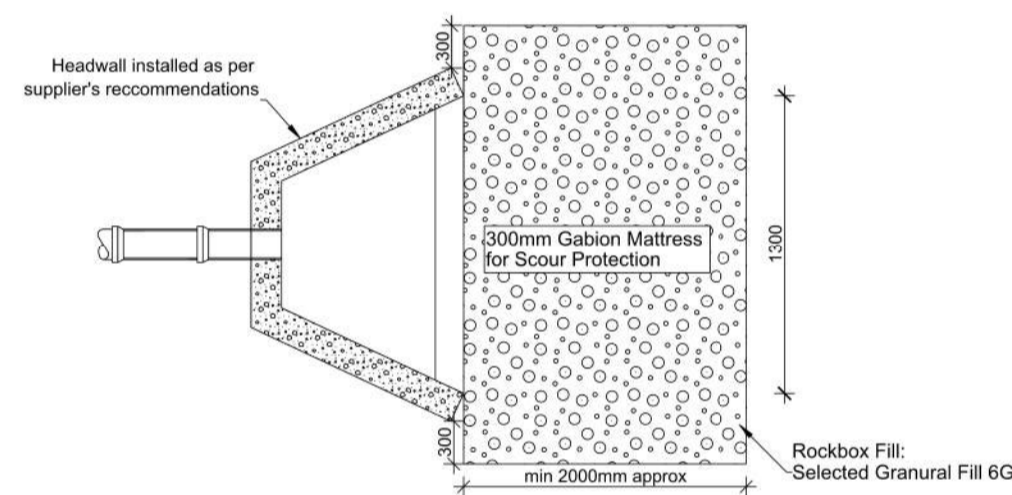


Phase 1



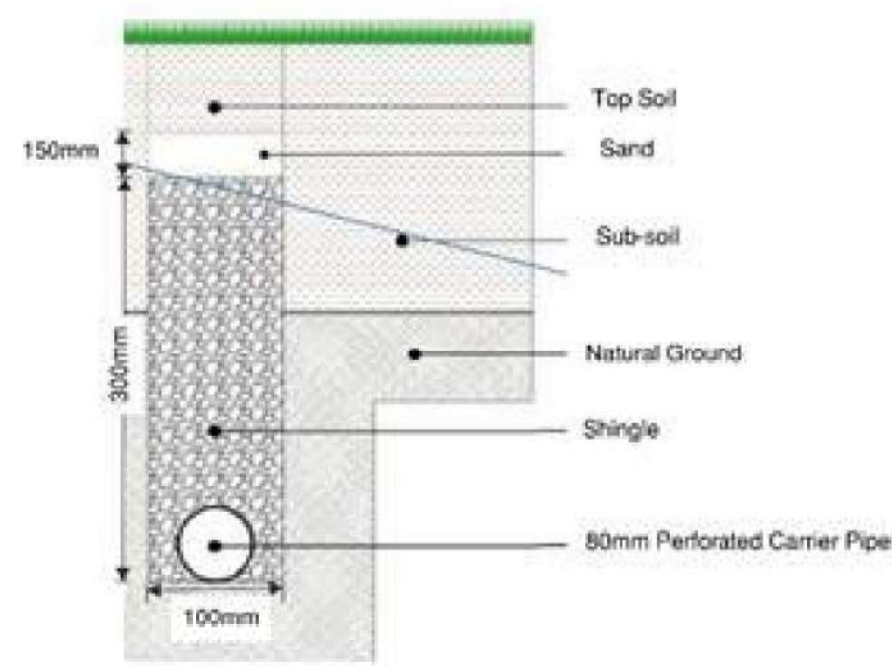
NOTE:
1. Refer to GA for manhole size and Hydrobrake reference number.
2. Hydrobrake to be installed as per supplier's recommendations.

Flow Control Device Chamber-Hydrobrake



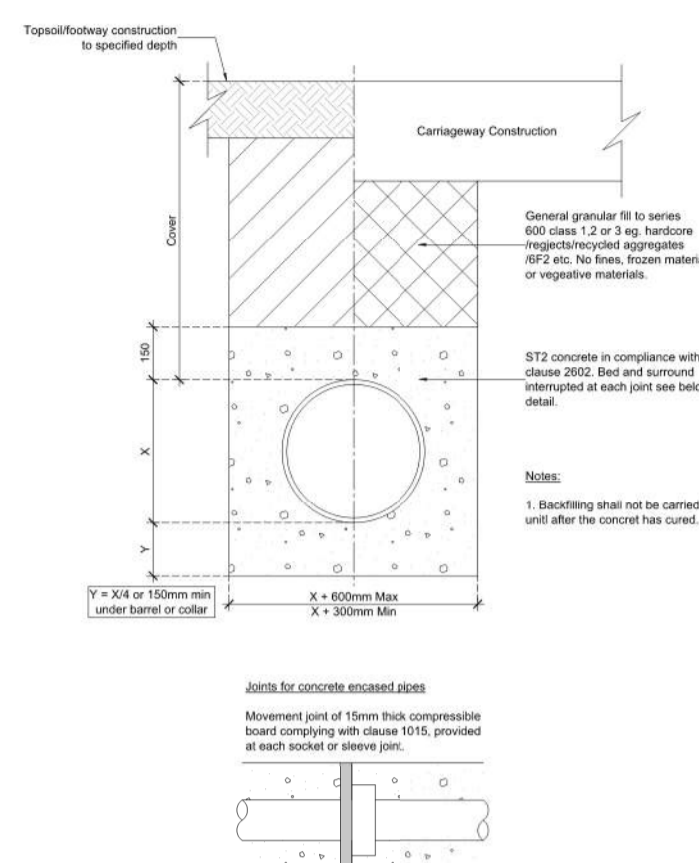
Headwall	Accommodate Pipe Size	Back wall height (external)	Front wall height (external)	Width of back wall (internal)	Width of front wall (internal)	Headwall Length	Wall Thickness	Floor Thickness	Approx. Weight
FFM-Cover Precast Headwall 100 Small	mm	mm	mm	mm	mm	mm	mm	mm	kg
	200, 225, 160	815	300	520	1300	1320	100	162	1080

Precast Concrete Headwall

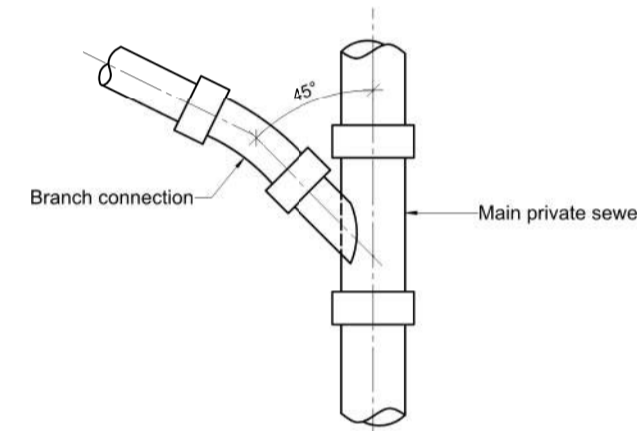


Perforated Pipe Detail

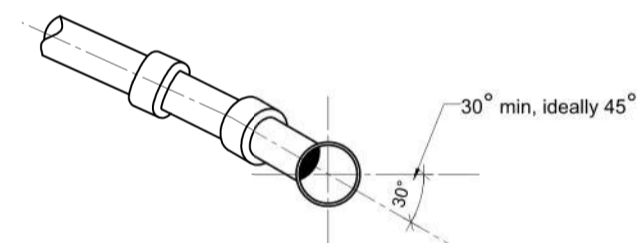
Phase 2



Pipe Bedding Detail Type Z



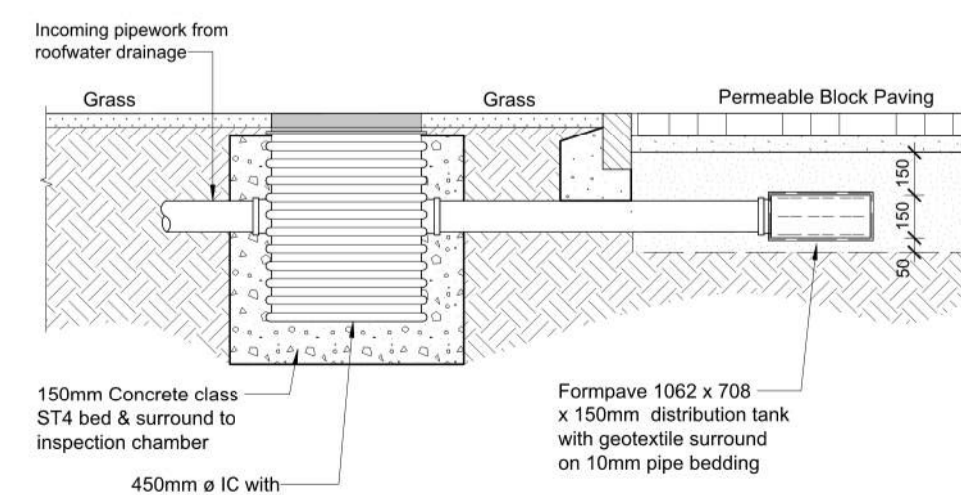
PLAN VIEW



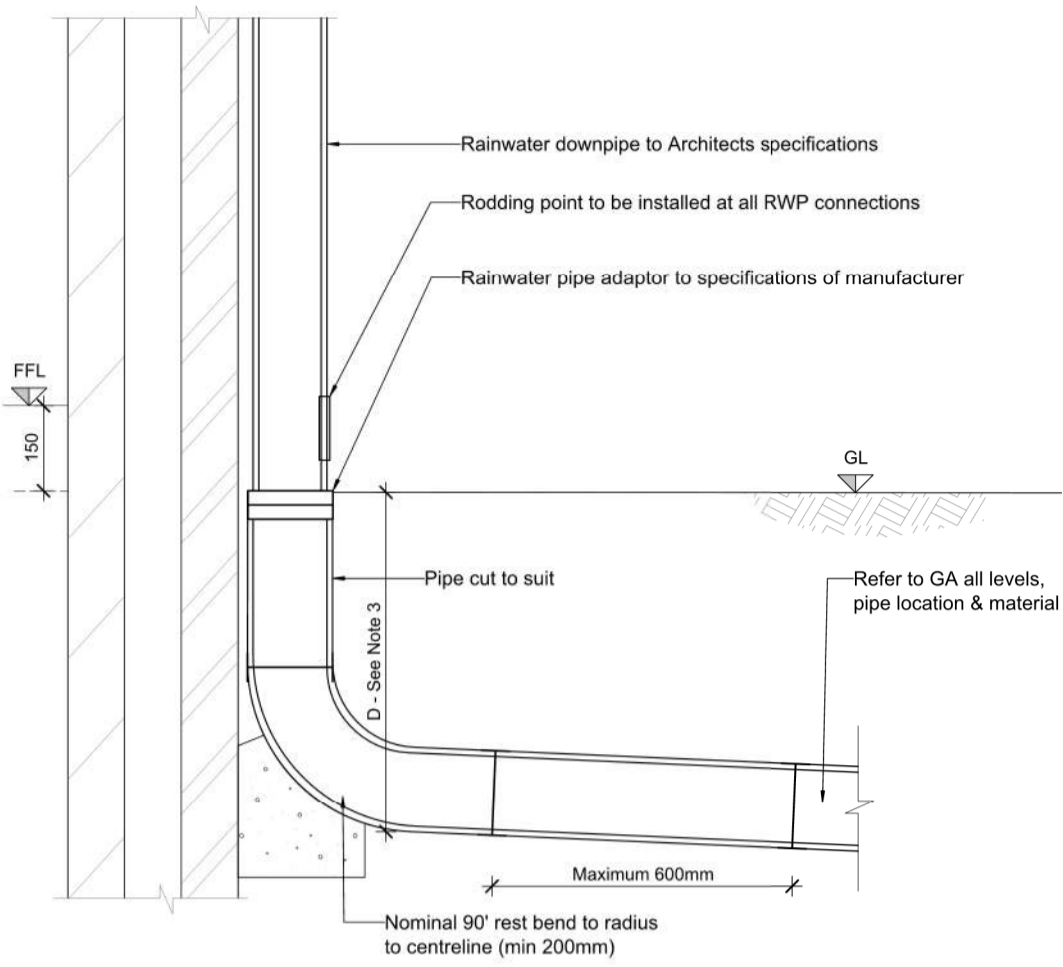
NOTES:

- The vertical angle between the connecting pipe and the horizontal should be greater than 0° and not more than 60°.
- Where the connection is being made to a sewer with a nominal internal diameter of 300 mm or less, connections should be made using 45° angle, or 90° angle, curved square junctions.
- Connections made with junction fittings should be made by cutting the existing pipe, inserting the junction fitting and jointing with flexible repair couplings or slip couplers.

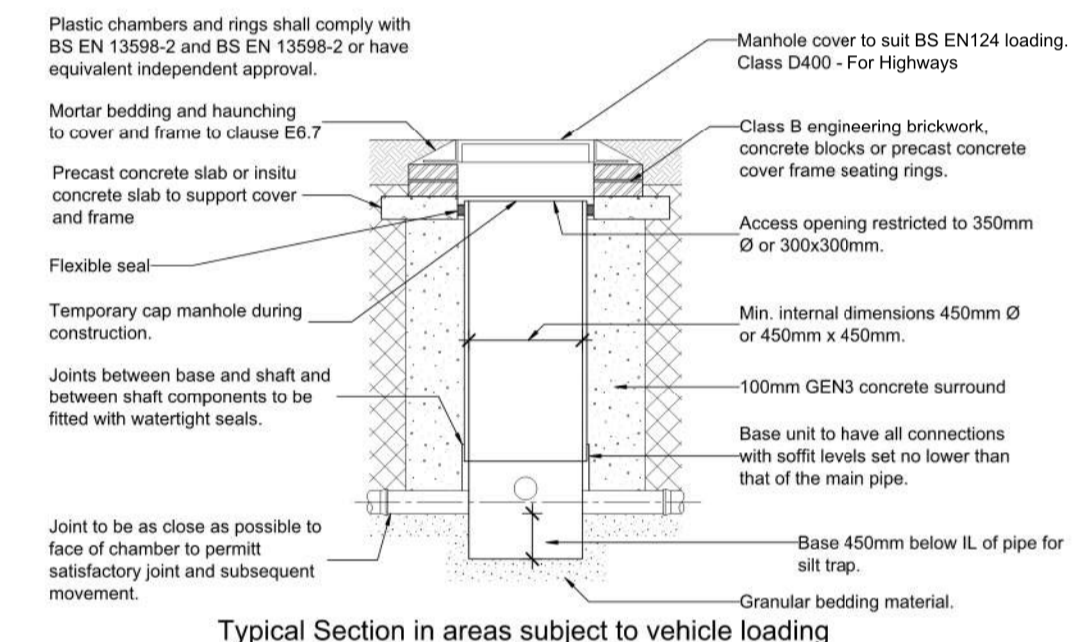
Lateral Connection to private sewer



SD064 - Sump and Dispersion Unit



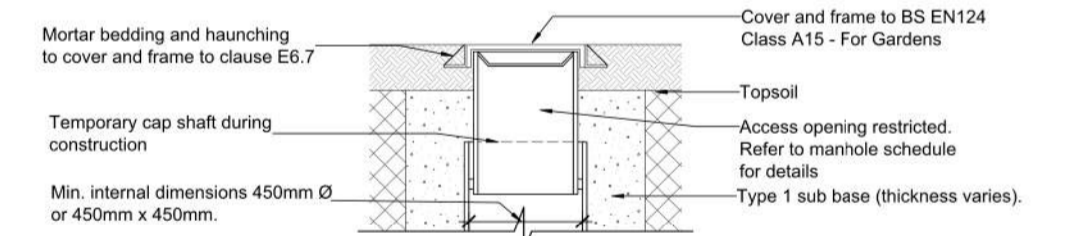
8251 - External Rainwater Pipe Connection Detail



Typical Section in areas subject to vehicle loading



Sited in domestic driveways or footways

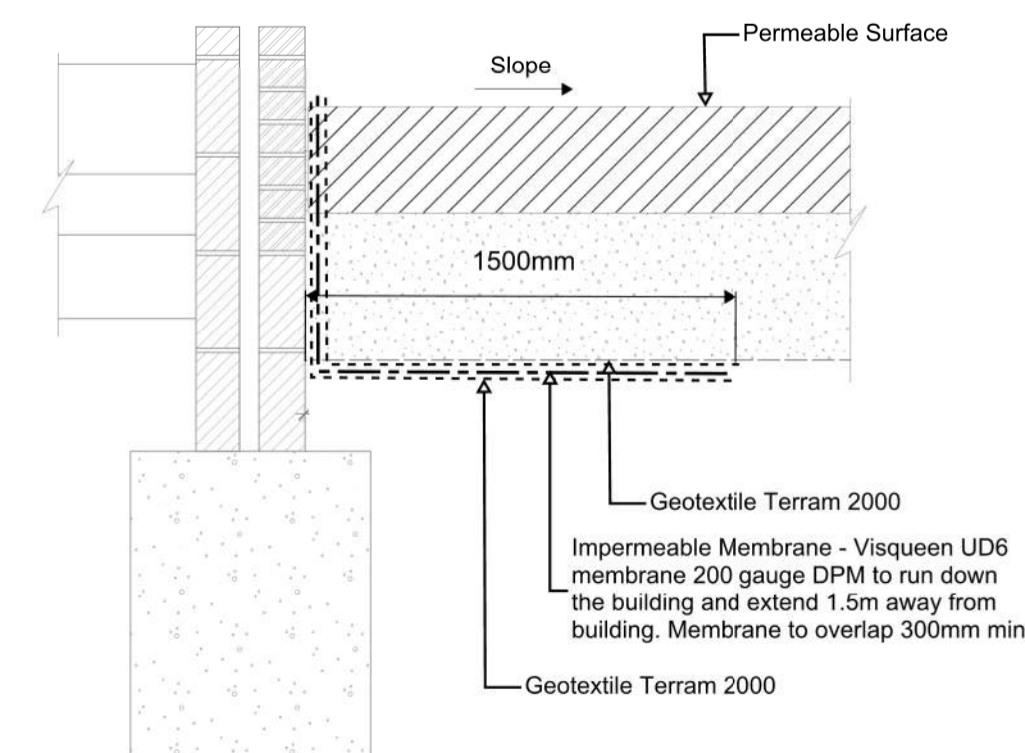


Sited in private garden - No loading

Notes:

- Refer to drawing 8193 for base layouts.

Silt Trap Plastic



Permeable Surface Against Building

Do not scale from this drawing. Refer to figured dimensions only. RIDA Reports Ltd registered in England and Wales No. 10590566. This drawing is copyright of RIDA Reports Ltd.

Drawing Scale Bar			
Drawing scale	Line length	Drawing scale	Line length
1:5	= 0.25 metres	1:200	= 10.0 metres
1:10	= 0.5 metres	1:250	= 12.5 metres
1:20	= 1.0 metres	1:500	= 25.0 metres
1:25	= 1.25 metres	1:1000	= 50.0 metres
1:50	= 2.5 metres	1:1250	= 62.5 metres
1:100	= 5.0 metres	1:2500	= 125 metres

Measure length of line above for checking of scale

GENERAL NOTES

Rev Details Date By Ctd

Drawing Status: PRELIMINARY



4 Bean Acre Road, Hook Norton, Banbury, Oxfordshire
e: info@rida-reports.co.uk
t: 01608 510 121
www.rida-reports.co.uk

Client:

Project:

Land North Of Milton Road, Adderbury

Drawing: Standard Details

Print Size: Project No: Drawing No: Revision:
A1 0202 006 P1