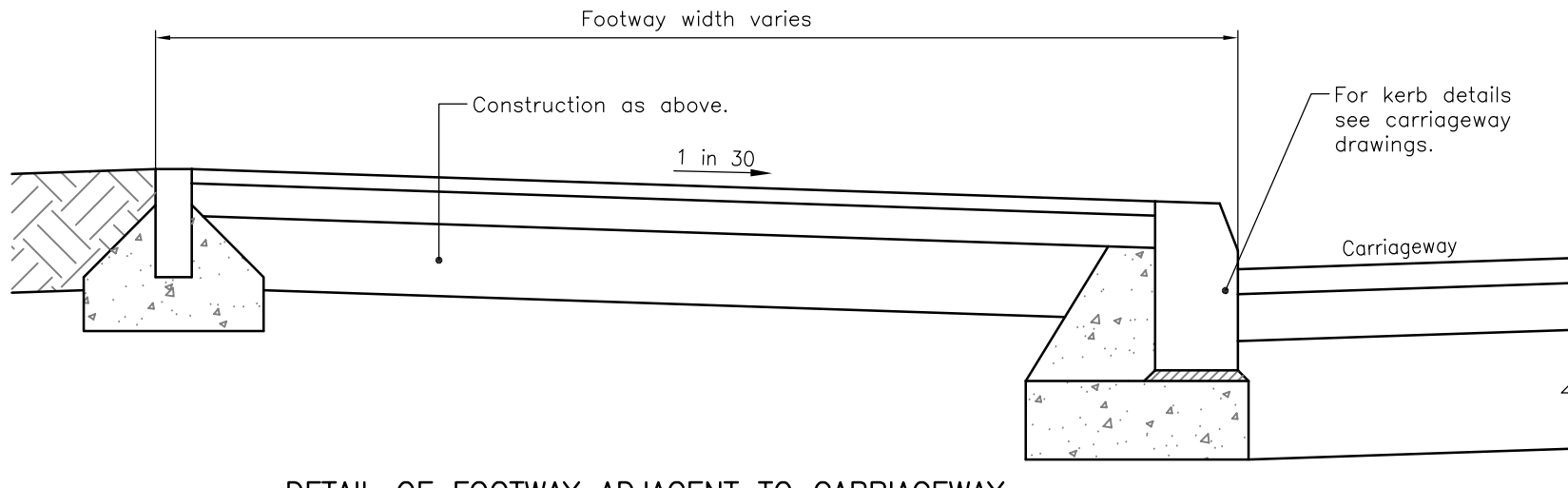


DETAIL OF FOOTWAY REMOTE FROM CARRIAGEWAY



DETAIL OF FOOTWAY ADJACENT TO CARRIAGEWAY

NOTES

1. All dimensions are in millimetres unless shown otherwise.
2. For location of footways, widths, edge details and setting out information see scheme drawings schedules.
3. Sub-base material shall comply with clause 803 or 804 and have a minimum CBR value of 20%.
4. Surface dressing shall comply with clause 919 of the specification and consist of bitumen emulsion binder Type K1-70 (1.5 litres/m²) and 10mm uncoated chippings (7 Kg/m²).
5. Kerbs and edgings shall be laid in accordance with clause 1101.
6. Prior to laying the sub-base material the formation shall be treated with a granular residual herbicide containing Dichlobenil. Application shall comply with manufacturers recommendations.
7. Where specified in Appendix 11/1 a weed suppressing geotextile shall be laid under the sub-base and edging concrete.



Footways: Footway Type 3

Kerbs, Footways & Paved Areas

© Unauthorised reproduction infringes copyright

SCALE

Not to Scale

INITIALS	DATE	
DRAWN	RVA	12.2005
TRACED	ALB	12.2005
CHECKED	AMM	4.2007

INDEX	AMENDMENT	DATE
-	SECOND ISSUE	10.05.08

DRAWING No. **HSD/1100/015** CATEGORY **1**