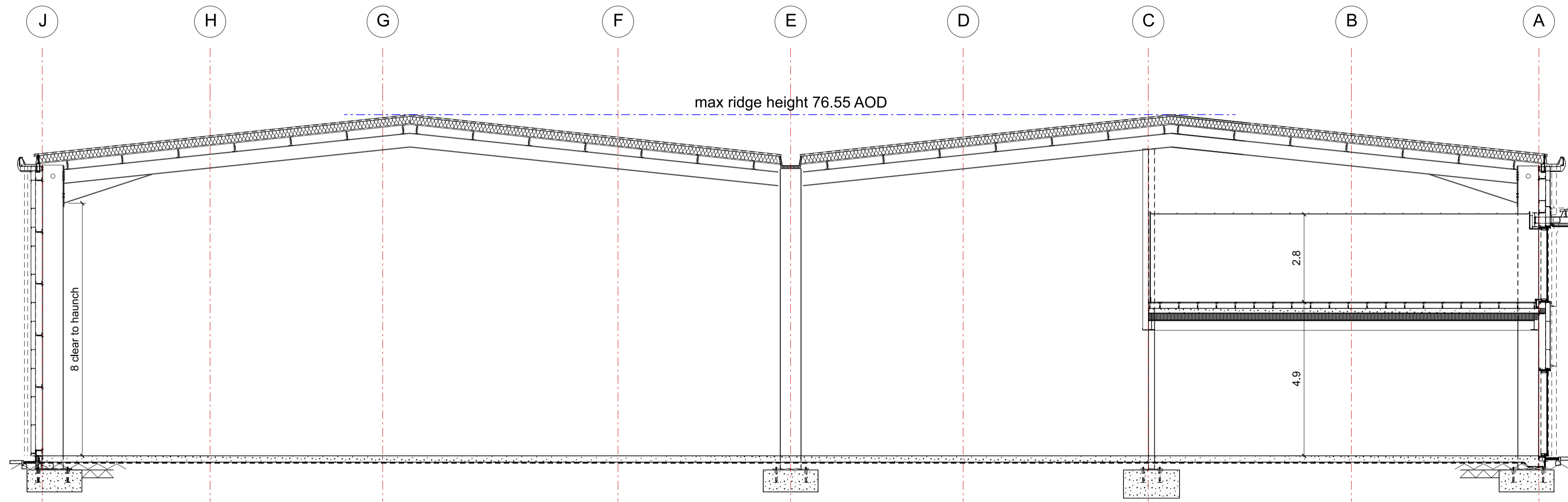


NOTES

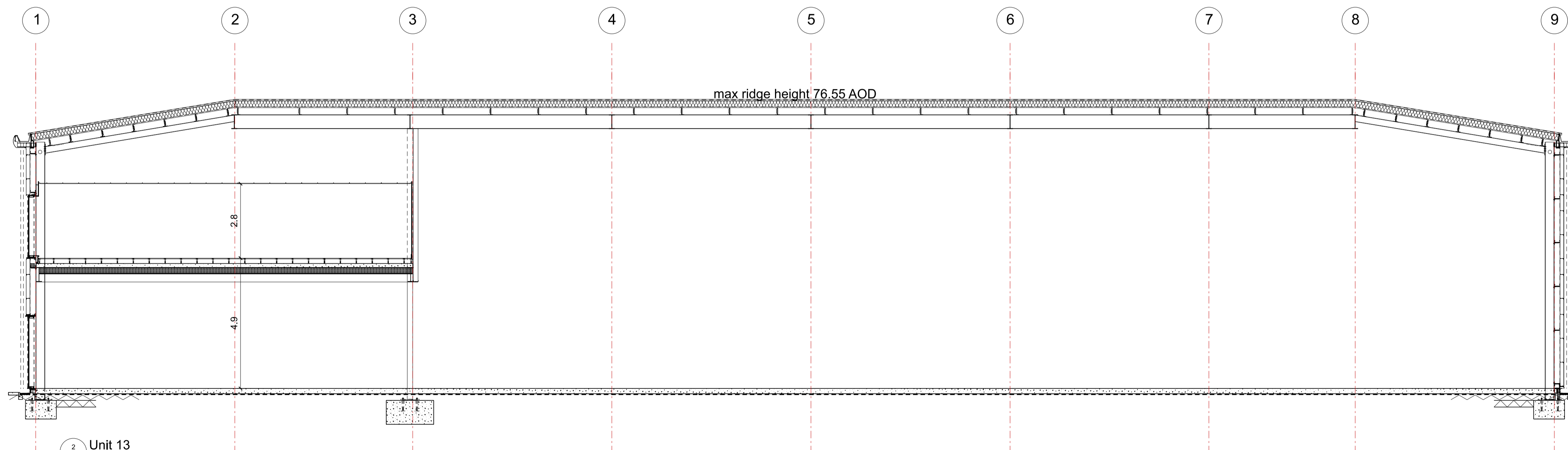
Reproduced from the Ordnance Survey map with the permission of the Controller of Her Majesty's Stationery Office, © Crown Copyright.

C A Cornish & Associates Ltd Licence no LIG0908.

Subject to Statutory Approvals.



1 Unit 13
Short Section



2 Unit 13
Long Section

Rev	Description	Chk	Date

Peer House
8 -14 Verulam Street
London WC1X 8LZ

tel +44(0)20 7400 2120

enquiries@cornisharchitects.com
www.cornisharchitects.com

RIBA
Chartered Practice

cornisharchitects

Project Title:
CATALYST BICESTER RM5

Drawing Title:
UNIT 13 SECTIONS

Drawing Status:
TOWN PLANNING

Scale:
0 1 metres 8

Drawn By:	Scale:	Date:	Chk'd By:
C B	1:100 @ A1	30/05/2022	C S

ALBION LAND

Drawing No:
22011 - TP - 113

Rev:
-