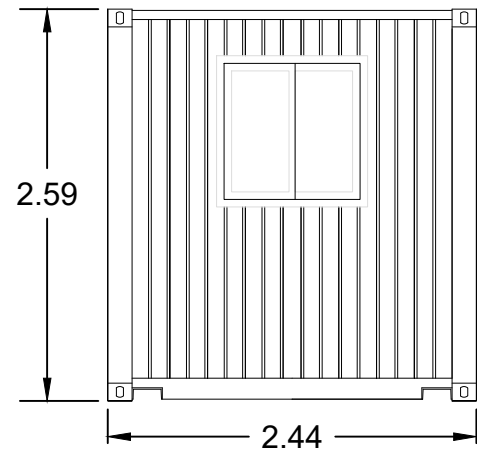
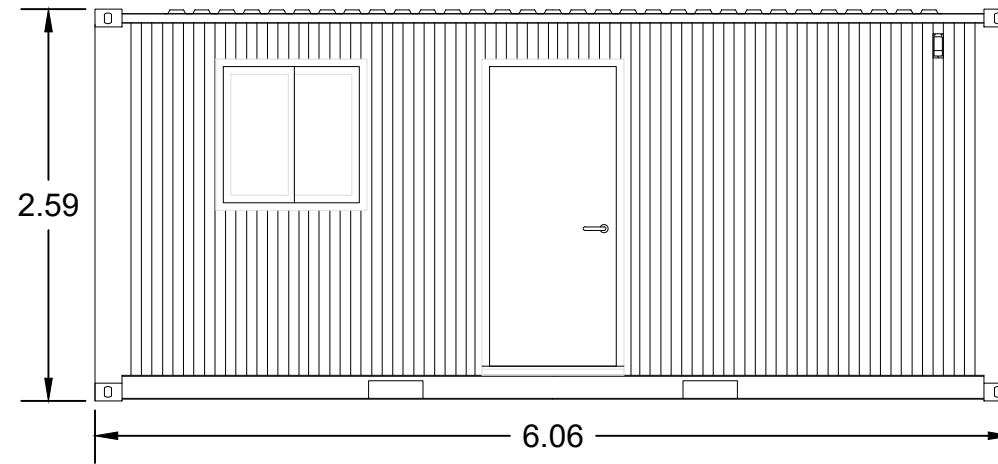


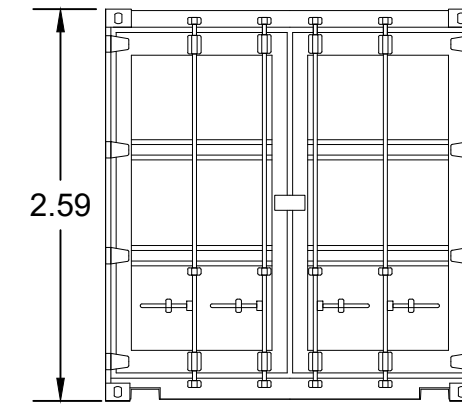
20ft Welfare Container - Front Elevation



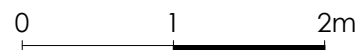
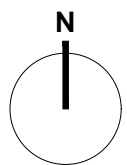
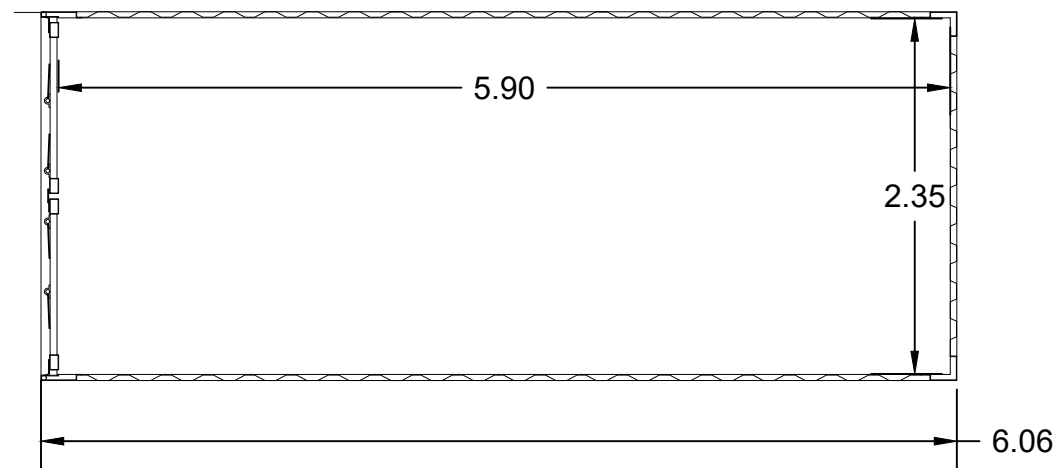
20ft Welfare Container - Side Elevations



20ft Welfare Container - Rear Elevation



20ft Welfare Container - Plan



Project:
Noke Solar Farm

Location:
Land off B4027
Noke
Woodeaton
Oxford
OX3 9TU

Scale:
1:50 @ A3

Title:
20ft Welfare Container
Elevations & Plan

DWG No. : **REV:**

GN-NK-PLA-11 00