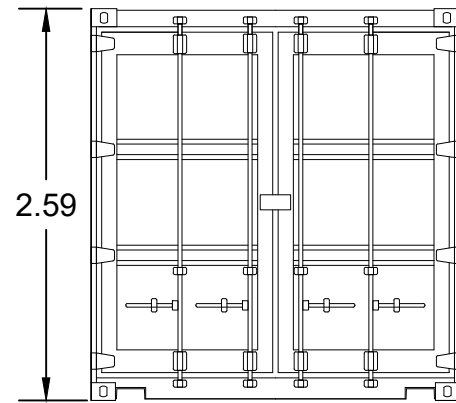
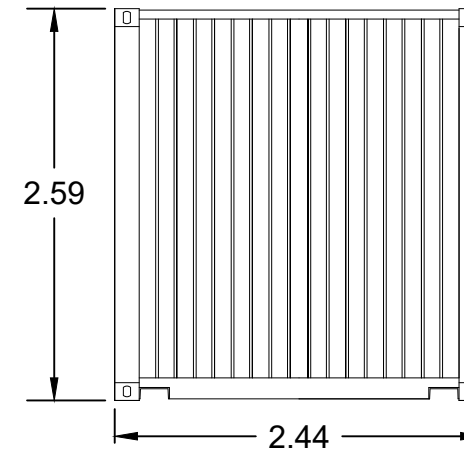


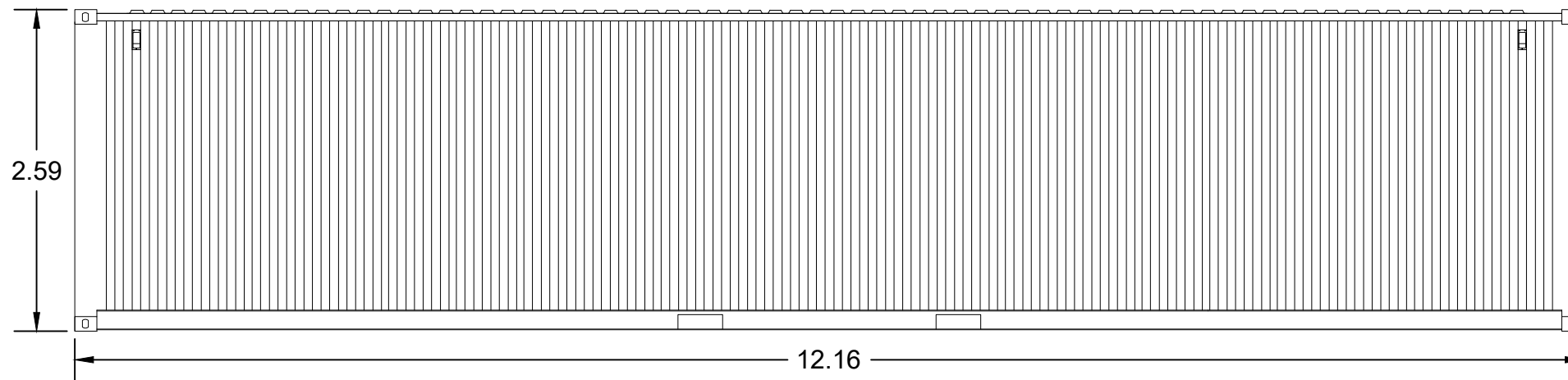
40ft Shipping Container - Front Elevation



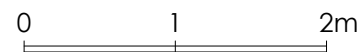
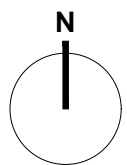
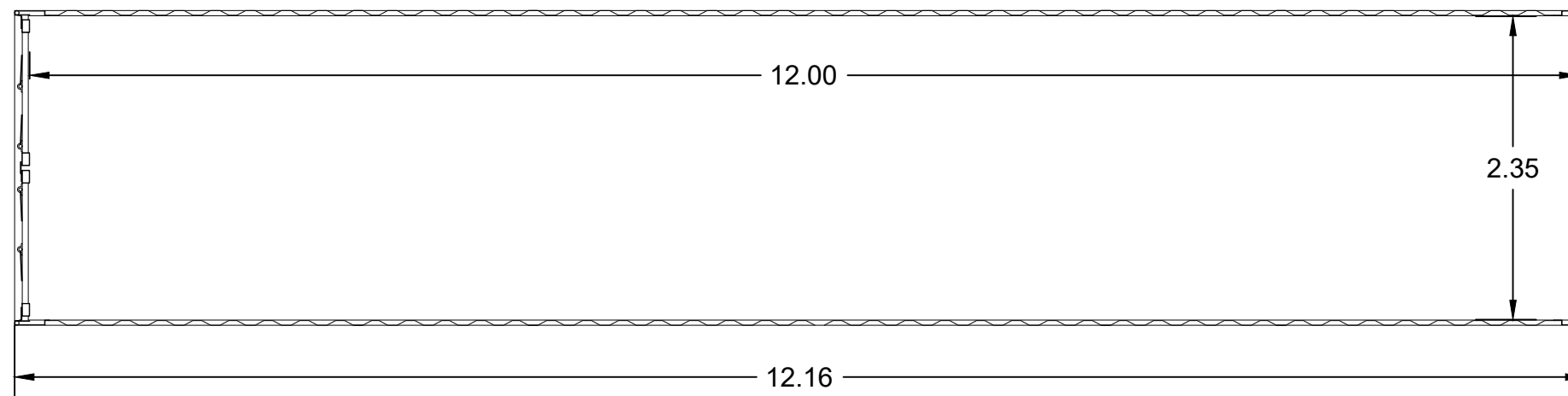
40ft Shipping Container - Rear Elevation



40ft Shipping Container - Side Elevations



40ft Shipping Container - Plan



Project:
Noke Solar Farm

Location:
Land off B4027
Noke
Woodeaton
Oxford
OX3 9TU

Scale:
1:50 @ A3

Title:
40' Spares Container
Elevations & Plan

DWG No. : REV:

GN-NK-PLA-06 00