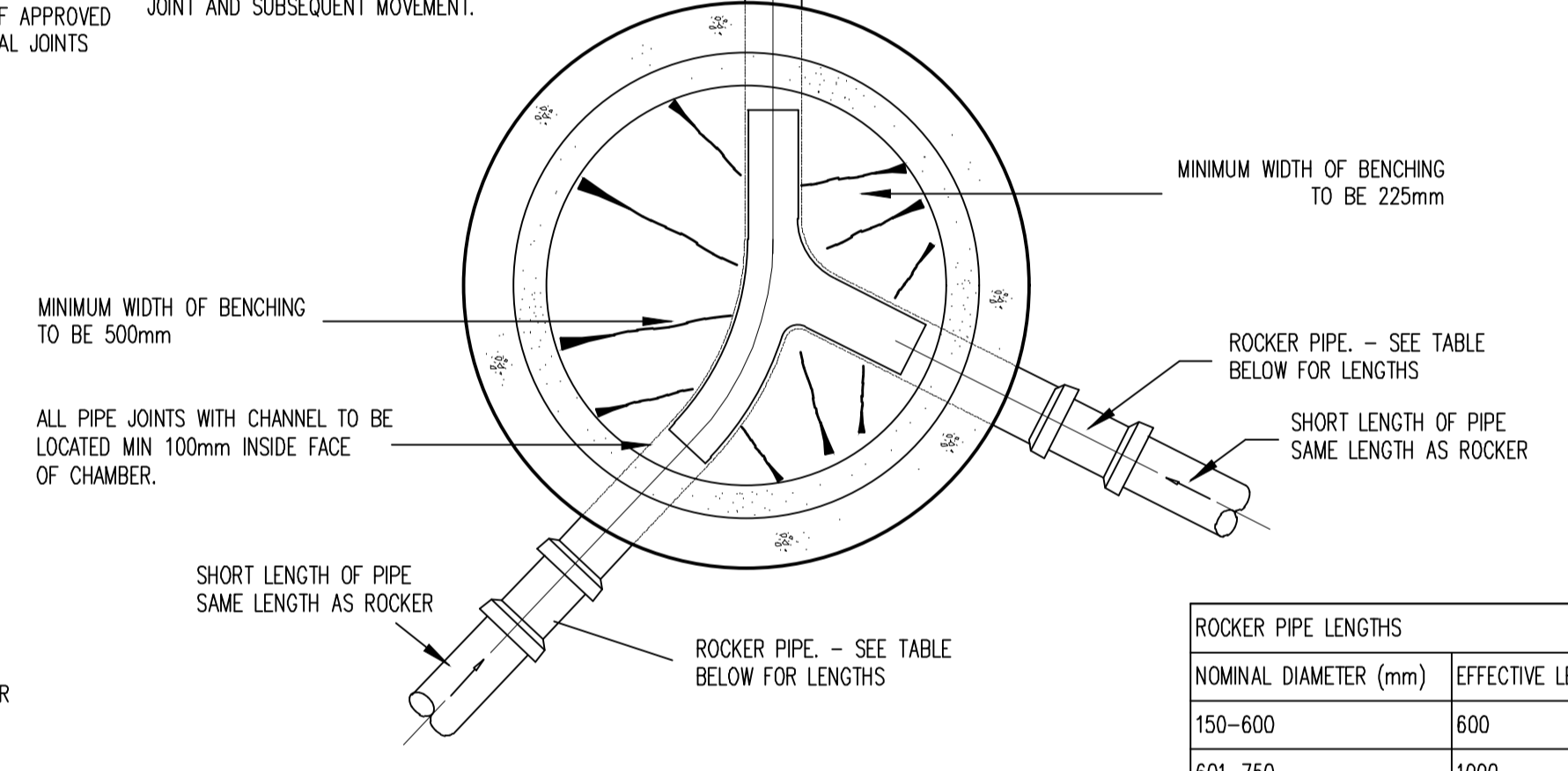
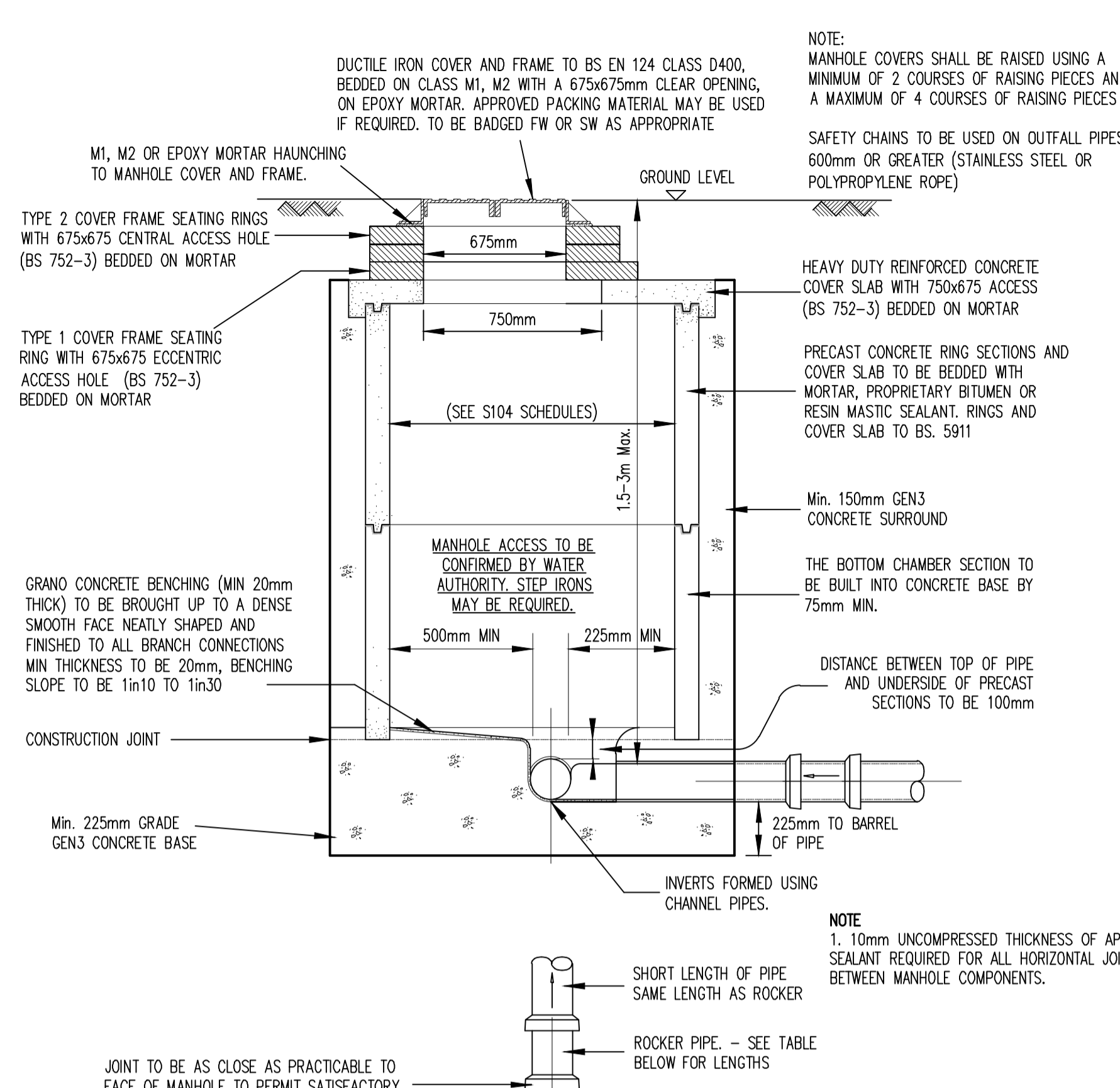
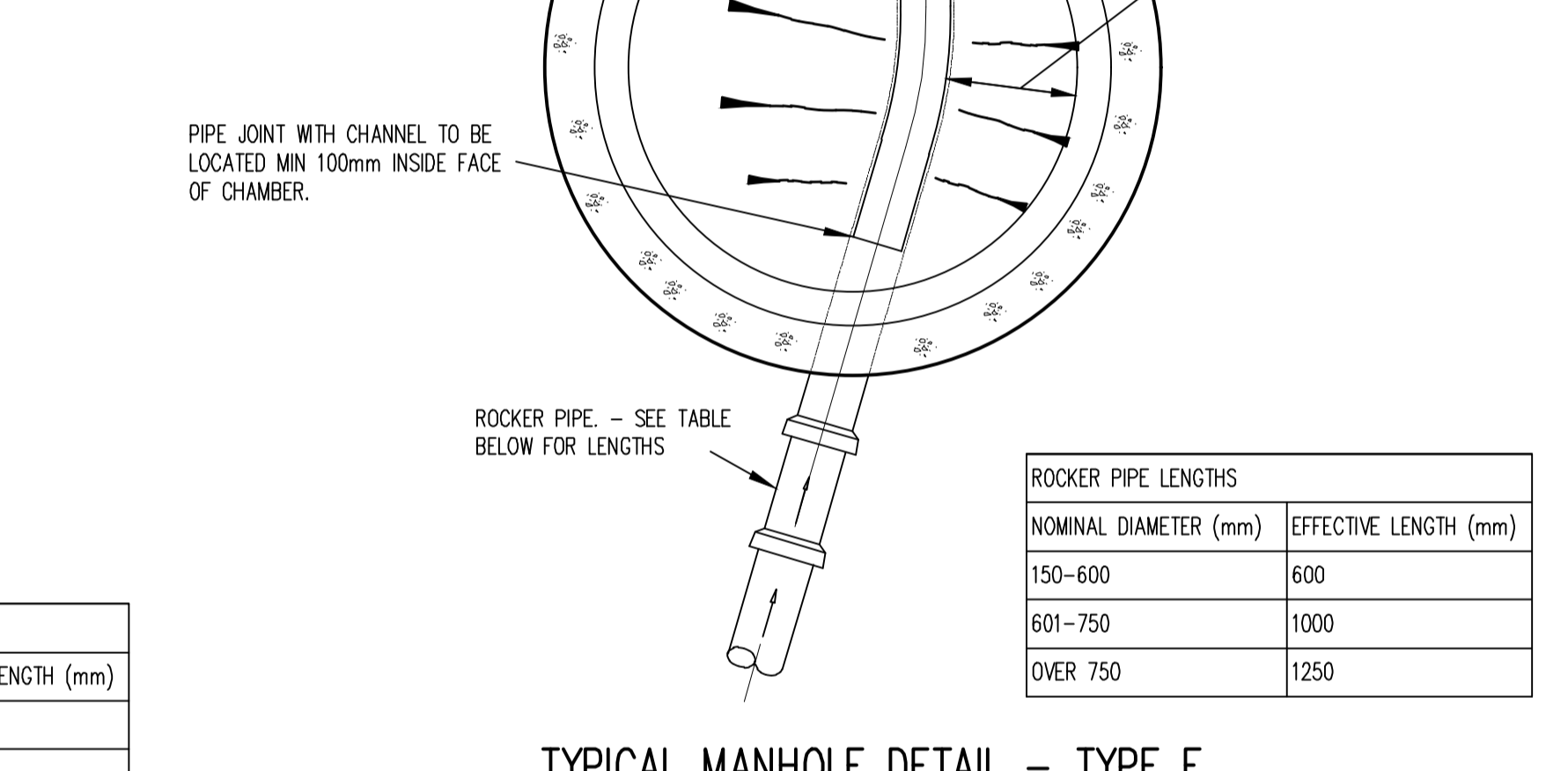
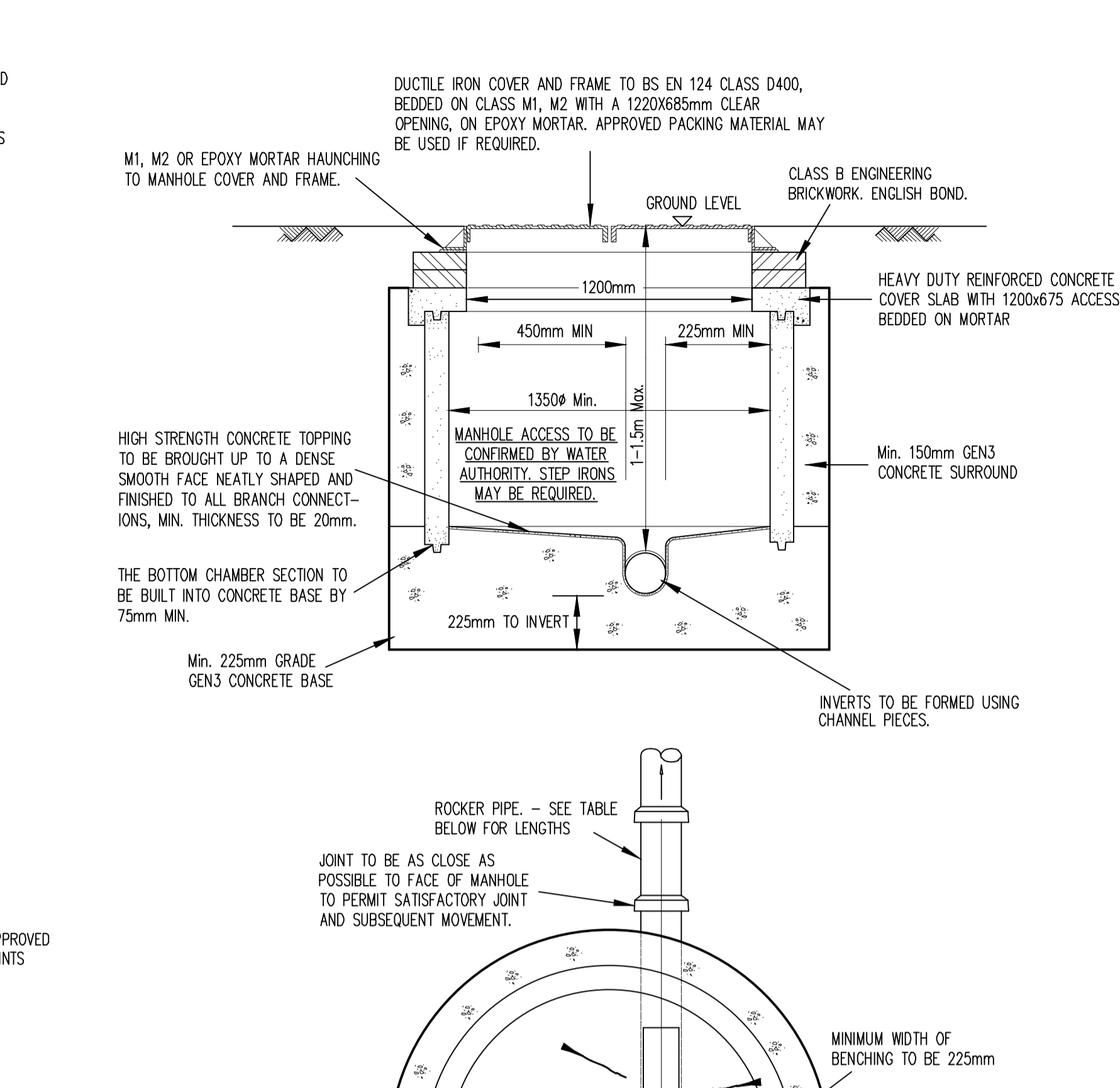


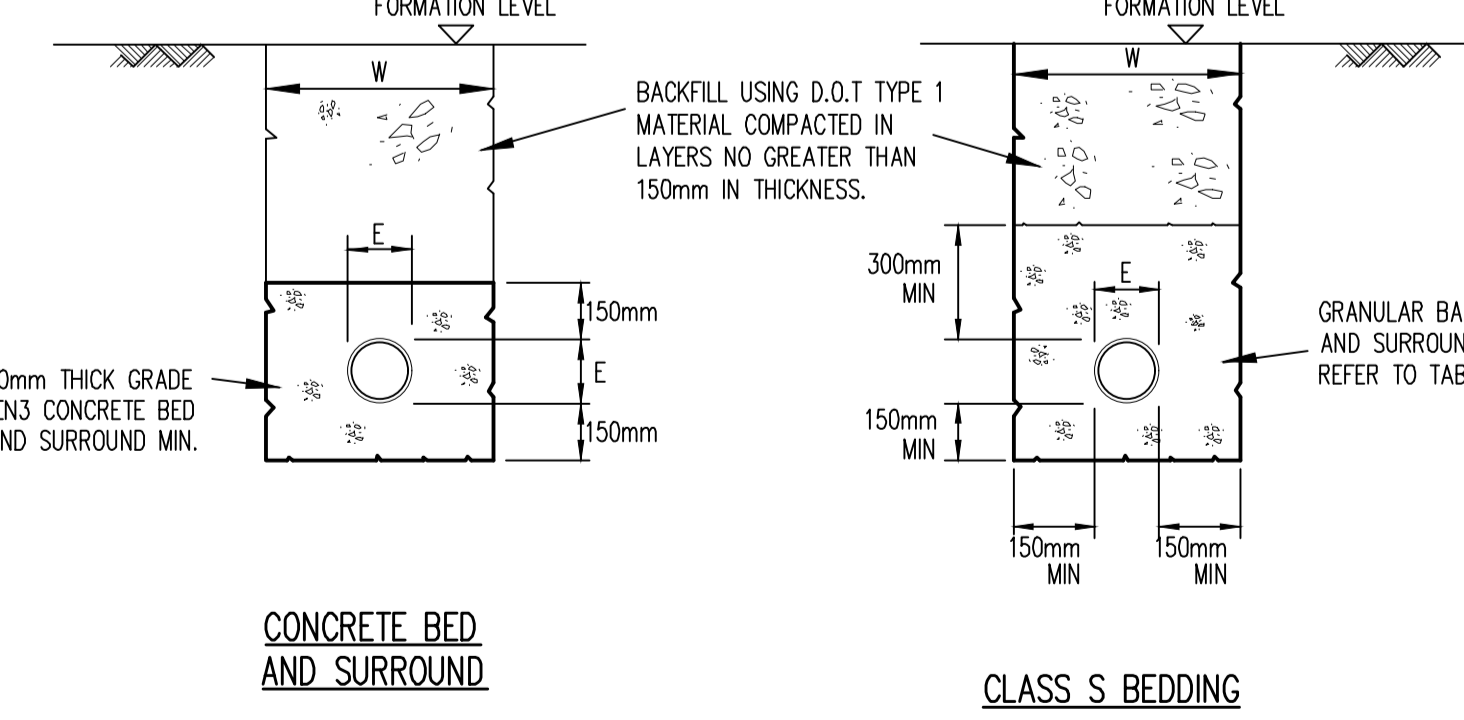
TYPICAL MANHOLE DETAIL - TYPE A
SCALE 1:20



TYPICAL MANHOLE DETAIL - TYPE B
DEPTH FROM COVER LEVEL TO SOFFIT OF PIPE 1.5m TO 3m.
SCALE 1:20



TYPICAL MANHOLE DETAIL - TYPE E
DEPTH FROM COVER LEVEL TO SOFFIT OF PIPE LESS THAN 1.5m.
MAXIMUM PIPE SIZE 450mm DIAMETER.
RIGID MATERIAL CONSTRUCTION.
SCALE 1:20



PIPE BEDDING DETAILS
Scale 1:20

PIPE NOMINAL SIZE (DN) (mm)	NOMINAL MAXIMUM PARTICLE SIZE (mm)	MATERIAL SPECIFIED IN BRITISH STANDARDS
100	10	10mm NOMINAL SINGLE-SIZE
OVER 100 TO 150	15	10 OR 14mm NOMINAL SINGLE-SIZE OR 14mm TO 5mm GRADED
OVER 150 TO 300	20	10, 14 OR 20mm NOMINAL SINGLE-SIZE OR 14mm TO 5mm GRADED OR 20mm TO 5mm GRADED
OVER 300 TO 550	20	14mm OR 20mm NOMINAL SINGLE-SIZE OR 14mm TO 5mm GRADED OR 20mm TO 5mm GRADED
OVER 550	40	14, 20 OR 40mm SINGLE-SIZE OR 14mm TO 5mm GRADED OR 20mm TO 5mm GRADED OR 40mm TO 5mm GRADED

IN ACCORDANCE WITH WS4-08-02 TABLE A1.

NOTE:
1. TRENCH WIDTH (W) =
MAXIMUM - EXTERNAL PIPE DIAMETER (E) + 600MM
MINIMUM - EXTERNAL PIPE DIAMETER (E) + 300MM

- THIS DRAWING SHALL BE READ IN CONJUNCTION WITH ALL RELEVANT ENGINEERS DRAWINGS. ANY DISCREPANCIES FOUND BETWEEN INFORMATION SHOWN ON THIS OR ANY OTHER DRAWING SHALL BE REPORTED TO THE ENGINEER IMMEDIATELY AND PRIOR TO WORKS COMMENCING ON SITE.
- TYPE A GRANULAR BEDDING SHALL CONSIST OF 14mm SINGLE SIZED PEA SHINGLE TO TABLE 1 OF BS 882 PART 2 1973.
- WHERE CONCRETE BED AND SURROUND IS SPECIFIED JOINT FILLER SHOULD BE PROVIDED AT EVERY JOINT. THE FILLER MAY BE EXPANDED POLYSTYRENE 25mm THICK OR FLEXIBLE CUT TO THE SHAPE OF THE BED AND SURROUND AND SUCH THAT THE INGRESS OF CONCRETE INTO THE PIPE IS PREVENTED.
- TO ALLOW FOR POSSIBLE DIFFERENTIAL MOVEMENT A FLEXIBLE JOINT MUST BE INCORPORATED IN EACH SECTION OF PIPELINE WITHIN 150mm OF WHERE IT ENTERS A BUILDING OR CONNECTS WITH A MANHOLE, WALL OR OTHER STRUCTURE - SEE MANUFACTURERS INSTRUCTIONS.
- ALL PIPEWORK GENERALLY TO BE BEDDED AS FOLLOWS:
 - (i) UNDER VEHICULAR AREAS WHERE COVER IS LESS THAN 1200mm
 - (ii) UNDER VEHICULAR AREAS, PEDESTRIAN AREAS WHERE DEPTHS GIVEN IN (i) ARE EXCEEDED;
- ALL CONCRETE AT OR BELOW GROUND LEVEL ON SITE SHALL BE ABLE TO WITHSTAND SULPHATE CONCENTRATIONS IN ACCORDANCE WITH THE BRE SPECIAL DIGEST 1.
- MANHOLES COVERS AND FRAMES TO BS EN124, CLASSES ARE AS FOLLOWS:
CARRIAGEWAYS/PARKING AREAS - CLASS D400
FOOTWAYS/PEDESTRIAN AREAS - CLASS B125
AND REAR GARDENS
- WHERE THERE IS ANY DOUBT THE STRONGER CLASS SHOULD BE SELECTED.
- ALL ADAPTABLE DRAINAGE WORKS TO BE UNDERTAKEN STRICTLY IN ACCORDANCE WITH WATER AUTHORITIES REQUIREMENTS AND DESIGN AND CONSTRUCTION GUIDANCE FOR DESIGN OF FOUL AND SURFACE WATER SEWERS OFFERED FOR ADOPTION UNDER CODE FOR ADOPTION AGREEMENTS.
- ALL ADAPTABLE PIPEWORK SHALL BE RESISTANT TO A JETTING PRESSURE OF 4000PSI. REFER TO LONGITUDINAL SECTIONS FOR ACTUAL SIZES.
- PIPEWORK UPTO AND INCLUDING 300mm SHALL BE VITRIFIED CLAY EXTRA STRENGTH. PIPEWORK OVER 300mm SHALL BE CONCRETE CLASS 'H'.
- STREET FURNITURE SHOULD NOT BE PLACED DIRECTLY OVER WATER AUTHORITY APPARATUS.

ALL ADAPTABLE DRAINAGE WORKS SHALL BE UNDERTAKEN STRICTLY IN ACCORDANCE WITH 'SEWERAGE SECTOR GUIDANCE' AND ASSOCIATED 'DESIGN AND CONSTRUCTION GUIDANCE'.

T1	Apr 22	TENDER ISSUE.	AJV	-
REV	DATE	DESCRIPTION	BY	CHK

STATUS
TENDER

This drawing is the property and copyright of the Consulting Engineer and shall not without written consent be communicated to a third party.



SITE
SIBFORD FERRIS BANBURY

FILE
S104 Drainage Construction Details

SDP CONSULTING ENGINEERS
Head Office, Suite 3, Salar House, Campfield Road, St Albans, Hertfordshire, AL1 3HT. Tel: 01727 844606. Fax: 01727 830771. Email: mail@sdpec.co.uk
Southern Office, 21a Bargates, Christchurch, Dorset, BH23 1QD. Tel: 01727 844606. Fax: 01202 490601. Email: sdpsouth@sdpec.co.uk

SCALE AT	DRAWN	DATE
See Drg	AJV	Mar 22
	CHECKED	PASSED

DRAWING NO.	REV.
E21-077-165	T1