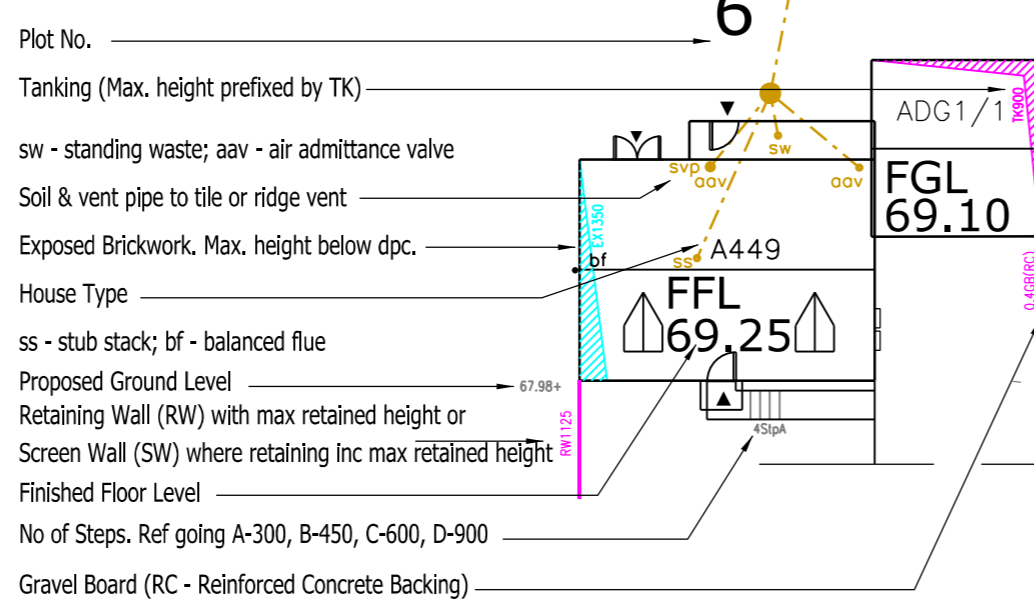


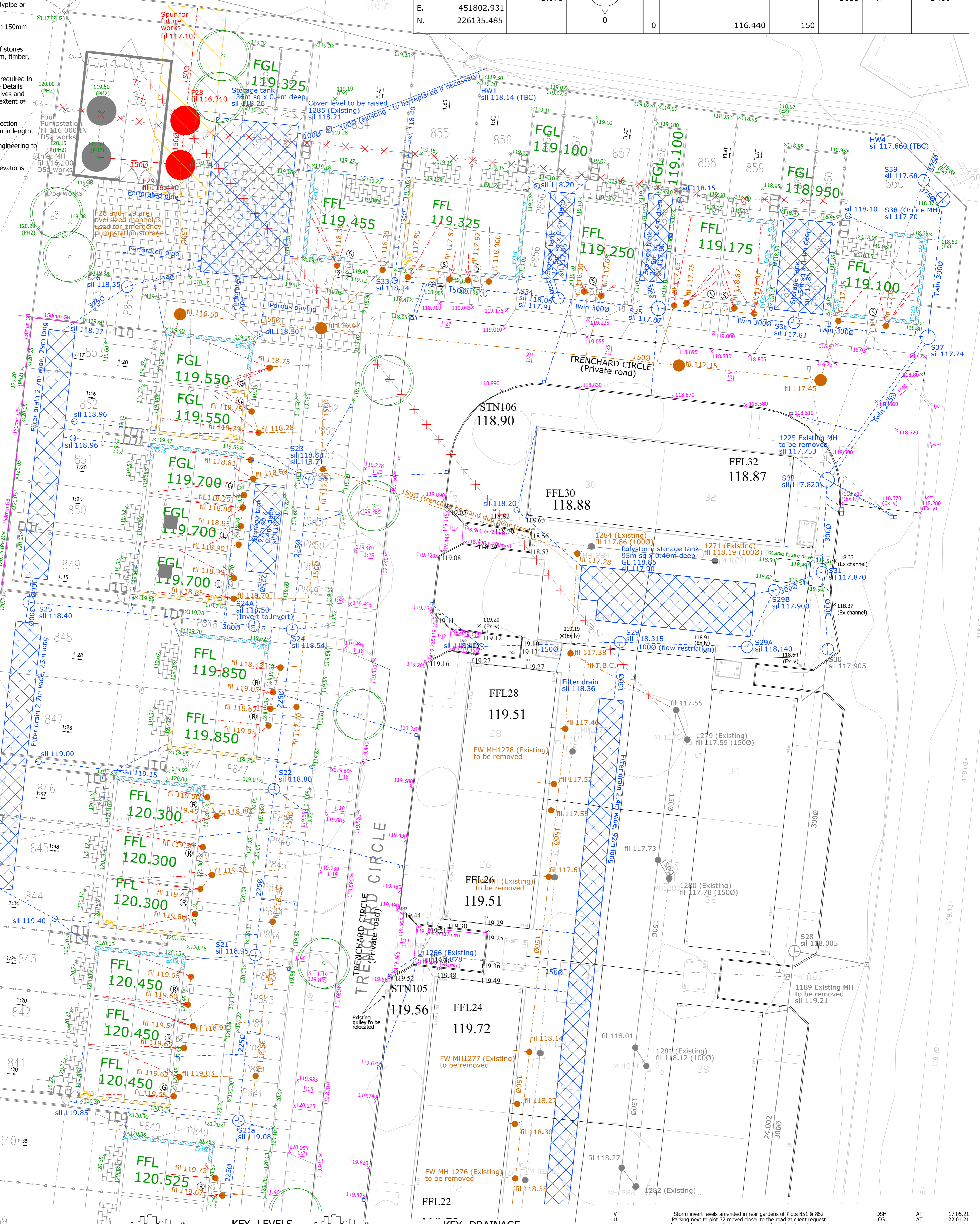
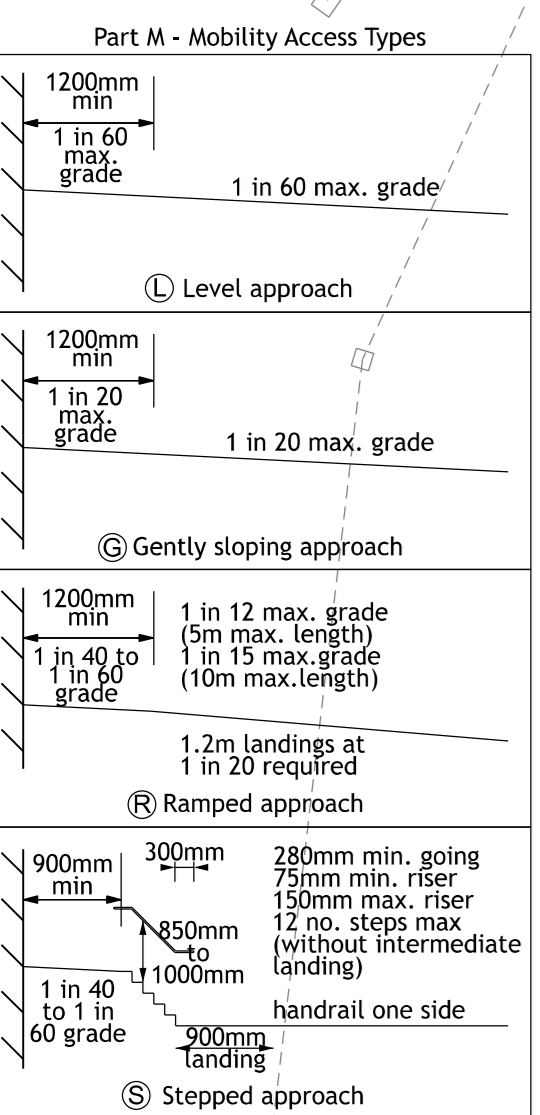
**NOTES**

- Contractors must check all dimensions on site. Only figured dimensions are to be worked from. Discrepancies must be reported to the architect or engineer before proceeding. © This drawing is copyright.
  - Reproduced from OS Sitemap © by permission of Ordnance Survey® on behalf of The Controller of Her Majesty's Stationery Office. © Crown copyright 2008. All rights reserved. Licence number 100007126.
  - Until technical approval has been obtained from the relevant authorities, all drawings are issued as preliminary and not for approval. Should the contractor commence site work prior to approval being given it is entirely at his own risk.
- Notes
- All connections to adoptable manholes from private building drainage to be 150mm diameter pipes unless otherwise specified.
  - All house drainage to be 100mm dia unless otherwise stated, and laid in accordance with current Building Regulations and BS8301 : 1985.
  - All private drainage products are to be Polypipe or similar approved.
  - Pipe bedding material is to be Class S with 150mm minimum thickness surround.
  - Backfill is to be with selected fill free of stones larger than 40mm, lumps of clay over 100mm, timber, frozen material and vegetable matter.
  - Pipe protection of house drainage runs is required in accordance with the Typical House Drainage Details drawing. The contractor shall satisfy themselves and agree with the Site Management the actual extent of pipe protection required.
  - Pipes entering and leaving manholes/inspection chambers shall include a rocker pipe, 600mm in length.
  - Brickwork to chambers shall be Class B Engineering to BS3921.
  - Rainwater pipes are to be sited on side elevations whenever possible.



**ADOPTABLE MANHOLE SCHEDULE**

Manhole Number	Cover Level	Connections	Pipe		Manhole Size	Types	
			Code	Inverts		Manhole	Cover
F28 Emergency storage MH	119.500		1	116.310	3000	Type 1B	D400
	3.040		2	116.310			
	0		0	116.310			
F29 Emergency storage MH	119.500		1	116.440	3000	Type 1B	D400
	3.070		2	116.440			
	0		0	116.440			



**KEY- LEVELS**

- FFL 121.050 Proposed Finished Floor Level
- Proposed external levels
- Proposed slope (1:3 max)
- Exposed brickwork
- Double DPC
- Tanking
- Proposed Tree
- Carriageway Overlay Levels

**KEY- DRAINAGE**

- F1 Proposed Foul Manhole
- S1 Proposed Surface Water Manhole (1200mm Diameter)
- Proposed Gully
- Medium Foul I.C. (450mm dia. Depth to invert 600-1000mm)
- Non Entry I.C. (330mm dia. Depth to invert 1000-3000mm)
- Medium Surface Water I.C. (450mm dia. Depth to invert 600-1000mm)
- Non Entry I.C. (330mm dia. Depth to invert 1000-3000mm)
- Rodding Eye
- Adopting Water Company Drainage maintenance strip

Revision	Description	Drawn	Checked	Date
U	Storm invert levels amended in rear gardens of Plots 851 & 852	DSH	AT	17.05.21
U	Parking next to plot 32 moved closer to the road at client request	CG	AT	22.01.21
A	Level raising levels on northern road imported from sketch and drive added	AT	AT	13.01.21
T	Carriageway overlay levels in vicinity of existing bungalows added	DSH	AT	09.12.20
R	PLOT 854 - 860 FFL's and external levels amended. Bungalow foul drainage amended	DSH	AT	07.08.20
P	Layout updated	DSH	AT	30.06.20
N	Addition of 'Mobility Access Type' key	BA	AT	05.05.20

**Woods Hardwick**  
Architects, Engineers and Development Consultants

15-17 Goldington Road  
Bedford  
MK40 3NH  
United Kingdom  
T. +44 (0)1234 268662  
F. +44 (0)1234 253034  
mail@woods-hardwick.com  
www.woods-hardwick.com

Title: **UPPER HEYFORD**

Details: **TRENCHARD CIRCLE PROPOSED ENGINEERING LAYOUT SHEET 1**

Scale: A1-1:200 Date: JULY 2014 Drawn: AT Chk: JF

Please consider the environment before printing this drawing  
Filepath:

HEYF-5-900 V