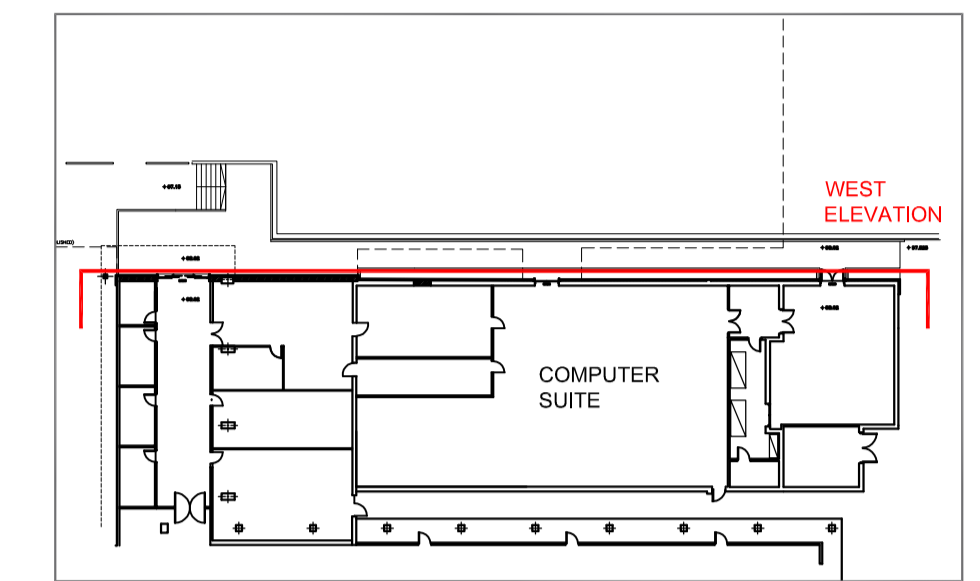


General Notes

The drawing is copyright of Darling Associates. This drawing shall not be scaled. All dimensions are in mm unless otherwise stated. All dimensions shall be checked on site prior to commencing the works and any discrepancies to be reported to Darling Associates. All works shall conform to the current edition of the building regulations and other statutory requirements. All materials and workmanship shall conform with the relevant British Standard specifications and codes of practice. If this drawing forms part of an application for planning permission, it shall not be used for any other purpose without the express permission of Darling Associates. This drawing may incorporate information from other professionals. Darling Associates cannot accept responsibility for the integrity and accuracy of such information. Any clarification and/or additions that are required appertaining to such information should be sought from the relevant profession or their appointment representative.

Drawings, specifications and schedules are to be read in conjunction with the following where applicable: Employer's Requirements documents, Agreements to Lease, Structural Engineer's drawings and specifications, Civil Engineer's drawings and specifications, Survey Drawings, Party Wall Boundary Awards, Other specialist design consultant's requirements as appointed by the Main Contractor, Other specialist design sub-contractor's requirements as appointed by the Main Contractor.

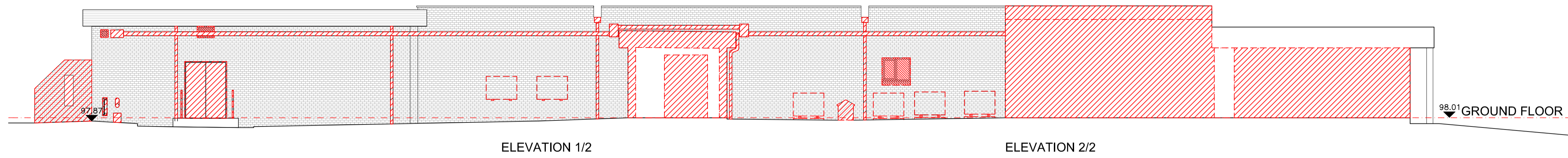
Key Plan



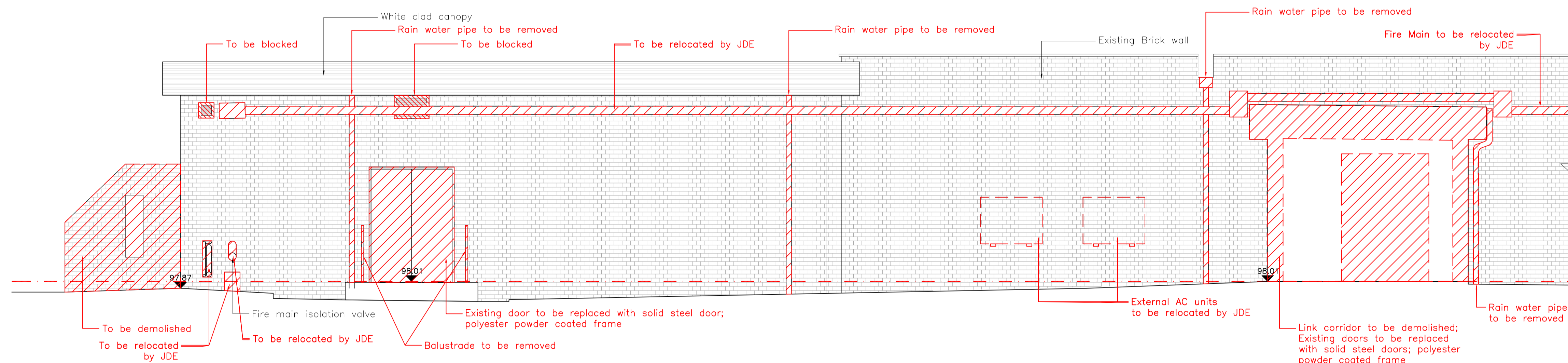
Notes

KEY:

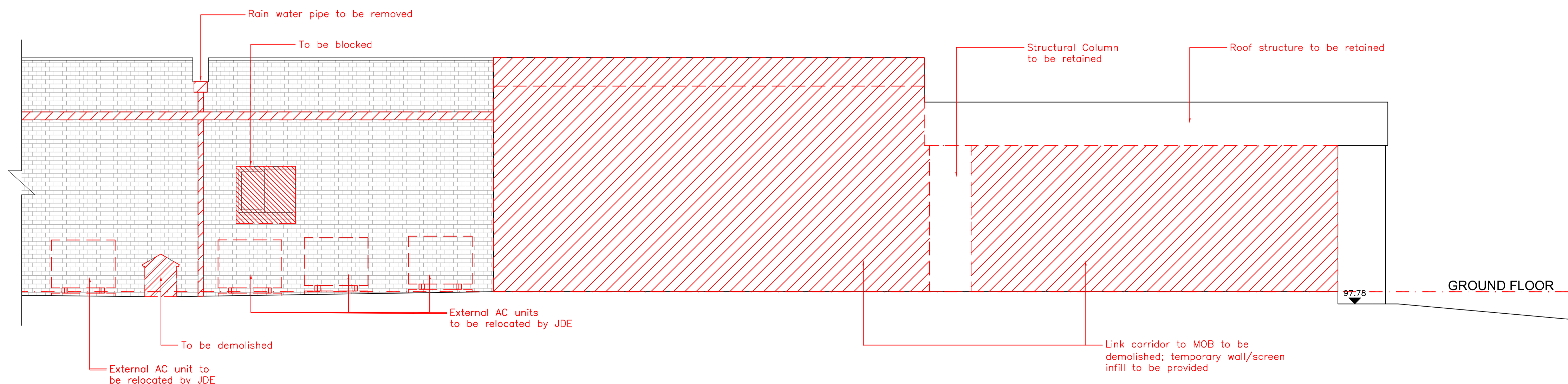
Denoted elements to be removed



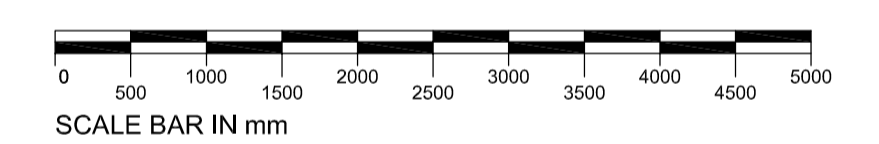
1 WEST ELEVATION KEY
SCALE 1:100@A1



2 WEST ELEVATION 1/2
SCALE 1:50@A1



3 WEST ELEVATION 2/2
SCALE 1:50@A1



PL1	Issued for Planning	11.10.2019	NA	GW
REV	NOTES	DATE	BY	AUTH

DARLING ASSOCIATES ARCHITECTS

1 Greencoat Row London SW1P 1DH UK
mail@darlingassociates.net
www.darlingassociates.net
+44 20 7630 0500

DRAWING STATUS

Planning

TITLE
Demolition works to CS West Elevation

PROJECT
Ruscote Avenue, Banbury

SCALE AT A1: Various
SCALE AT A3: Various

JOB NO. 16061
DRAWING (02)-CS-E-001
REV PL1

© Darling Associates Ltd.