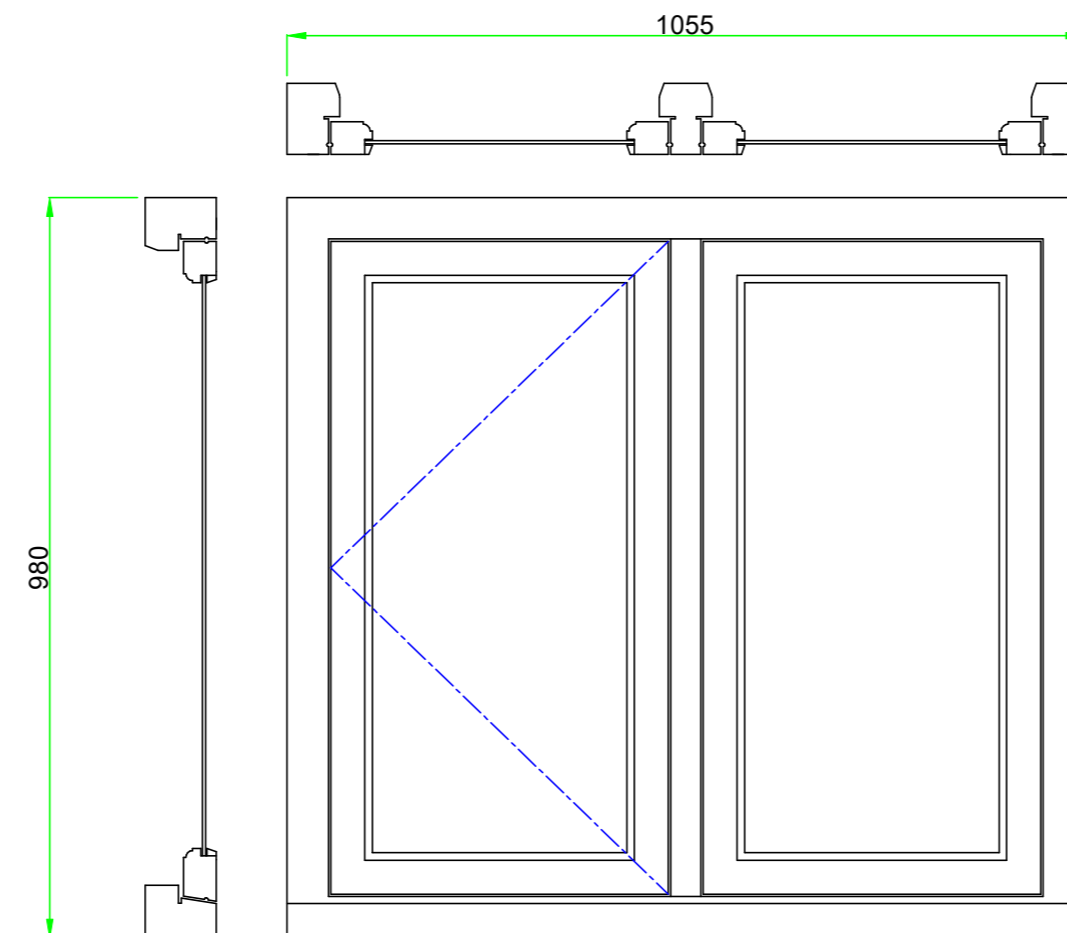
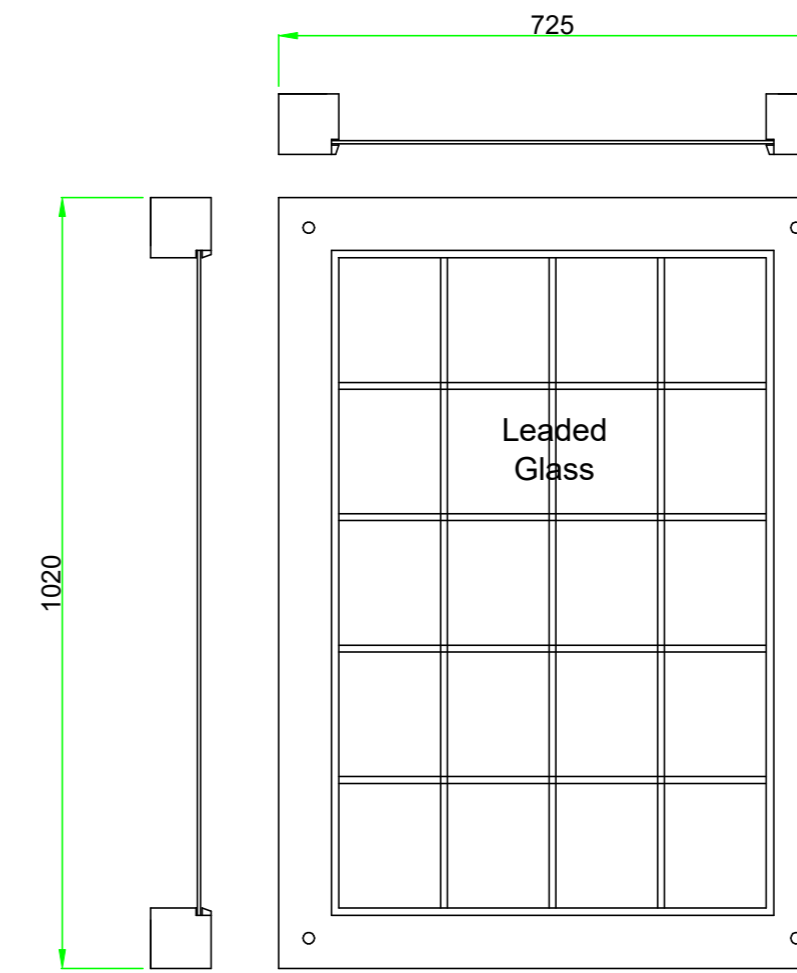


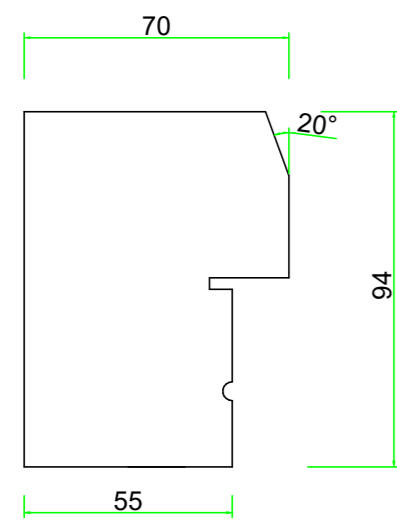
W1 Elevation & Section Through
Scale 1:10 (@A2)



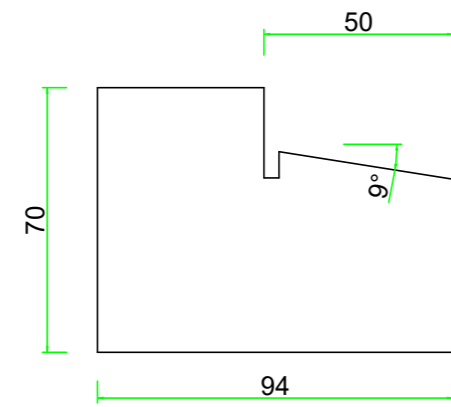
W2 Elevation & Section Through
Scale 1:10 (@A2)



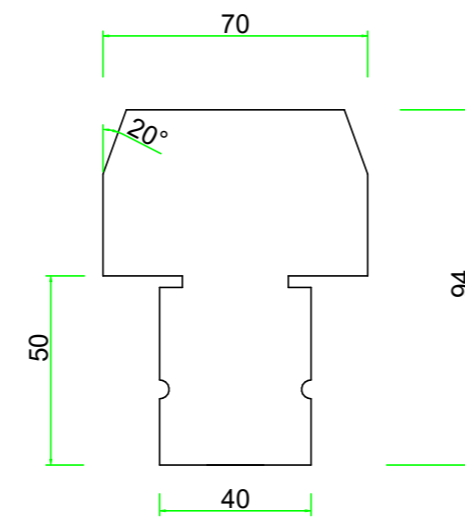
W3 Elevation & Section Through
Scale 1:10 (@A2)



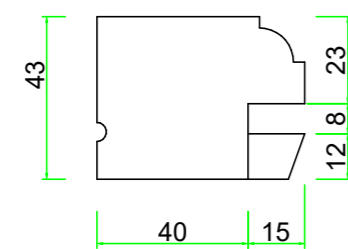
Frame Jamb and Head
Section



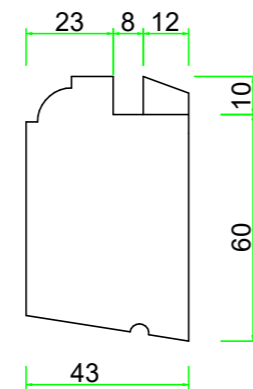
Frame Cill Section



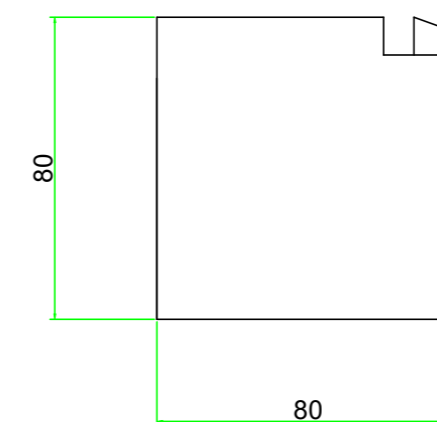
Frame Mullion Section



Casement Stile and Top Rail
Section



Casement Bottom Rail
Section



Frame Section

W1 & W2 Frame & Casement Sections
Scale 1:2 (@A2)

W3 Frame & Casement Sections
Scale 1:2 (@A2)

Rev - Date - Details

Client & Site:
Aysha Majid
Bartlett Cottage
Sibford Gower

Job No. & Date:
461 - Nov 2021

TITLE:
Window W1, W2 & W3