

PUMP STATION MAINTENANCE VEHICLE

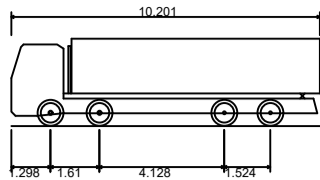


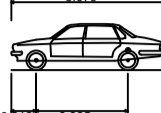
PUMP STATION MAINTENANCE VEHICLE



PUMP STATION LARGE CAR

DESIGN VEHICLE

	
Large Tipper	10.201m
Overall Length	2.455m
Overall Width	2.860m
Max Body Height	0.341m
Min Body Ground Clearance	2.471m
Track Width	1.831m
Lock to lock time	6.00s
Kerb to Kerb Turning Radius	11.550m

	
Large Car (2006)	5.079m
Overall Length	1.872m
Overall Width	1.525m
Max Body Height	0.310m
Min Body Ground Clearance	1.831m
Track Width	1.831m
Lock to lock time	4.00s
Kerb to Kerb Turning Radius	5.900m

REVISIONS

Rev	Date	Description	By	Ckd	App
P03	21/04/2022	Swept paths of 2 cars passing provided on allotment access road	RAP	JD	RAP
P02	29/09/2021	Red line boundary added.	JD	RJP	RJP
P01	16/09/2021	First Issue	RAP	JD	RAP

Rev	Date	Description	By	Ckd	App
P03	21/04/2022	Swept paths of 2 cars passing provided on allotment access road	RAP	JD	RAP
P02	29/09/2021	Red line boundary added.	JD	RJP	RJP
P01	16/09/2021	First Issue	RAP	JD	RAP

Hydrock OVER COURT BARN
OVER LANE
ALMONDSBURY
BRISTOL
BS32 4DF
t: +44 (0) 1454 619533
e: bristol@hydrock.com

CLIENT
PERSIMMON HOMES
SOUTH MIDLANDS

PROJECT
WYKHAM PARK FARM,
BANBURY

TITLE
PUMPING STATION
SWEEP PATH ANALYSIS

HYDROCK PROJECT NO. C-23839-C	SCALE @ A1 1 : 500	STATUS S2
STATUS DESCRIPTION PLANNING	DRAWING NO. (PROJECT CODE-ORIGINATOR-ZONE-LEVEL-TYPE-ROLE-NUMBER) WPF-HYD-XX-XX-DR-C-2604	REVISION P03