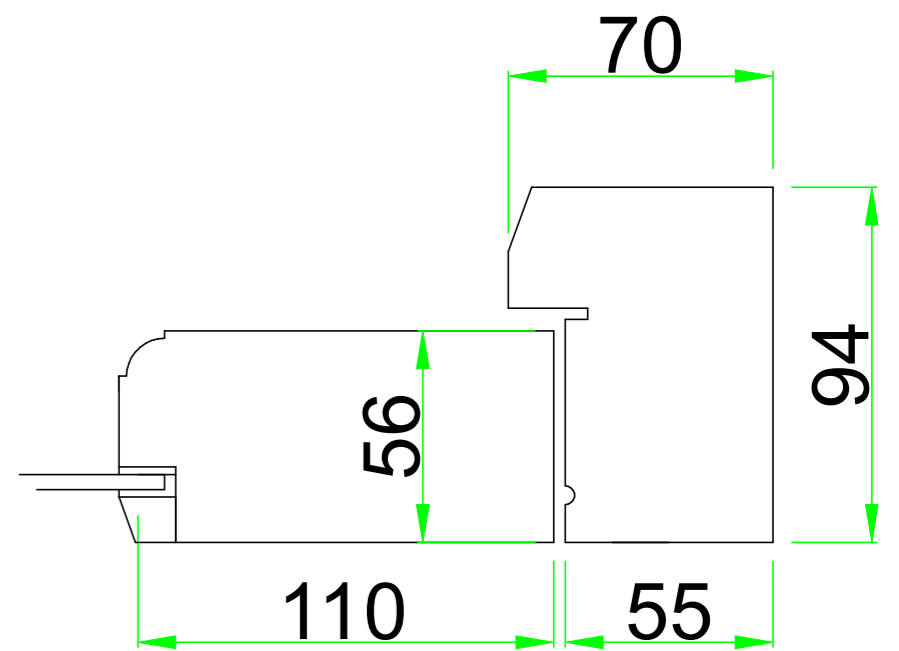
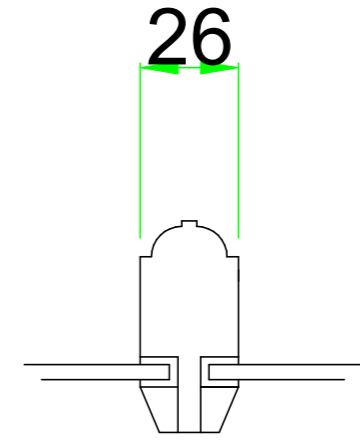
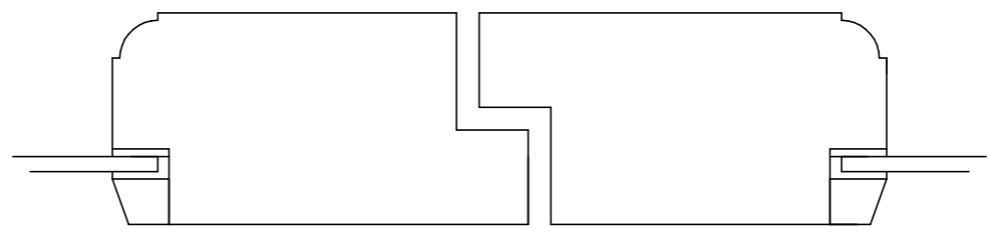
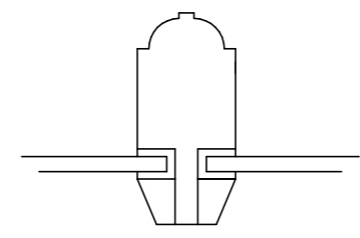
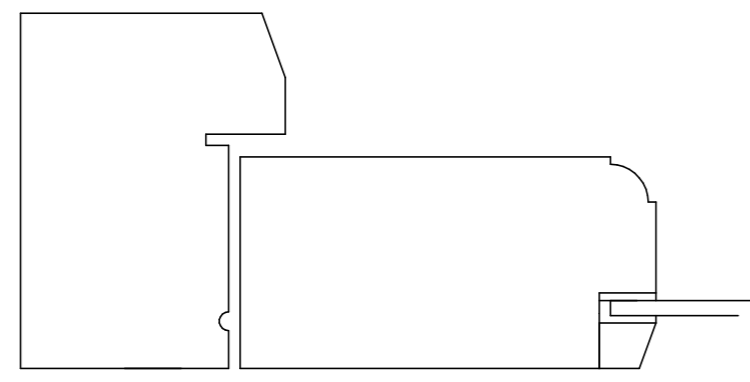
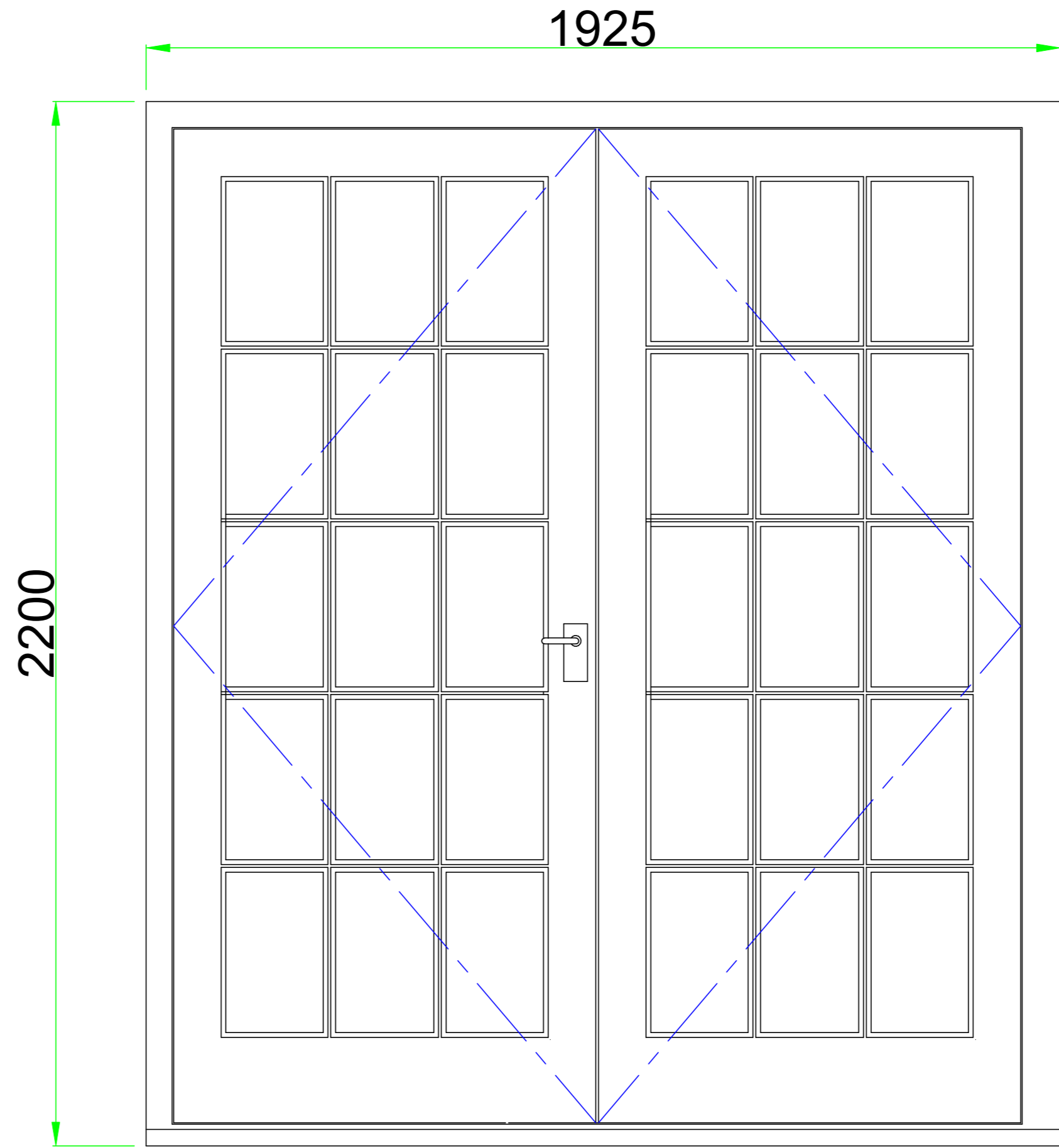


Section Through Elevation
Scale 1:2 (@A2)



Section Through Plan
Scale 1:2 (@A2)



Elevation
Scale 1:10 (@A2)

Rev - Date - Details

Client & Site:
Aysha Majid
Bartlett Cottage
Sibford Gower

Job No. & Date:
461 - Nov 2021

TITLE:
Door D2