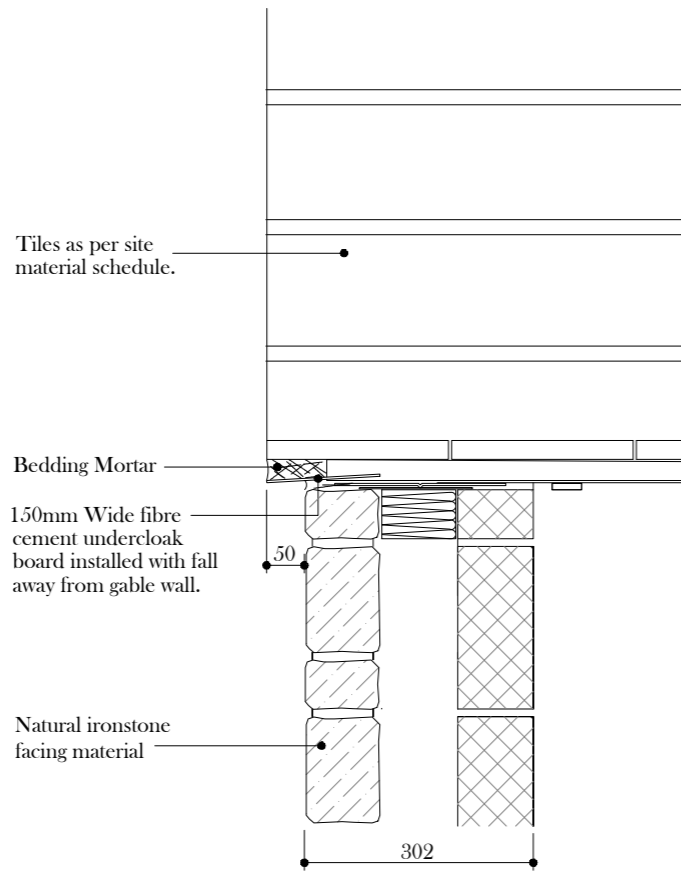
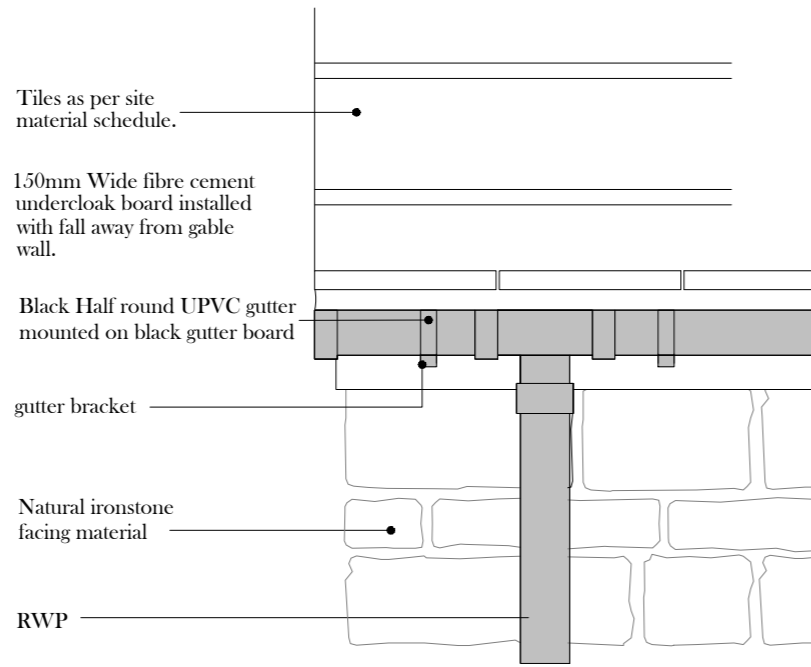


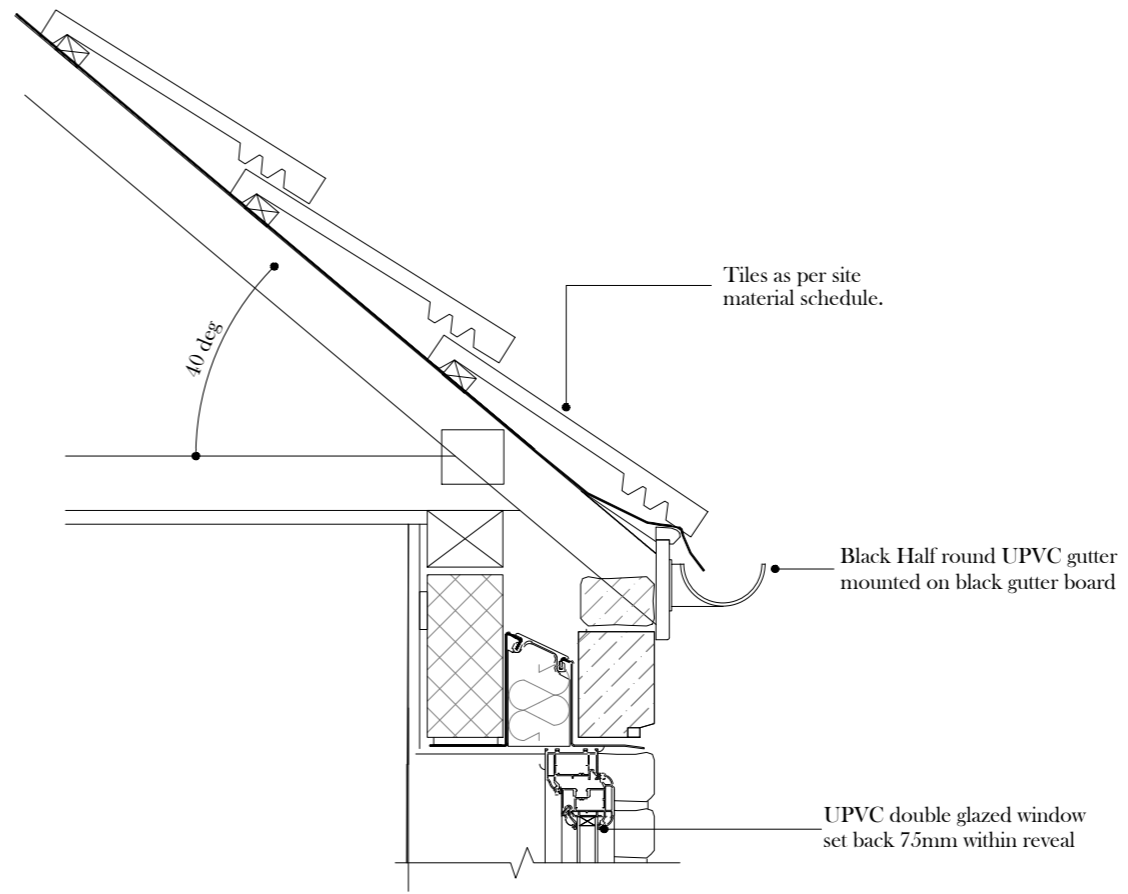
STONE ELEVATION



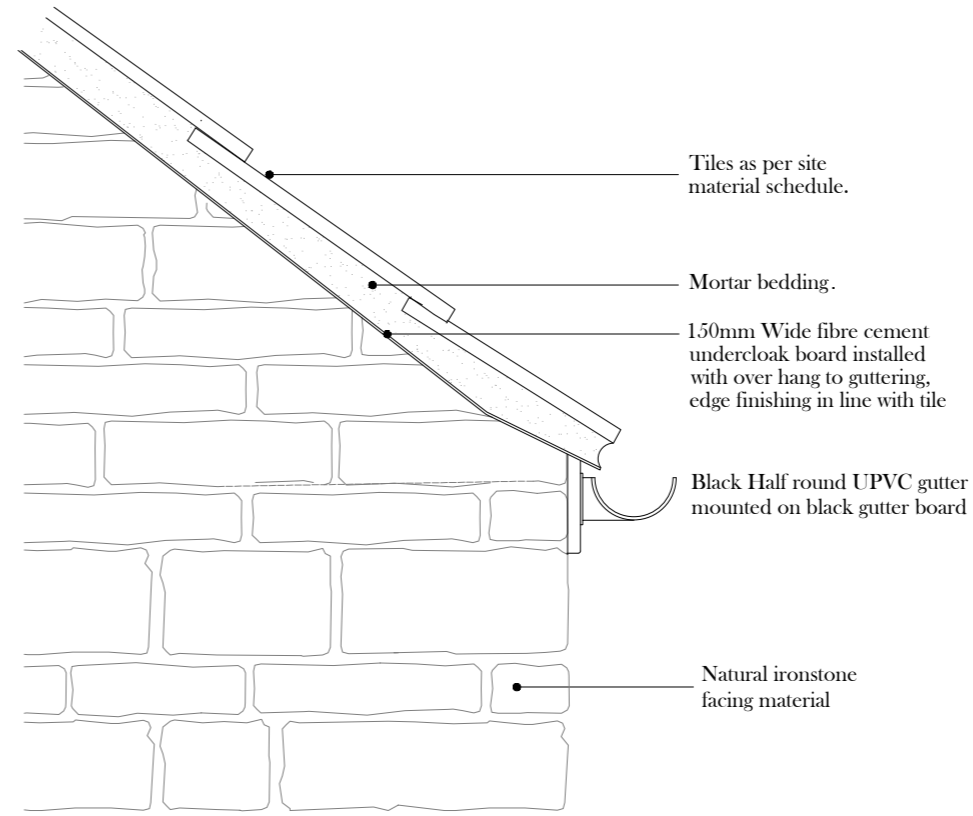
VERGE DETAIL



FRONT EAVES DETAIL



EAVES DETAIL



SIDE EAVES DETAIL

Do not scale. Use only figured dimensions. Any discrepancies must be reported. All dimensions and setting out are to be verified on site before work commences. Copyright Reserved ©

Plots 1,2,3,4,5,6,8,9,10,11,12,15,16,17 & 18
PLANNING DETAIL - NOT FOR CONSTRUCTION

PROJECT:	Land at Phase 1 Hempton Road Deddington	job ref.		area:	
PLOTS:	where applicable	date	Oct 21	scale	1: 10 at A3
SHEET TITLE	Eaves detail - Stone planning details	dig. no.	P.det_10a		