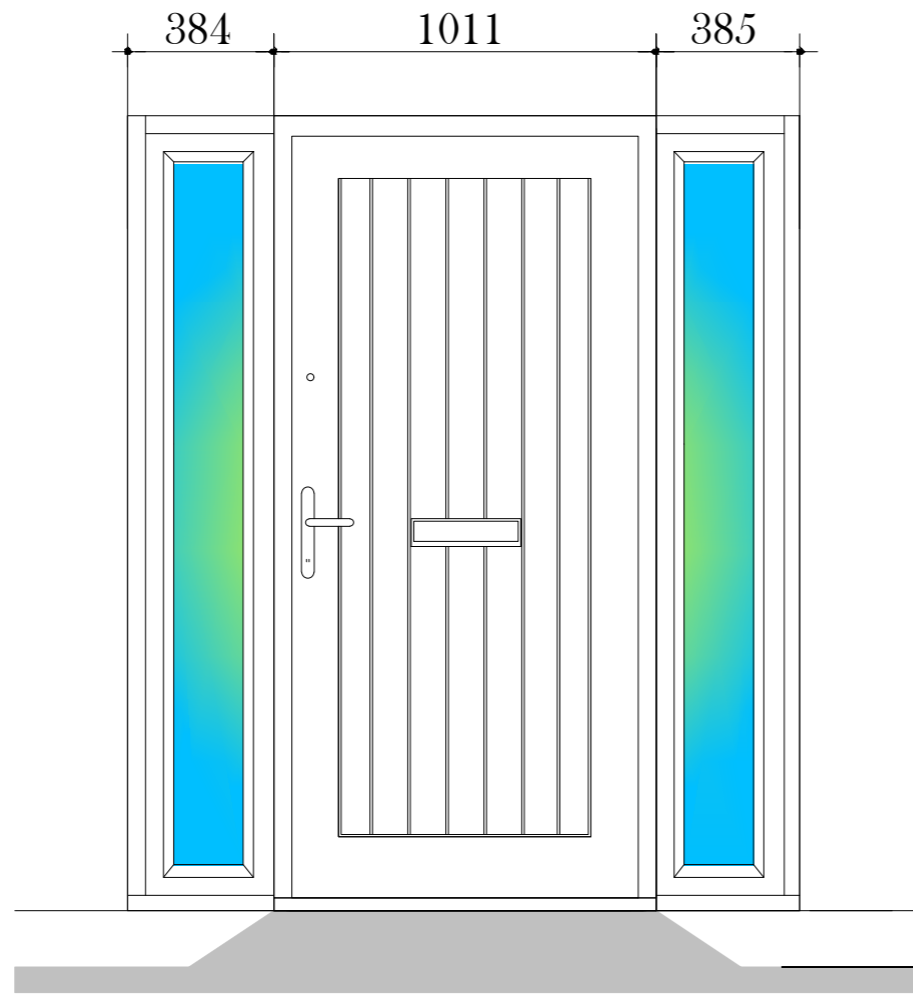
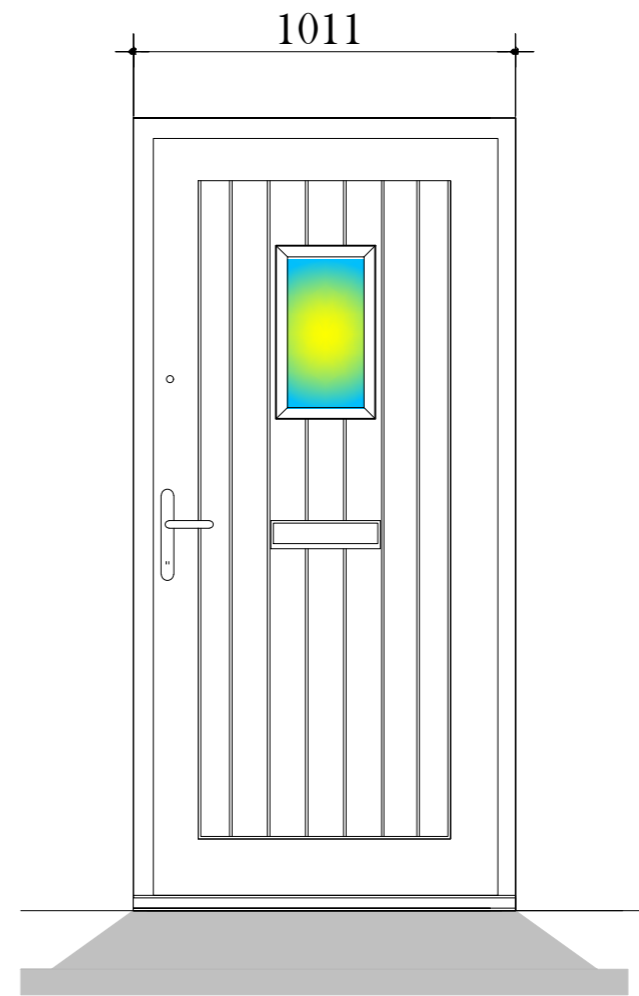


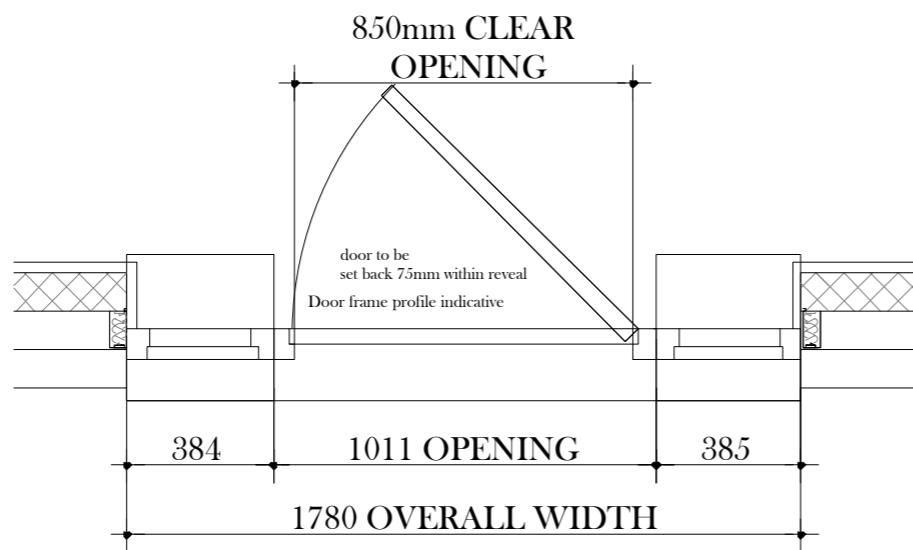
Door Styles 1 & 2



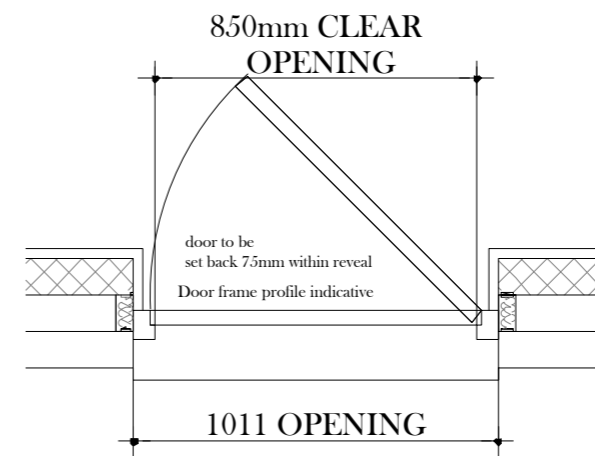
DOOR STYLE 1



DOOR STYLE 2



DOOR STYLE 1



DOOR STYLE 2

PLANNING DETAIL - NOT FOR CONSTRUCTION

Do not scale. Use only figured dimensions. Any discrepancies must be reported. All dimensions and setting out are to be verified on site before work commences. Copyright Reserved ©

PROJECT:	Land at Phase 1 Hempton Road Deddington	job ref.		area:	
PLOTS:	where applicable	date	Oct 21	scale	1: 20 at A3
SHEET TITLE	Window styles planning details	dig. no.	P.det_07a		
B BURRINGTON ESTATES HOMES OF DISTINCTION		PODIUM Architecture			