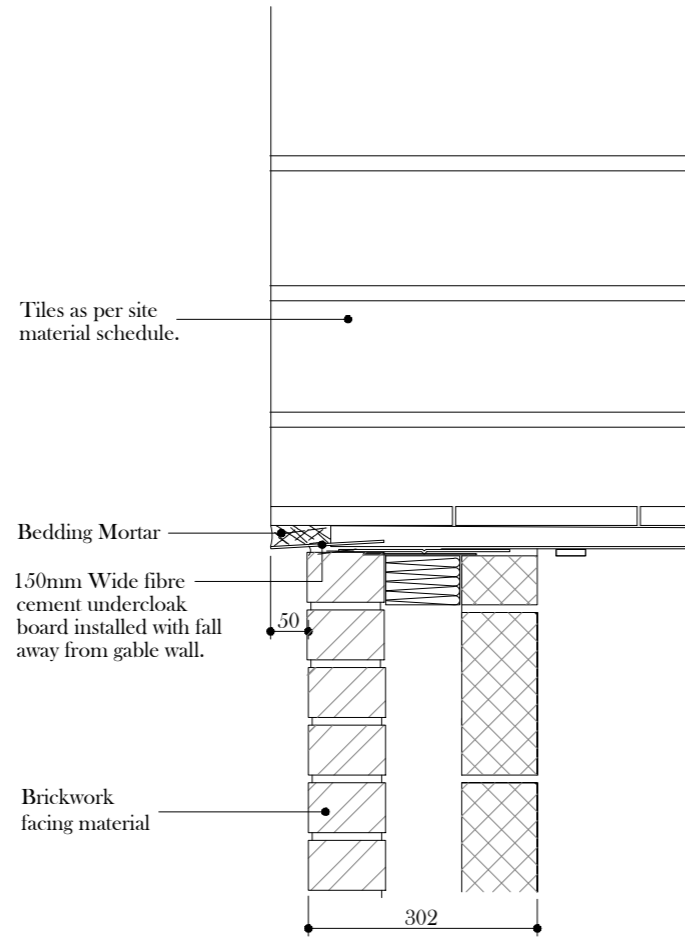
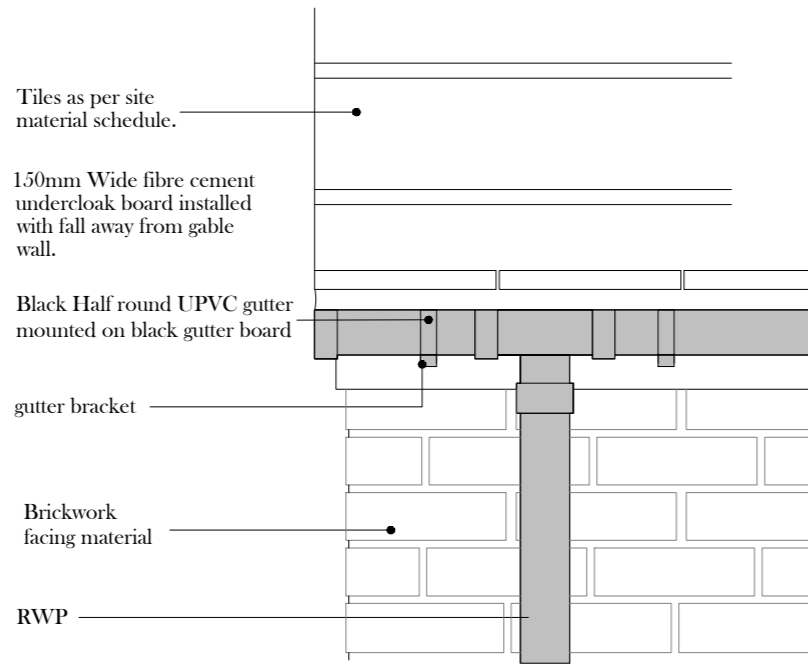


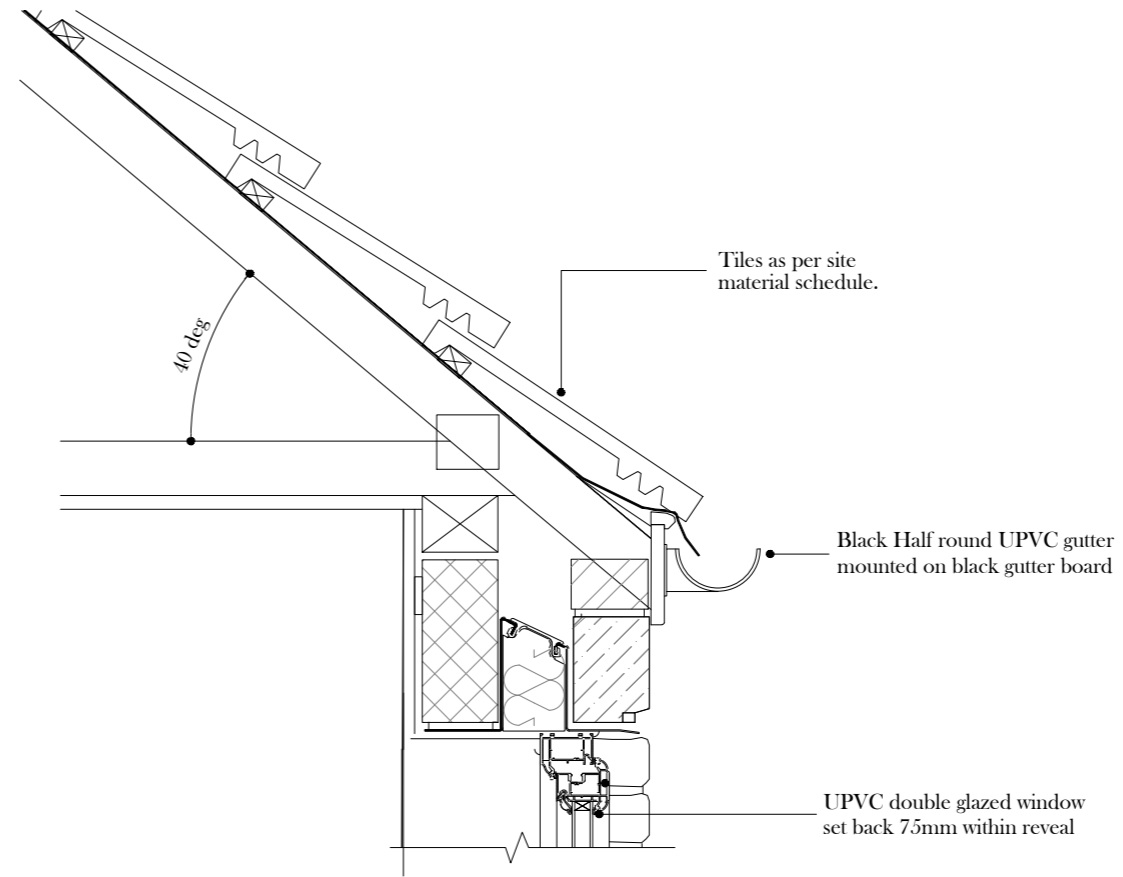
# BRICK ELEVATION



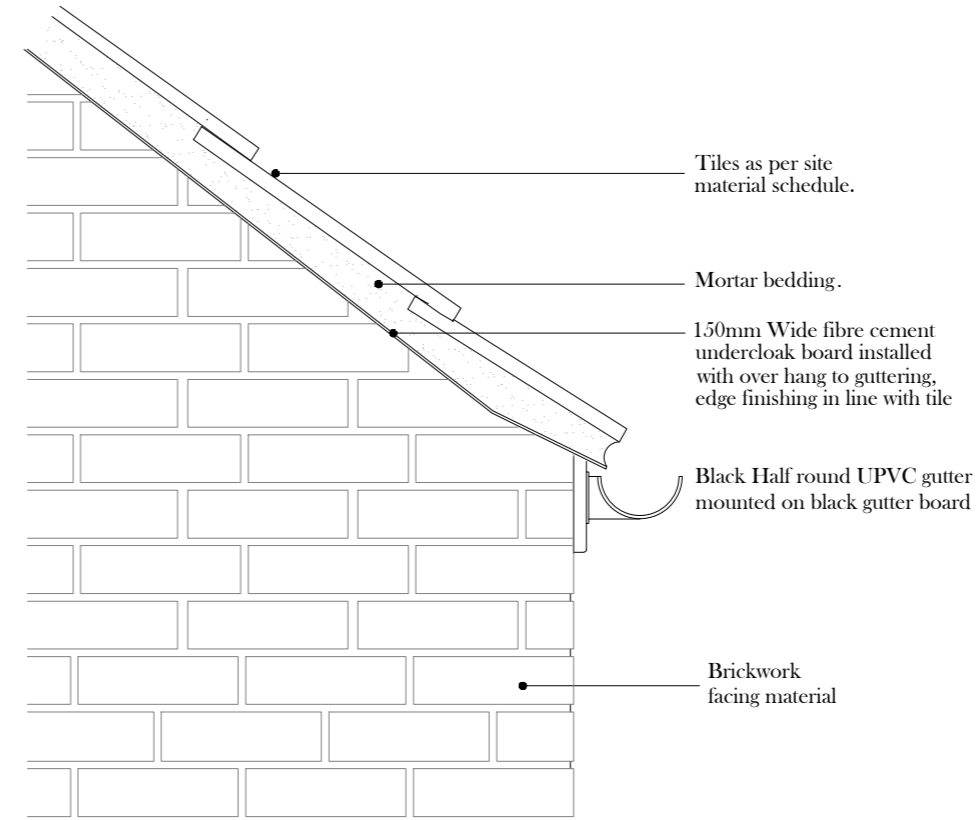
**VERGE DETAIL**



**FRONT EAVES DETAIL**



**EAVES DETAIL**



**SIDE EAVES DETAIL**

PROJECT:	Land at Phase 1 Hempton Road Deddington	area:	
PLOTS:	where applicable	date	Oct 21
SHEET TITLE	Eaves detail - BRICK planning details	job ref.	
		dig. no.	P.det_09a
		scale	1: 10 at A3
<b>PODIUM</b> Architecture			
<b>B</b> BURRINGTON ESTATES HOMES OF DISTINCTION			

Plots 7, 13,14,19,20 & 21  
**PLANNING DETAIL - NOT FOR CONSTRUCTION**

Do not scale. Use only figured dimensions. Any discrepancies must be reported. All dimensions and setting out are to be verified on site before work commences. Copyright Reserved ©