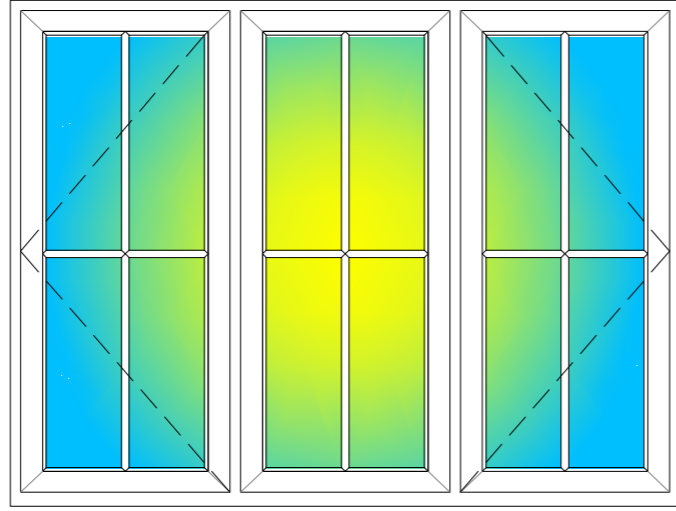
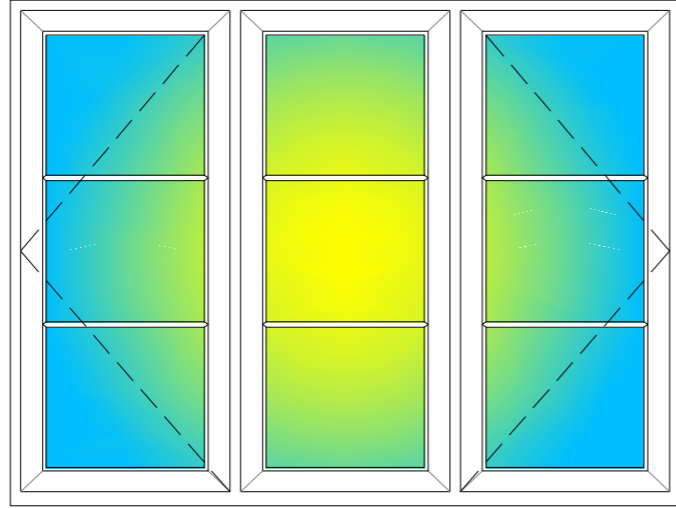


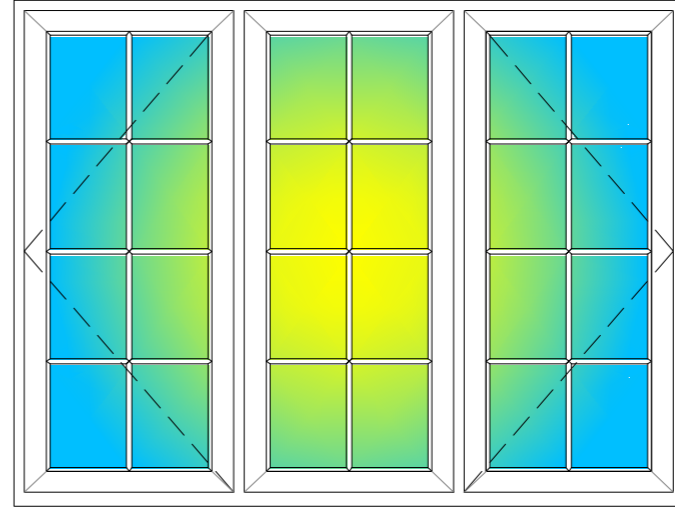
# Window styles 1-4



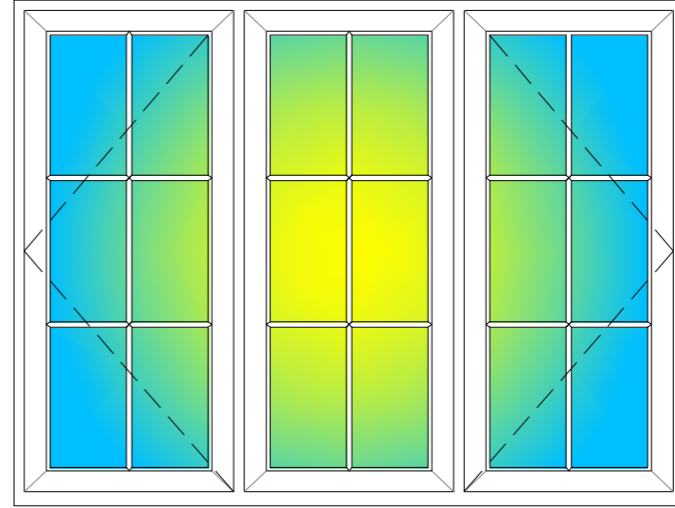
WINDOW STYLE ONE



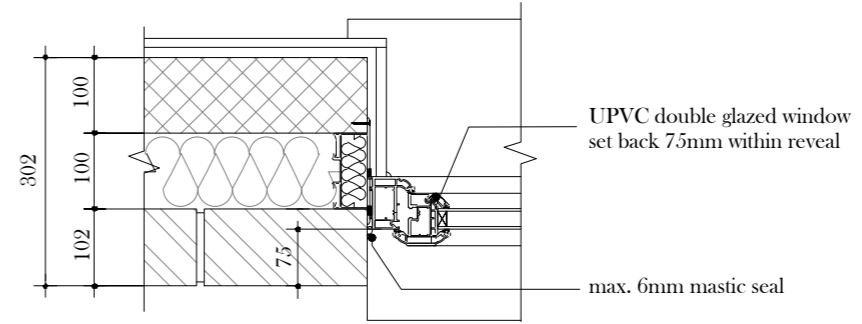
WINDOW STYLE TWO



WINDOW STYLE THREE



WINDOW STYLE FOUR



WINDOW REVEAL PLAN  
- Brick external material

Do not scale. Use only figured dimensions. Any discrepancies must be reported. All dimensions and setting out are to be verified on site before work commences. Copyright Reserved ©

PLANNING DETAIL - NOT FOR CONSTRUCTION

<p><b>PROJECT:</b> Land at Phase 1 Hempton Road Deddington</p>	<p><b>PLOTS:</b> where applicable</p>	<p><b>SHEET TITLE</b> Window styles planning details</p>	<p><b>BURRINGTON</b> ESTATES HOMES OF DISTINCTION</p>	<p><b>PODIUM</b> Architecture</p>	<p>job ref.</p>	<p>date Oct 21</p>	<p>area:</p>
					<p>dir. no. P.det_06a</p>	<p>scale 1: 20 at A3</p>	