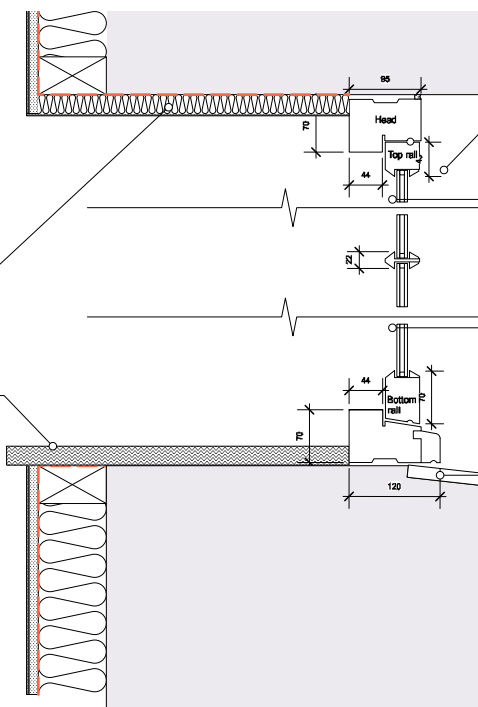


North, east and west internal elevations insulated internally as follows:

Existing Stone wall with rubble filled cavity.
90mm CLS stud at 600 centres w/
90mm Kanuff Frametherm 32 between
studs, AVCL
12.5 mm wallboard w/ plaster skim.

25mm Spacetherm WRB to heads and
cheeks of window reveals

New painted s/w cill to all casement
windows



Window reveal depth to
match existing.
Window frames pointed in
with lime putty
Painted sapele casements
and frames
4mm laminate with a
6mm spacer and 4mm
toughened unit. Krypton
gas filled
Tiled cill (to match
existing for new openings)

1 Casement Window: Section detail
Scale: 1:10

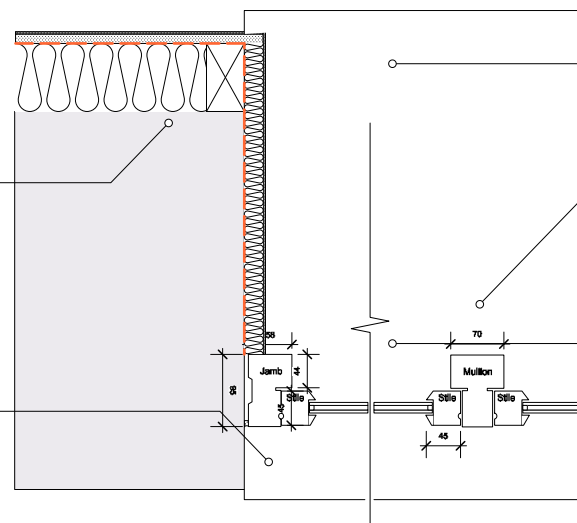
North, east and west internal elevations
insulated internally as follows:

Existing wall buildup,
90mm CLS stud at 600 centres w/
90mm Kanuff Frametherm 32 between
studs, AVCL
12.5 mm wallboard w/ plaster skim.

25mm Spacetherm WRB to heads and
cheeks of window reveals

Window reveal depth to match existing.

Window frames pointed in with lime
putty



New painted s/w cill to all casement
windows
Painted sapele casements
and frames
4mm laminate with a
6mm spacer and 4mm
toughened unit. Krypton
gas filled

2 Casement Window: Plan detail
Scale: 1:10

TIMBER CASEMENT WINDOWS - Flush casements with heritage double glazing

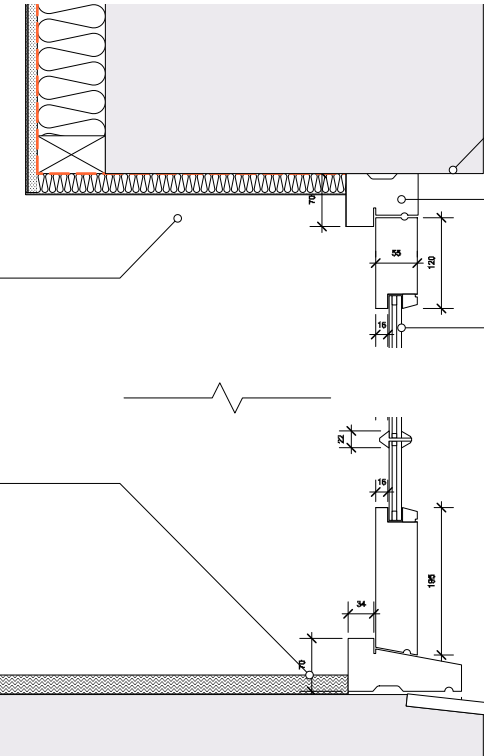
Replacement units	WG03, WG04, WG05, WG06, WF05, WF06, WF07
New units	WF01, WF02
Material	Sapele
Finish	Farrow and Ball: Wimbourne White - Exterior Eggshell

North, east and west internal elevations
insulated internally as follows:

Existing wall buildup,
90mm CLS stud at 600 centres w/
90mm Kanuff Frametherm 32 between
studs, AVCL
12.5 mm wallboard w/ plaster skim.

25mm Spacetherm WRB to heads and
cheeks of window reveals

Replacement timber flooring/stone
flooring on top of existing modern
concrete slab. Refer to Schedule of
Works.

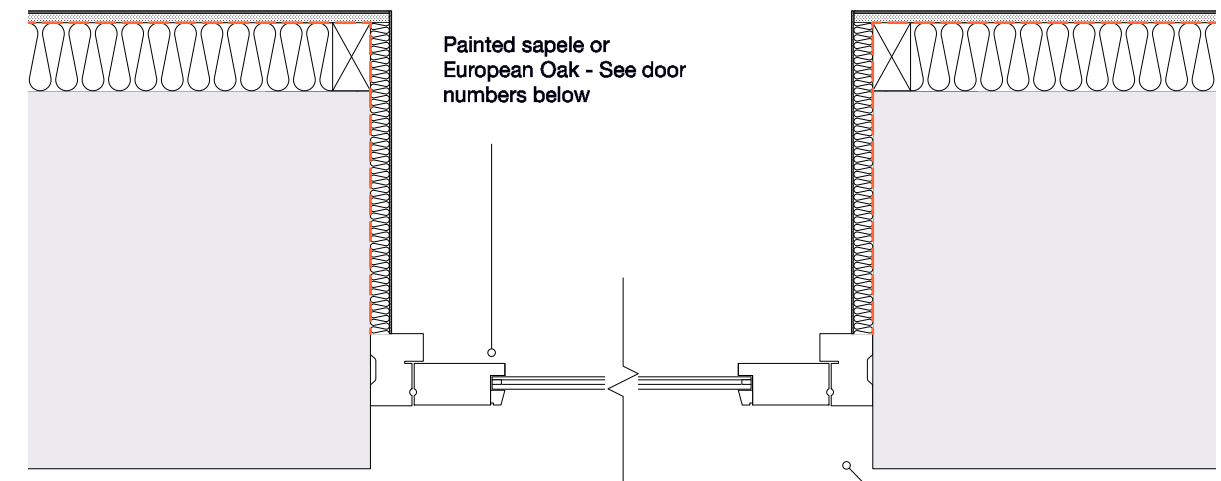


Door reveal depth to
match existing.
Door frames pointed in
with lime putty
Painted sapele or
European Oak - See door
numbers below
6.4mm laminate with a
6mm spacer and 4mm
toughened unit. Krypton
gas filled

North, east and west internal
elevations insulated internally as
follows:

Existing wall buildup,
90mm CLS stud at 600 centres
w/
90mm Kanuff Frametherm 32
between studs, AVCL
12.5 mm wallboard w/ plaster
skim.

4 Glazed Doors: Section detail
Scale: 1:10



25mm Spacetherm WRB to
heads and cheeks of window
reveals

Painted sapele or
European Oak - See door
numbers below

3 Glazed Doors: Plan detail
Scale: 1:10

Door reveal depth to
match existing.
Door frames pointed in
with lime putty

TIMBER CASEMENT DOORS - Flush casements with heritage double glazing

Replacement units	EDGG03, EDG05
New units	EDG02
Material	EDG02, EDG03 Sapele, EDG05 European Oak
Finish	EDG02, EDG03 Farrow and Ball: Wimbourne White - Exterior Eggshell EDG05 Osmo UV oil Natural

IVY COTTAGE, 32 HIGH STREET, BODICOTE, OX15 4BP	P1	220107	Planning Issue			001_05_100_P1
						Proposed Window and Door Details
						Scale 1:10 at A3