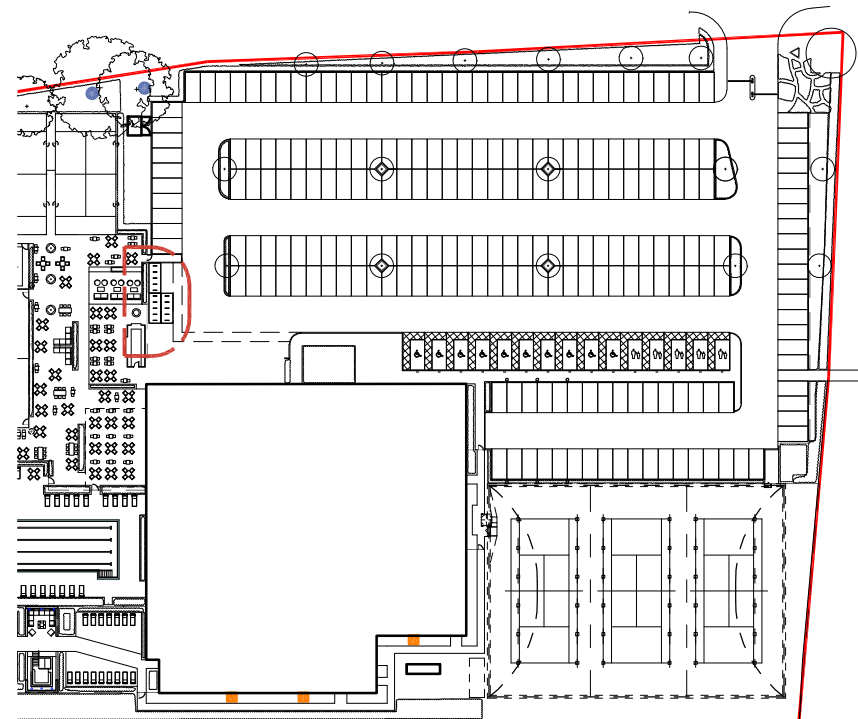
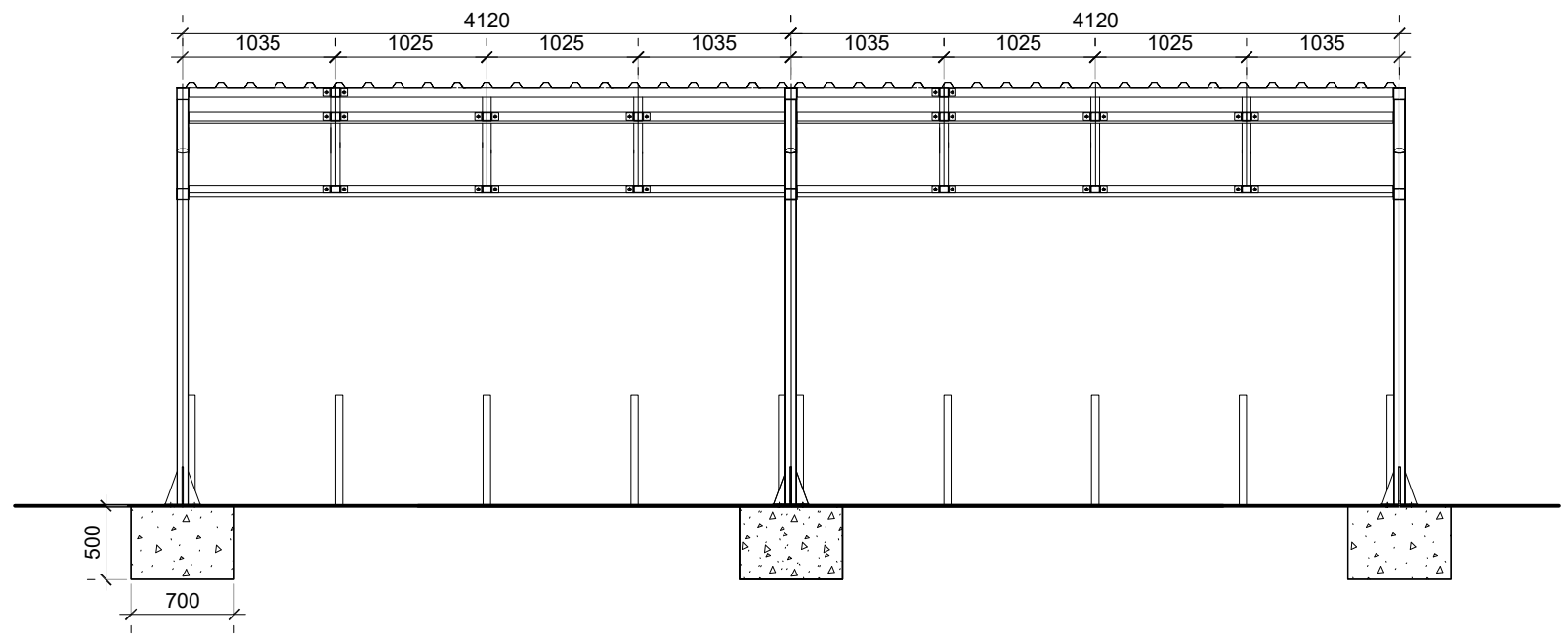


15 No. Cycle hoops, to accommodate 30 No. bikes

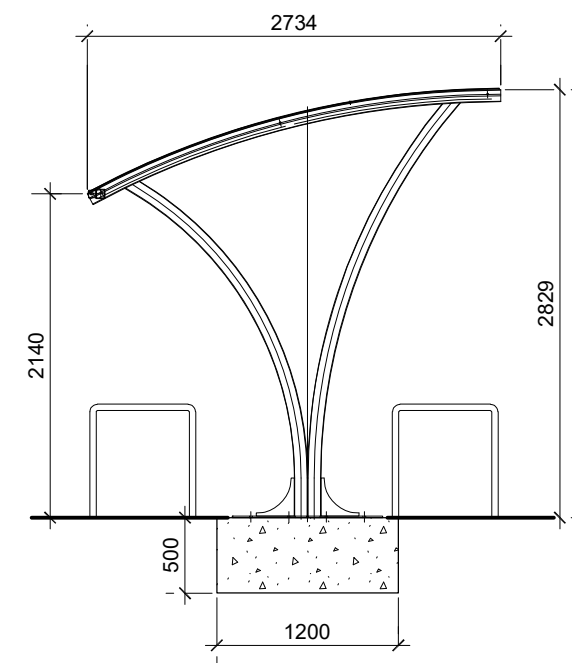
**Shelter Plan**  
1:50



**Location Plan**  
1:1250



**Shelter Primary Elevation**  
1:50



**Shelter Secondary Elevation**  
1:50

REVISION \* BY: AJ CHECKED: DATE 03/09/2021  
 Planning Issue

**PLANNING**

PLOT DATE: \_\_\_\_\_

*David Lloyd*  
 CLUBS

CLIENT: \_\_\_\_\_

**CATALYST BICESTER**

PROJECT: \_\_\_\_\_

**CYCLE SHELTER DETAIL**

DRAWING: \_\_\_\_\_ SCALE: 1:50 @ A3 DATE: SEPT 2019  
 DRAWN BY: AJ

**Hadfield Cawkwell Davidson**

Broomgrove Lodge, 13 Broomgrove Rd, Sheffield, S10 2LZ T 0114 266 8181 www.hcd.co.uk

Architecture | Engineering | Interior Design | Masterplanning | Urban Design

JOB NO: 2018-260 | DRAWING NO: A-PL-09-202 | REV: P0

S:\Architecture\2018-260\Planning\2021-09-02\_amended\_planning\No Padel Cover\A-PL-09-202xP0\_Proposed Cycle Shelter Detail