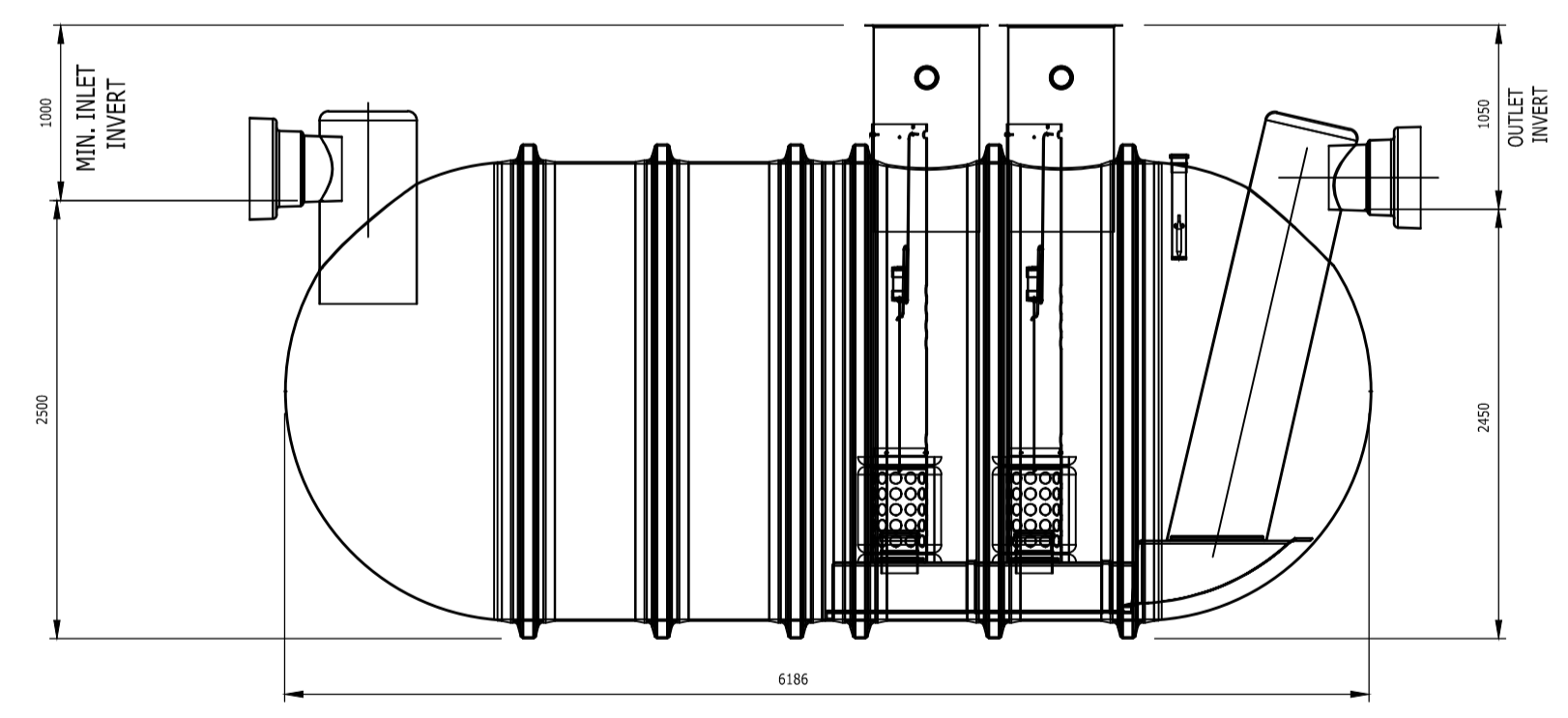
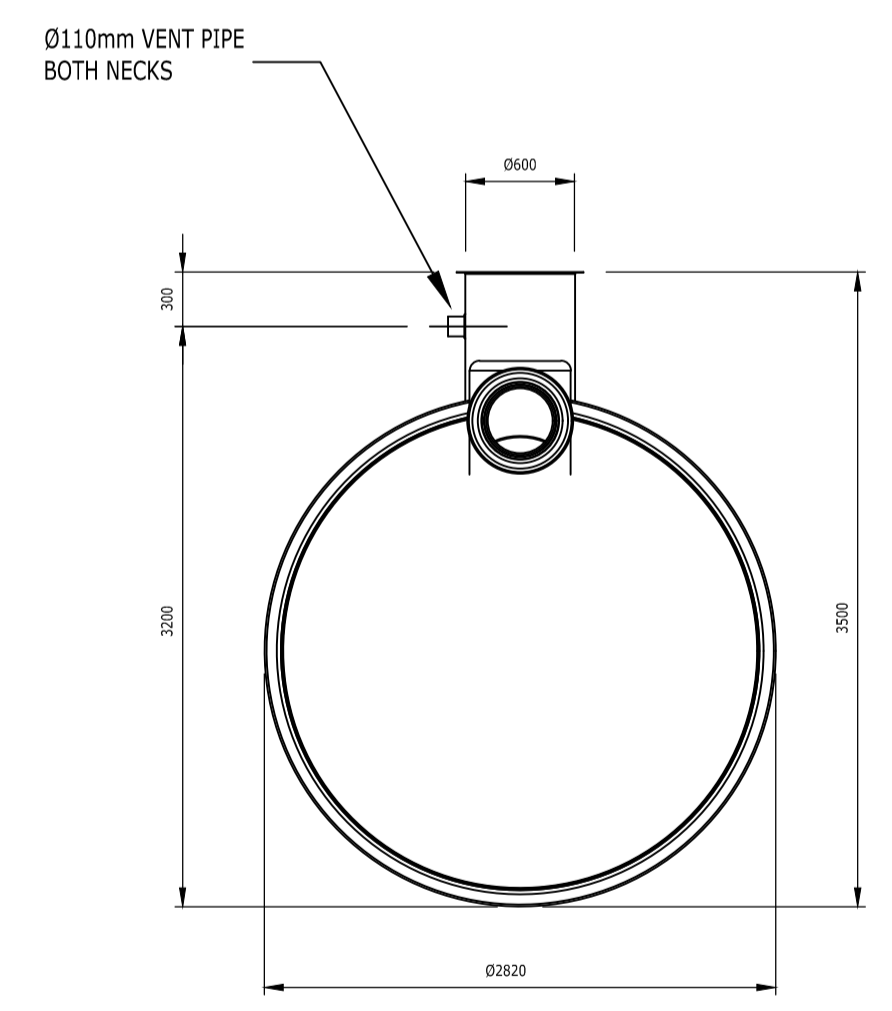
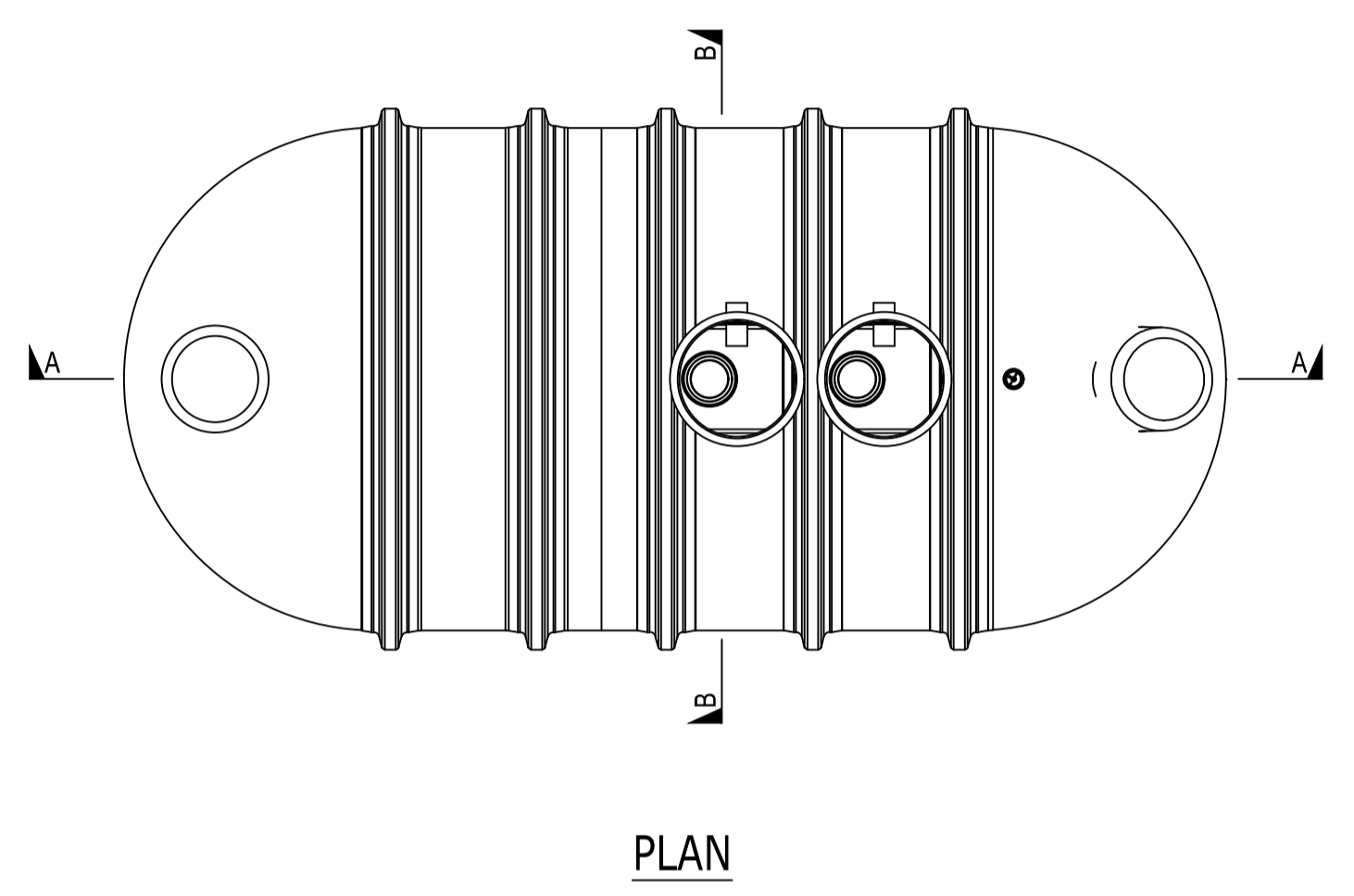


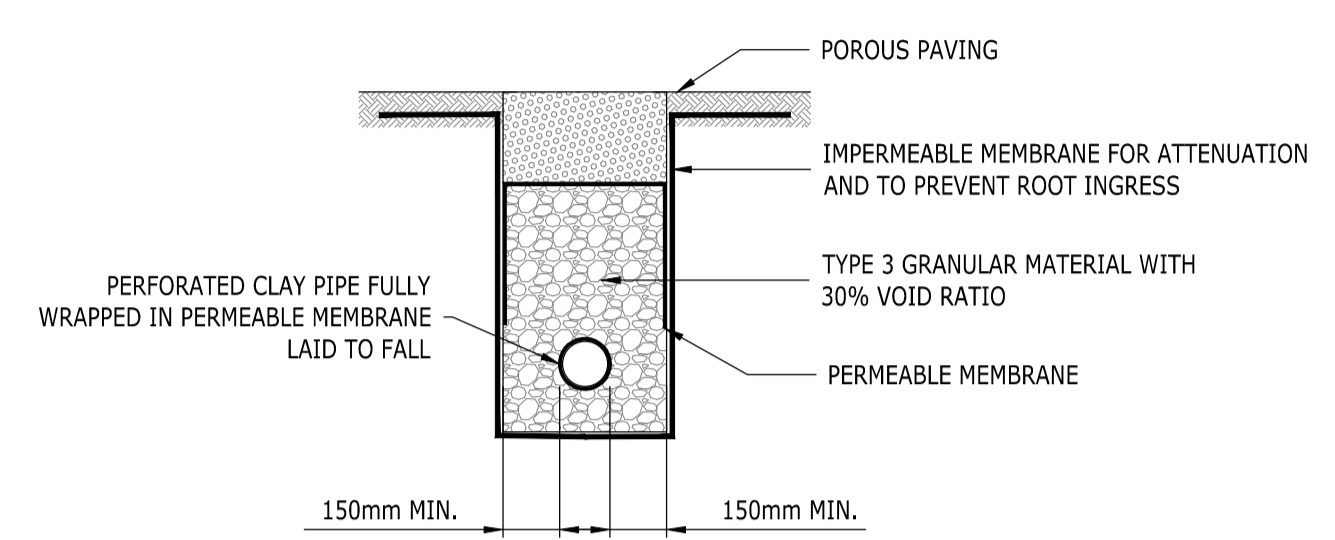
Notes

1. THIS DRAWING IS NOT TO BE SCALED.
2. THIS DRAWING IS TO BE READ IN CONJUNCTION WITH ALL RELEVANT ARCHITECTURAL, STRUCTURAL AND M&E DRAWINGS.
3. THIS IS NOT AN INSTALLATION DRAWING NOR A CO-ORDINATION DRAWING.
4. INDICATIVE BELOW GROUND DRAINAGE STRATEGY SUBJECT TO FURTHER DESIGN DEVELOPMENT AND COORDINATION.
5. REFER TO DRAWING BBSP-RAMB-CP-XX-DR-C-000110 FOR DRAINAGE LAYOUT.

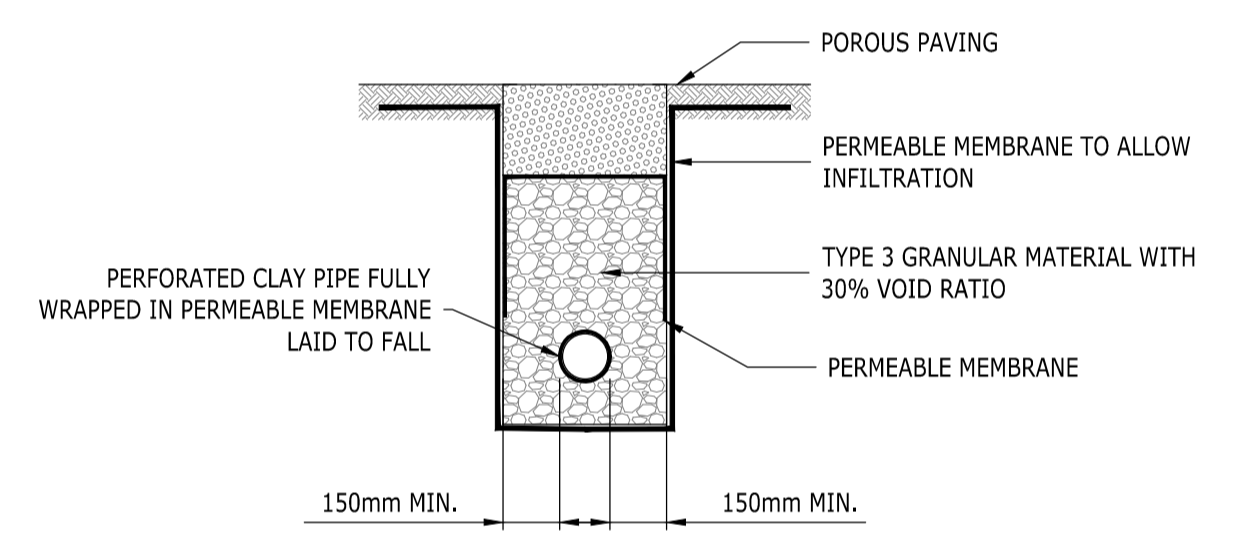
**TYPICAL FULL RETENTION
PETROL INTERCEPTOR BY KLARGESTER OR SIMILAR APPROVED**



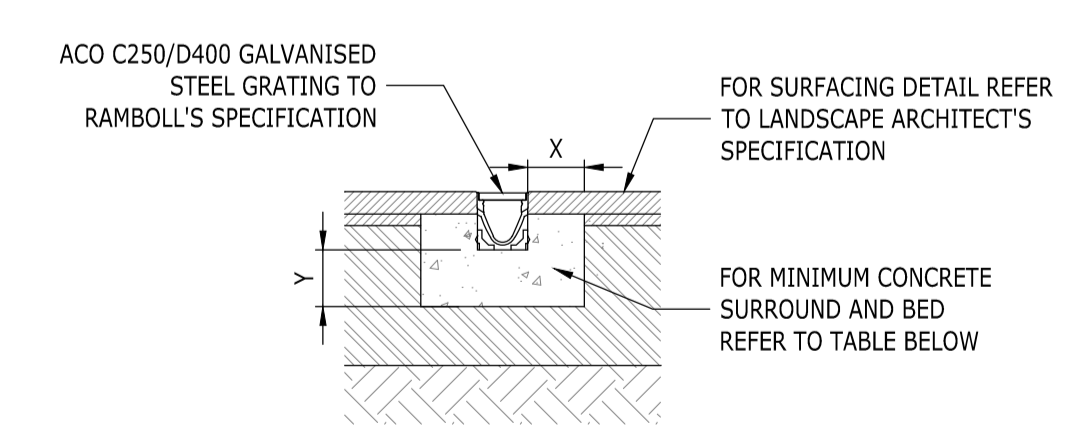
FILTER DRAIN DETAIL (WITH IMPERMEABLE MEMBRANE)



FILTER DRAIN DETAIL (WITH PERMEABLE MEMBRANE)



TYPICAL DRAINAGE CHANNEL DETAIL (ACO M100 0.0, OR SIMILAR APPROVED)



CONCRETE SURROUND: MINIMUM DIMENSIONS

LOADING CLASS		C250	D400
MINIMUM	X	150	200
MINIMUM	Y	150	200

P01	ISSUED FOR PLANNING	26.08 2021	AT LF	LS
Rev	Description	Date	By Chk	App

PLANNING

**BEGBROOKE SCIENCE PARK
SURFACE CAR PARK**



tel 020 7631 5291 london@ramboll.co.uk www.ramboll.co.uk

**CAR PARK
DRAINAGE DETAILS
SHEET 3**

Project No:	Scale (BA1):	Drawn:	Date:
1620011508	1:1000	MES	AUG 2021
Drawing No:		Rev:	
BBSP-RAMB-CP-XX-DR-C-00412		P01	