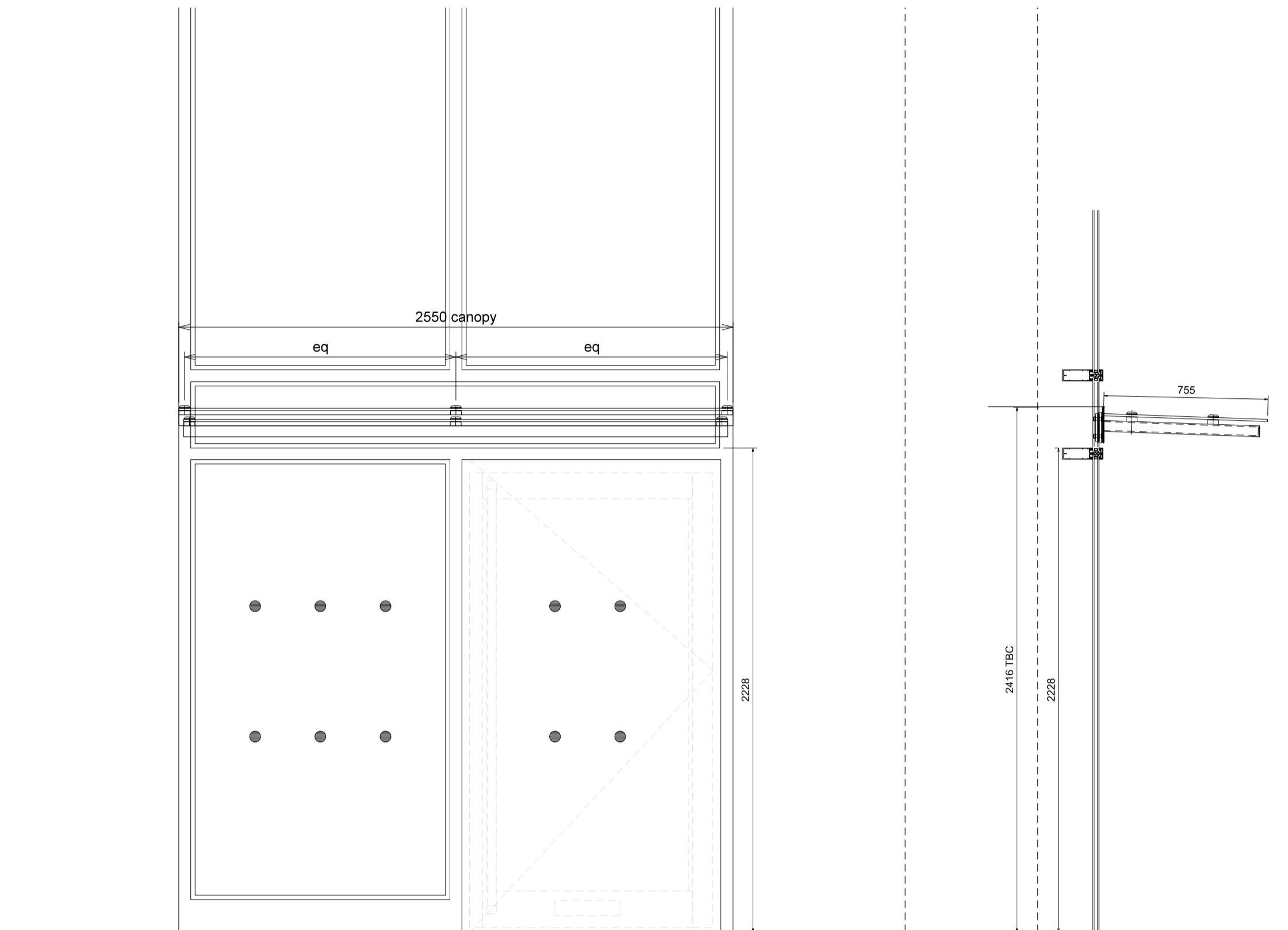


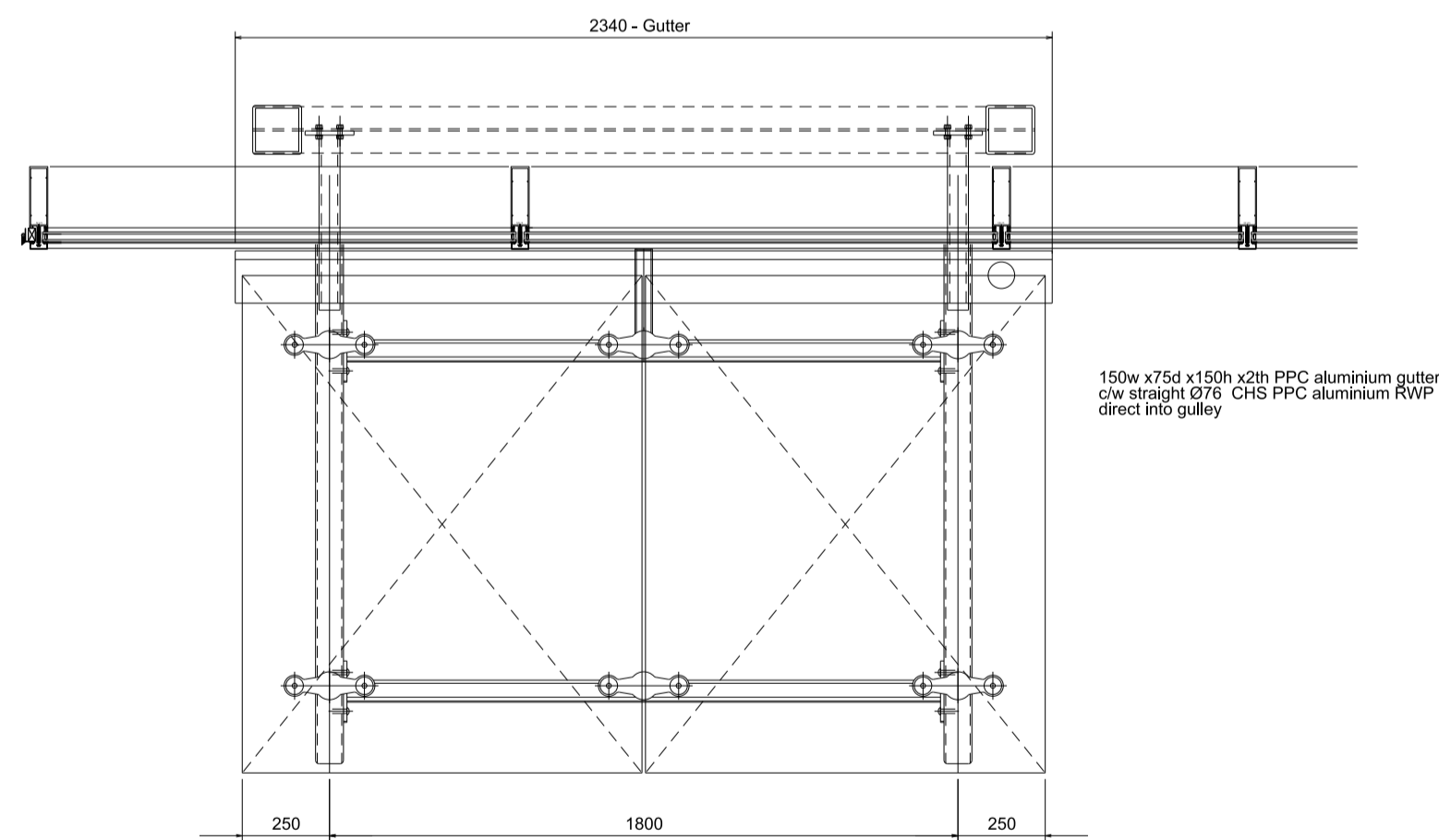
01 CANTILEVERED ENTRANCE CANOPY - TYPE 1  
025 typical front elevation - Units 1-5

02 CANTILEVERED ENTRANCE CANOPY - TYPE 1  
025 typical side elevation - Units 1-5

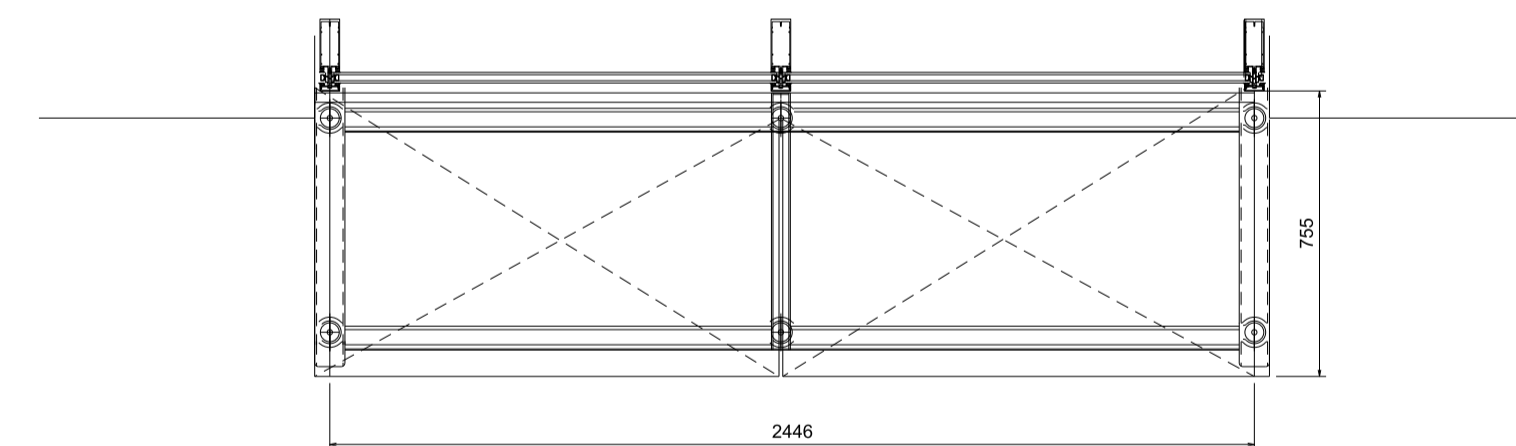


04 CANTILEVERED ENTRANCE CANOPY - TYPE 2  
025 typical front elevation - Units 6-11

05 CANTILEVERED ENTRANCE CANOPY - TYPE 2  
025 typical side elevation - Units 6-11



03 CANTILEVERED ENTRANCE CANOPY - TYPE 1  
025 typical plan - Units 1-5



06 CANTILEVERED ENTRANCE CANOPY - TYPE 2  
025 typical plan - Units 6-11

Rev	Description	Chk	Date
-----	-------------	-----	------

Peer House  
8 -14 Verulam Street  
London WC1X 8LZ

tel +44(0)20 7400 2120

enquiries@cornisharchitects.com  
www.cornisharchitects.com

RIBA  
Chartered Practice

cornisharchitects

Project Title:  
PHASE 3 AXIS J9 BICESTER

Drawing Title:  
ENTRANCE CANOPY DETAILS

Drawing Status:  
TOWN PLANNING

Scale:  
0 200 millimetres 1600

Drawn By: S K Scale: 1:20 @ A1 Date: 20/08/2021 Chk'd By: C S

ALBION LAND

Drawing No: 20019 - TP - 025 Rev: -