

Level Datum:	OS (D.P.3 Verified)			
Grid Orientation:	OS (D.P.3 Verified)			
Station Information:				
Station	Easting (m)	Northing (m)	Level (m)	Description
M01	447708.02	220483.72	118.98	MG
M02	447708.02	220483.72	118.98	MG
M03	447708.02	220483.72	118.98	MG
M04	447708.02	220483.72	118.98	MG
M05	447708.02	220483.72	118.98	MG

- SURVEY NOTES**
- THIS PLAN SHOULD BE USED FOR ITS ORIGINAL PURPOSE ONLY. MEC ACCEPTS NO RESPONSIBILITY FOR ITS DRAWINGS IF THEY ARE SUPPLIED TO ANY OTHER PARTY OTHER THAN THE ORIGINAL CLIENT.
  - THE INFORMATION SHOWN HAS BEEN SURVEYED IN ACCORDANCE TO THE ACCURACY OF THE BASE SCALE SHOWN.
  - BOUNDARIES SHOWN ARE PHYSICAL SITE FEATURES AND MAY NOT REPRESENT LEGALLY CONVEYED OWNERSHIP.
  - SOME SERVICES MAY HAVE BEEN OMITTED DUE TO PARKED VEHICLES AND DENSE VEGETATION.
  - THIS SURVEY HAS BEEN ORIENTATED TO THE ORDNANCE SURVEY (OS) NATIONAL GRID (OSGB36) VIA A GLOBAL POSITIONING SYSTEM (GPS) AND THE O.S. ACTIVE NETWORK (OS NET).
  - A TRUE OSGB36 COORDINATE HAS BEEN ESTABLISHED NEAR TO THE SITE CENTER VIA A TRANSFORMATION USING THE OSTED2 & OSGB02 TRANSFORMATION MODELS. THE SURVEY HAS BEEN CORRELATED TO THIS POINT AND A FURTHER ONE OR MORE OSGB36 POINTS ESTABLISHED TO CREATE A TRUE O.S. BEARING FOR ANGLE ORIENTATION.
  - NO SCALE FACTOR HAS BEEN APPLIED TO THE SURVEY THEREFORE THE COORDINATES SHOWN ARE NOT TRUE O.S. COORDINATES.
  - PLEASE REFER TO THE SURVEY STATION TABLE TO ENABLE ESTABLISHMENT OF THE OS SITE GRID.
  - PLEASE NOTE THAT THE 3D TOPOGRAPHICAL SURVEY CAN BE ACCESSED BY TURNING ON 3D LAYERS VIA THE LAYER FILTER IN THE LAYER MANAGER.

**TOPOGRAPHICAL LEGEND**

FEATURE LINES	UTILITIES
--- BARRIER	Av AIR VALVE
--- BOTTOM OF BANK	Bv BOLLARD
--- BOUNDARY LINE	BT BOTTLE TELECOM
--- BUILDING CANOPY	BuS BUS STOP
--- BUILDING	CaM CANAL BANKER
--- CENTER LINE	CCTV CLOSED CIRCUIT CAMERA
--- CONTROL MAJOR	EL ELECTRIC
--- CONTROL MINOR	E2 EARTH ROD
--- EDGE OF BANK	FI FIRE HYDRANT
--- FENCE	FL FLOODLIGHT
--- FENCE LINE	Fl FLAGPOLE
--- OVERHEAD POWERLINE	FlL FLAGPOLE
--- PANEL FENCE	GP GAS PIPE ALLET
--- ROOF	GL GAS
--- ROOF EAVES	Lb LUMINOUS BOLLARD
--- SECURITY FENCE	LbL LITTER BIN
--- TOP OF BANK	LE LETTER BOX
--- TRACK	Lp LAMP POST
--- VERGE	RE ROOMING EYE
--- WALLS	SaM SERVICE MANAGER
	SaP SIGNPOST
	Sf STOP TAP
	Sv STOP VALVE
	Tc TELEPHONE CALL BOX
	Tl TRAFFIC LIGHT
	Tp TRAFFIC POST
	Ww WATER
	WwR WATER RACKER
	WwO WASH OUT
	WwP WATER PIPE ALLET

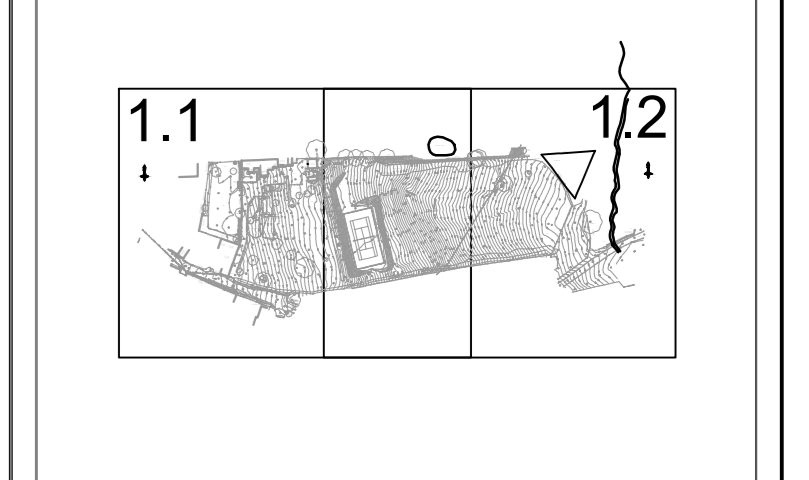
ABBREVIATIONS
--- CHAMBER
--- FLOW DIRECTION CHAMBER
--- FLOW DIRECTION FOL
--- FLOW DIRECTION SURFACE

SYMBOLS	STATIONS
□ CHAMBER	100.000m STATION LEVEL
○ GATE	TH THIAL HOLE
○ TRENCH/SWAMPING	△ MEC1 STATION AND NAME
○ TANK	



**SHEET LAYOUT**



REV	ISSUE	DATE	BY	CHK	APP
1	FIRST ISSUE	10/02/2023			
PROJECT: COW LANE STEPLE ASTON OXFORDSHIRE					
DRAWING TITLE: TOPOGRAPHICAL SURVEY					
CLIENT: SQUIRE & PARTNERS LLP					
DRAWING NUMBER: 26322_06_170_01.1					
REVISION	SHEET SIZE	SCALE			
	A0	1:200			
STATUS: FOR INFORMATION					
<b>M-EC</b> GEOMATICS		Telephone: 01203 264733 Email: group@me-ec.co.uk Website: www.me-ec.co.uk ORDNANCE SURVEY © CROWN COPYRIGHT 2015. ALL RIGHTS RESERVED. LICENSE NUMBER: 10005865			