

In association with

Client

Project

8 Rectory Lane,
Wendlebury,
Bicester
OX25 2PG

GENERAL NOTES

DO NOT SCALE DRAWINGS UNLESS FOR PLANNING PURPOSES.
DOCUMENTED DIMENSIONS SHALL BE TAKEN IN PREFERENCE TO SCALED DIMENSIONS.
CONTRACTOR TO VERIFY ALL DIMENSIONS ON SITE.
ALL DIMENSIONS ARE TO BE CHECKED ON SITE PRIOR TO COMMENCING ANY WORK OR SHOP DRAWINGS.
ANY DISCREPANCIES OCCURRING IN THESE DRAWINGS MUST BE REFERRED TO THIS OFFICE PRIOR TO COMMENCING ANY WORK OR THE CONTRACTOR OR SUB-CONTRACTOR SHALL BEAR THE FULL RESPONSIBILITY FOR THE SAME.
ALL DESIGNS ARE THE SOLE PROPERTY OF ELTON & ASSOCIATES LTD. AND MAY NOT BE USED WITHOUT THEIR WRITTEN APPROVAL.
ALL CONSTRUCTION AND FINISHES TO COMPLY WITH STATUTORY FIRE REGULATIONS APPLICABLE TO THE CITY AND COUNTRY WHERE THE PROJECT IS LOCATED.

1		
2		
3		
4		

Project Director **GJSE**

Drawn by

Checked by **GJSE**

Scale **AS INDICATED**

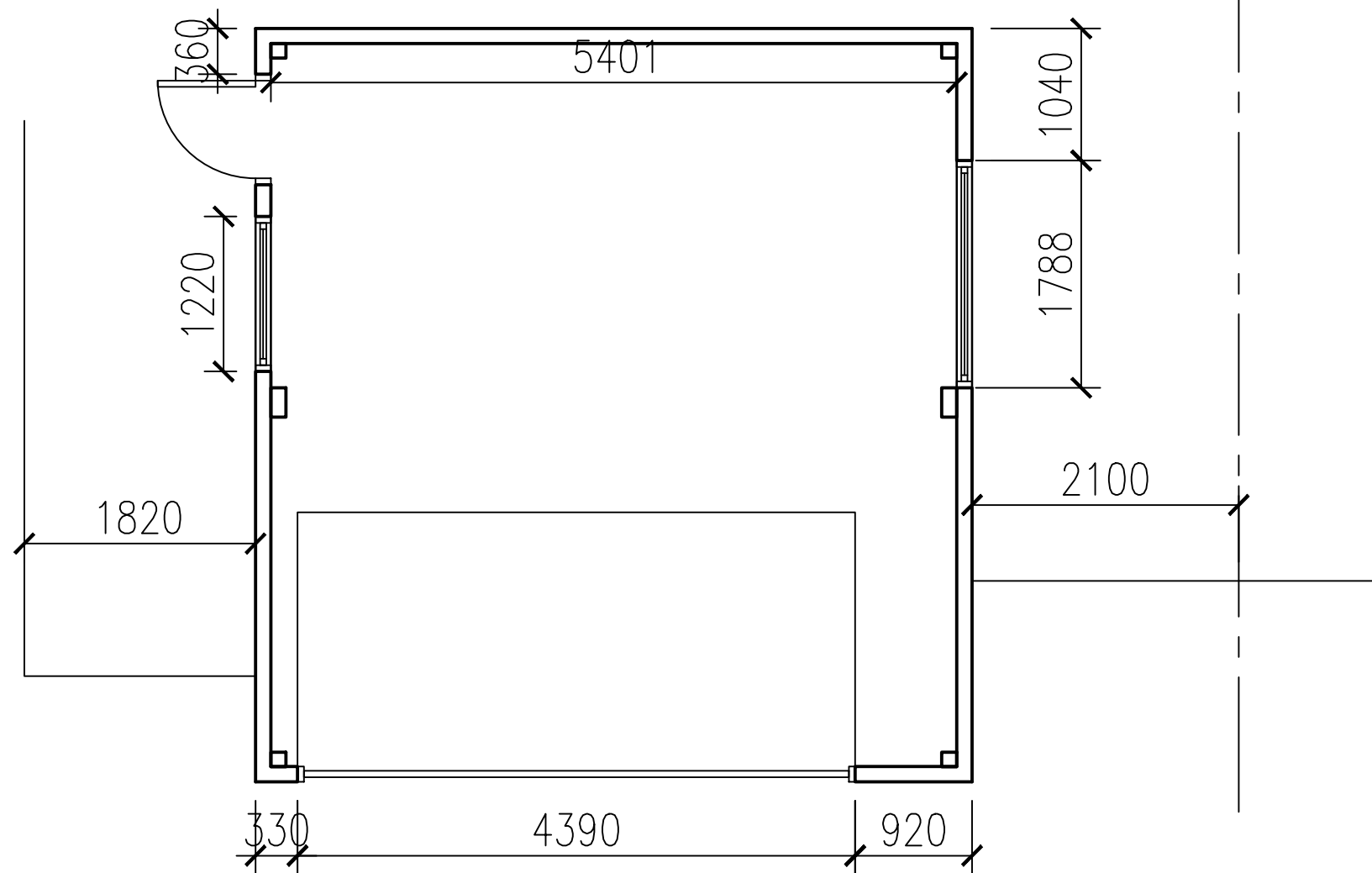
Date **04 MAY 2021**

Drawing Title
PROPOSED GROUND FLOOR GA PLAN

Project No.

Drawing No.

PP-005



PROPOSED GROUND FLOOR PLAN SCALE 1:50