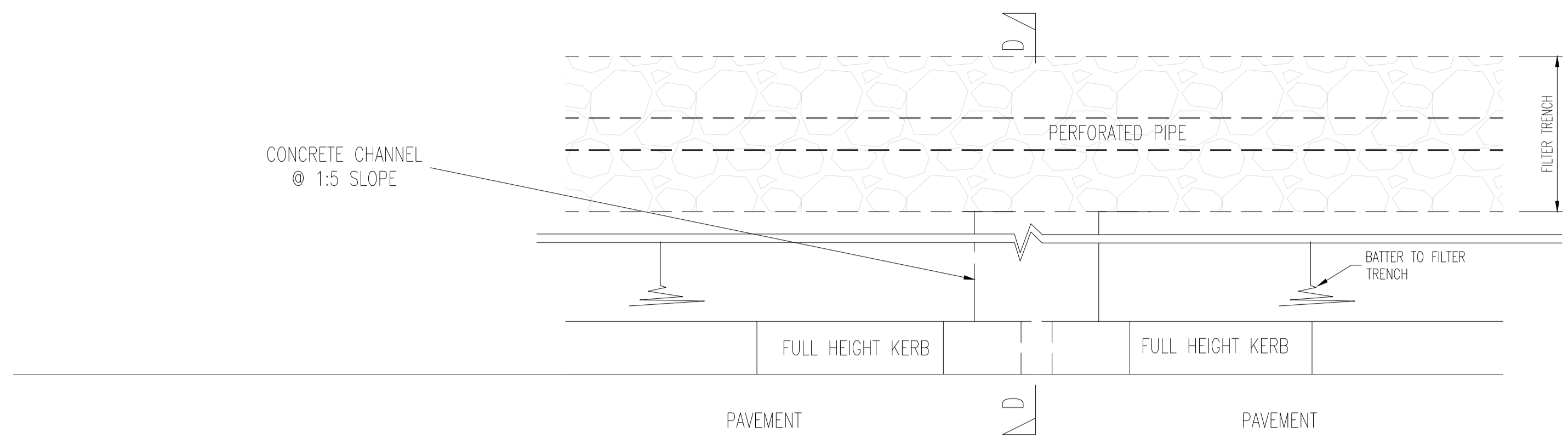
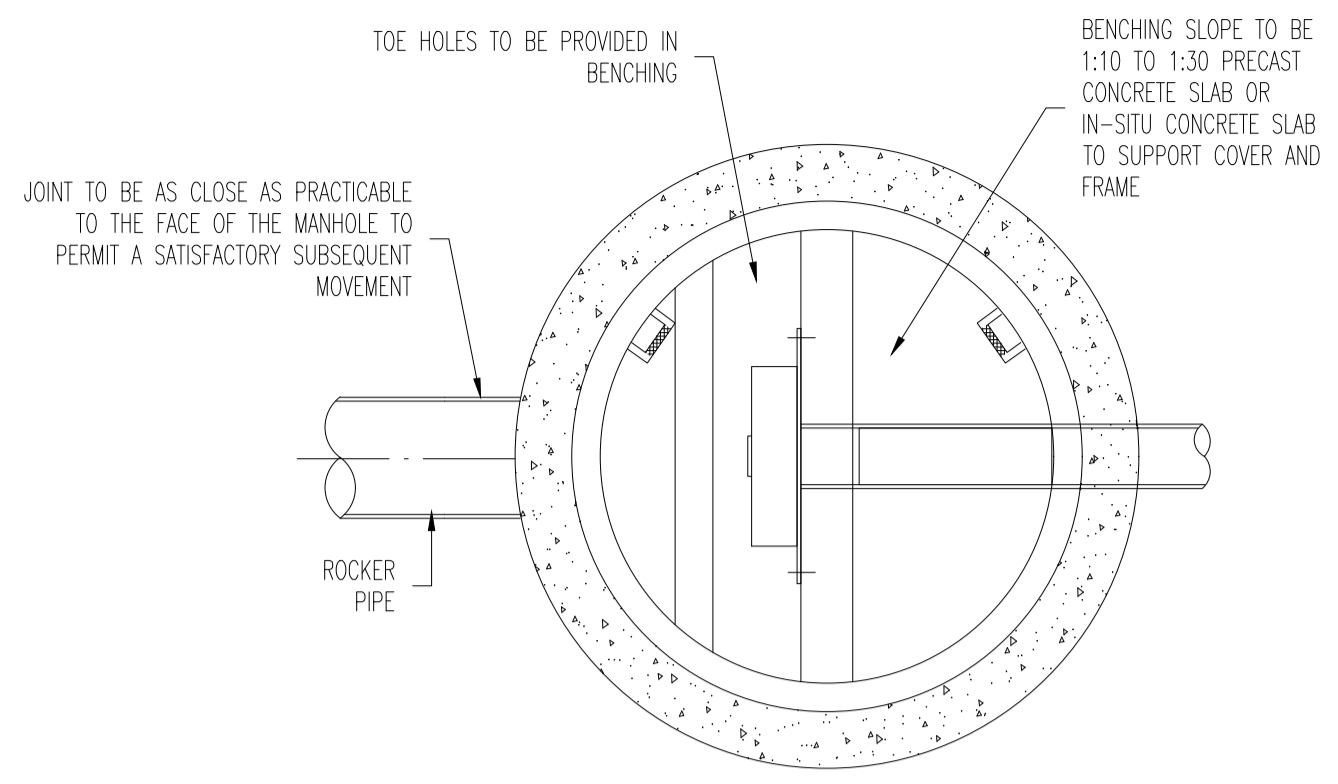


This drawing should not be scaled. Dimensions to be verified on site. Any discrepancies should be referred to the Engineer prior to work being put in hand.

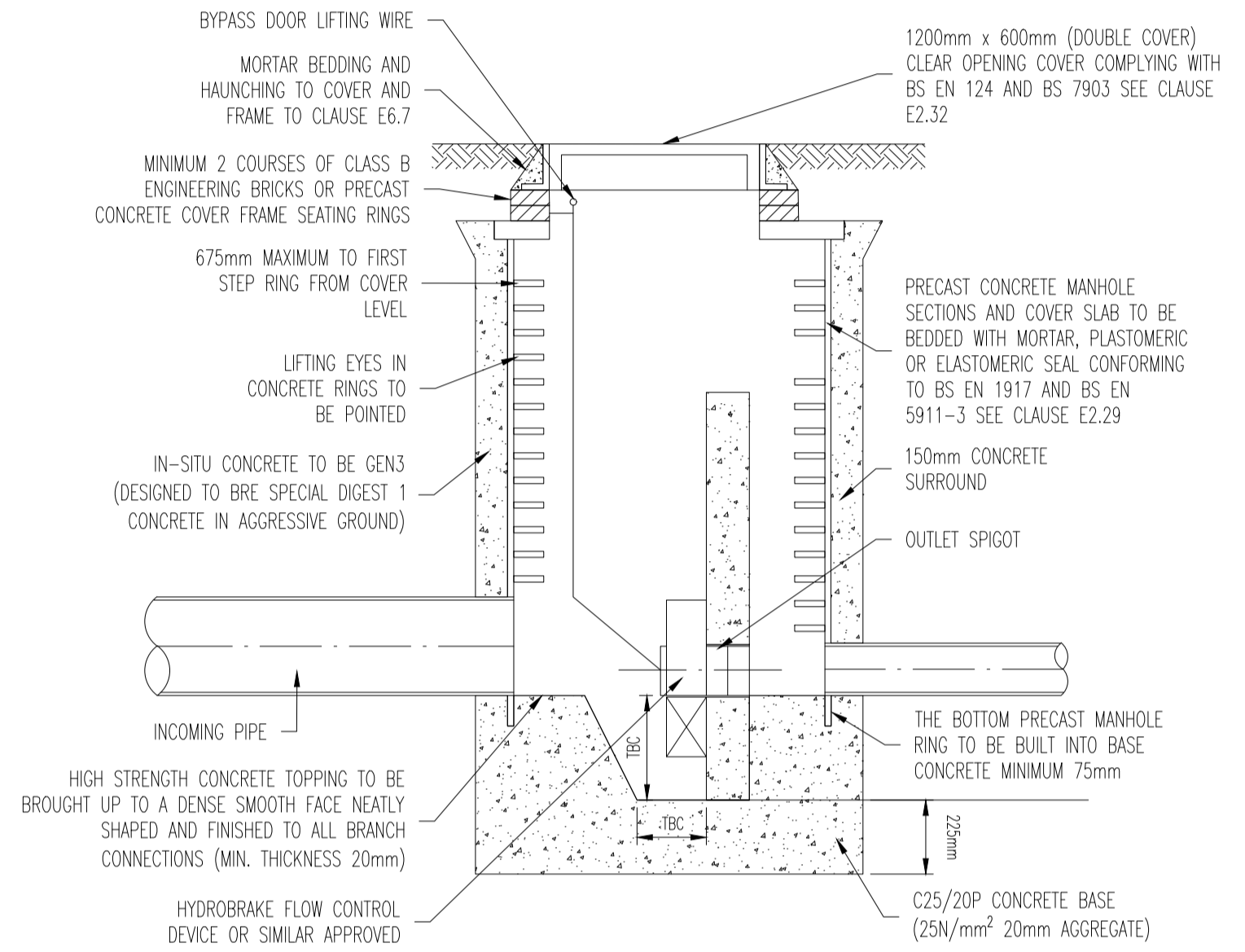
This drawing is the property of Waterman Infrastructure & Environment Limited, and the drawing is issued on the condition that it is not copied, reproduced, retained or disclosed to any unauthorised person, either wholly or in part without the consent in writing of Waterman Infrastructure & Environment Limited
Pickfords Wharf, Clerk Street, London SE1 9DG 1 020 7928 7888 1 020 7902 0992

GENERAL NOTES

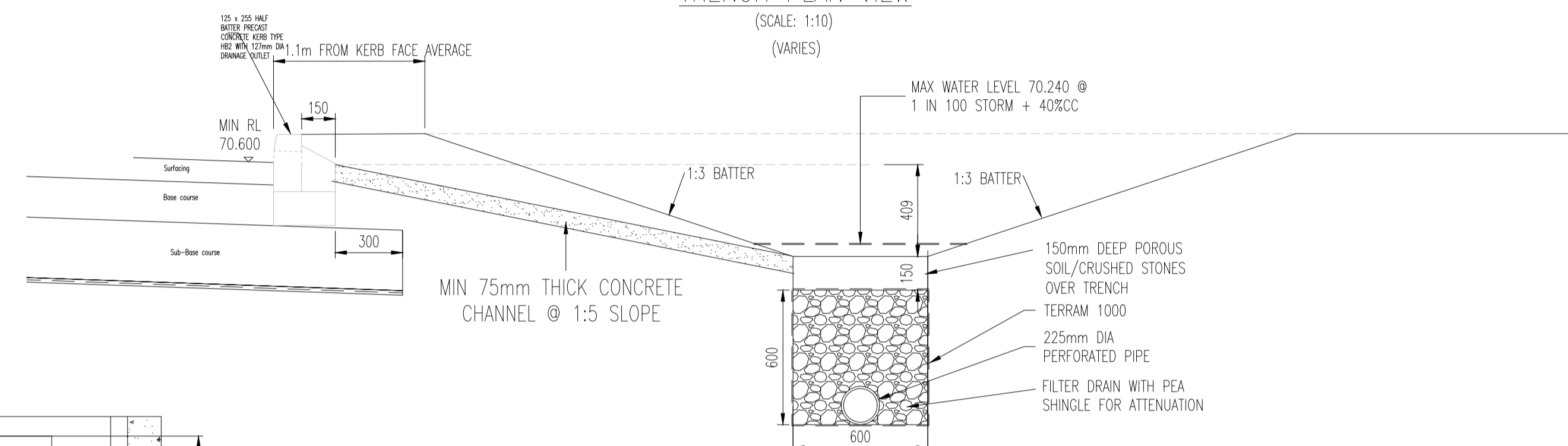
- DO NOT SCALE THIS DRAWING.
- THIS DRAWING IS TO BE READ IN CONJUNCTION WITH ALL RELEVANT ARCHITECTS', ENGINEERS', SERVICES AND SPECIALIST DRAWINGS AND SPECIFICATIONS.
- ALL DIMENSIONS ARE IN MILLIMETRES UNLESS NOTED OTHERWISE.
- ANY DISCREPANCIES IN DIMENSIONS OR DETAILS ON OR BETWEEN THESE DRAWINGS SHOULD BE DRAWN TO THE ATTENTION OF THE ARCHITECT AND/OR THE ENGINEER.
- ALL COVER AND INVERT LEVELS ARE SHOWN IN METRES AND PIPE DIAMETERS ARE IN MILLIMETRES.
- ALL COMPONENTS AND MATERIALS ARE TO BE MANUFACTURED AND SUPPLIED IN ACCORDANCE WITH THE RELEVANT BRITISH STANDARDS, AND LAID AND BACKFILLED IN ACCORDANCE WITH THE MANUFACTURER'S INSTRUCTIONS AND THE RELEVANT BRITISH STANDARDS.
- THE CONTRACTOR SHALL, BEFORE COMMENCING THE WORKS, VERIFY ALL SITE AND SETTING OUT DIMENSIONS, CONNECTION LEVELS WITH EXISTING DITCH AND DITCH CONDITION. THE CONTRACTOR SHALL BE RESPONSIBLE FOR THE TRUE AND PROPER SETTING OUT OF THE WORKS AND FOR THE CORRECTNESS OF THE POSITION, LEVELS, DIMENSIONS AND ALIGNMENT OF ALL PARTS OF THE WORKS.
- ALL ADOPTED PUBLIC SEWERS TO BE IN ACCORDANCE WITH SEWER FOR ADOPTION - 7TH EDITION - SPECIFICATION, AND LOCAL AUTHORITY SPECIFICATION.
- INSITU CONCRETE FOR USE IN GENERAL DRAINAGE WORKS, GRADE TO BS 5328.
- ALL PRECAST CONCRETE COMPONENTS SHALL BE IN ACCORDANCE WITH BS 5911 (pt100 FOR PIPES / pt200 FOR MANHOLES / pt230 FOR ROAD GULLIES).
- SURFACE WATER PIPES WITHIN FILTER TRENCHES TO BE PERFORATED PLASTIC TO BS EN 13476.
- SURFACE WATER PIPES (OUTSIDE FILTER TRENCHES) GREATER THAN OR EQUAL TO 300mm DIAMETER ARE TO BE PRECAST CONCRETE TO BS EN 1916.
- SURFACE WATER PIPES (OUTSIDE FILTER TRENCHES) SMALLER THAN 300mm DIAMETER TO BE VITRIFIED CLAY TO BS EN 295.
- THE CONTRACTOR MUST ENSURE AND WILL BE HELD RESPONSIBLE FOR THE OVERALL STABILITY OF THE BUILDING/STRUCTURE/EXCAVATION AT ALL STAGES OF THE WORK.
- ALL WORK BY THE CONTRACTOR MUST BE CARRIED OUT IN SUCH A WAY THAT ALL REQUIREMENTS UNDER THE HEALTH AND SAFETY AT WORK ACT ARE SATISFIED.
- COORDINATION WITH OTHER UTILITIES BY OTHERS.



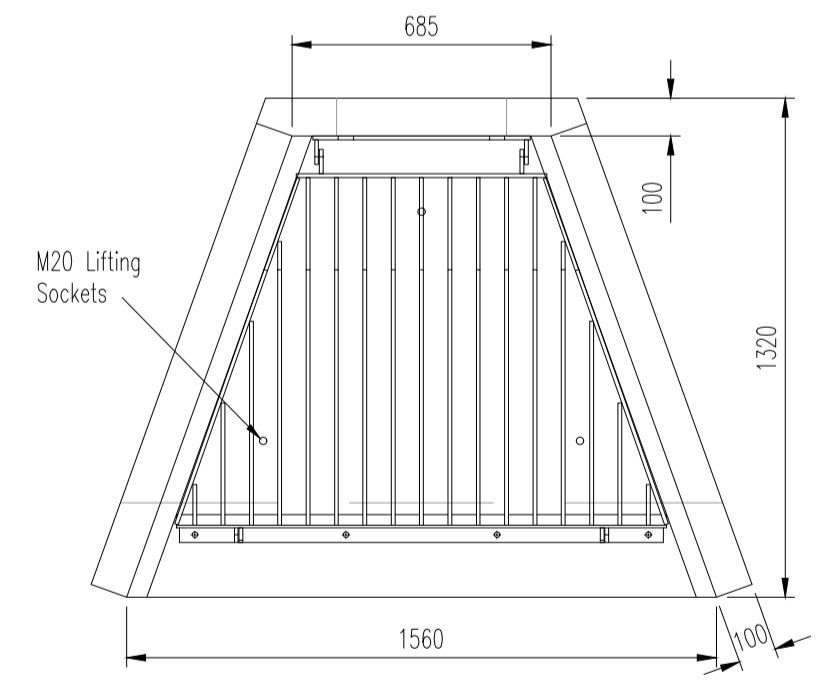
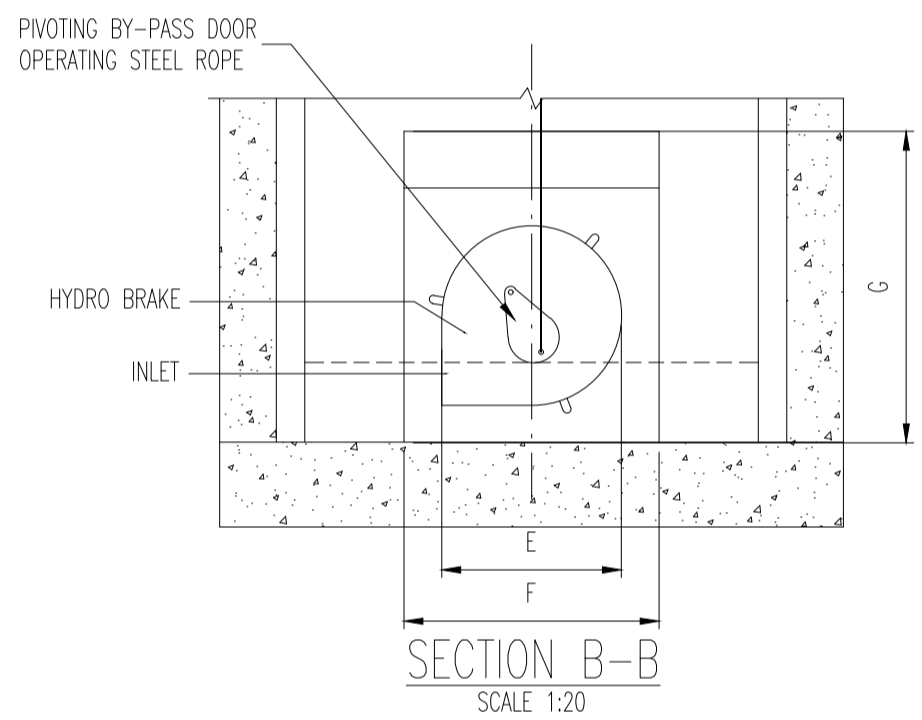
TYPICAL KERB OUTLET & FILTER TRENCH PLAN VIEW
(SCALE: 1:10)
(VARIES)



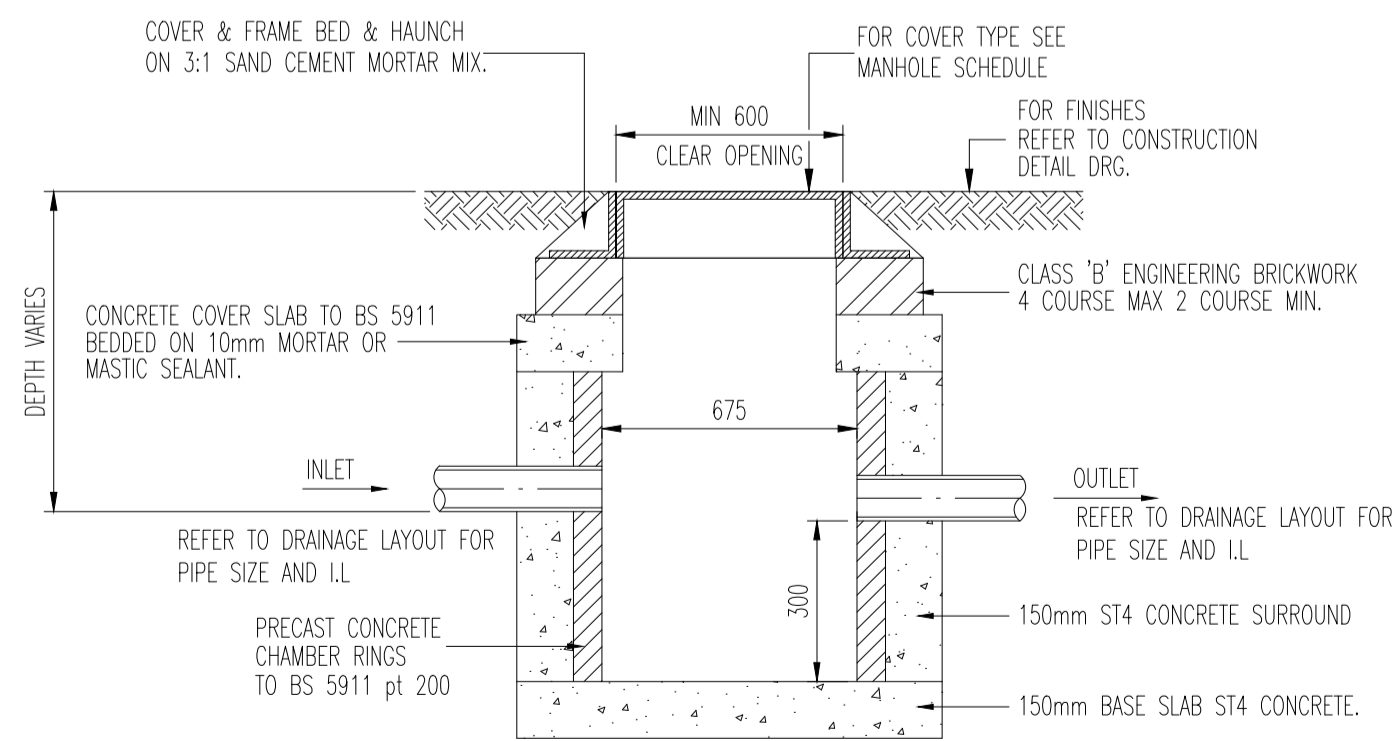
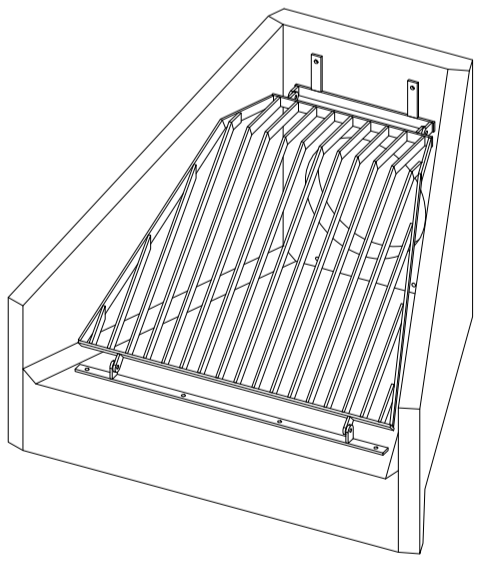
TYPICAL FLOW CONTROL MANHOLE WITH OVERFLOW WEIR WALL
(SCALE: 1:20)



TYPICAL KERB OUTLET & FILTER TRENCH DETAIL SECTION D-D
(SCALE: 1:10)



Note: Isometric drawing is for reference only, details may not accurately represent actual design - please see detailed views for technical information



TYPICAL CATCHPIT DETAIL

Cranked Grating Specification Information

- Grating manufactured from 40 x 10 flat at 75mm centres
- Unit fully welded then hot dip galvanised

Headwall B - H6CA Headwall + Cranked Grating (300dia - 450dia)
SCALE: 1:10

Rev	Date	Description	By
A03	16.06.21	FLOW CONTROL DEVICE & FILTER DRAIN DETAILS AMENDED	KP
A02	26.04.21	SWALE/FILTER DRAIN DETAIL AMENDED	KP
A01	05.03.21	FIRST ISSUE	ST

Project		Title	
GRAVEN HILL, BICESTER		A41 PIONEER ROUNDABOUT DRAINAGE STANDARD DETAILS SHEET 2	



5th Floor One Cornwall Street Birmingham B3 2DX
1 0121 212 7700
mail@watermangroup.com www.watermangroup.com

Drawing Status				
PRELIMINARY				
Designed by	SG	Checked by	DT	Project No
Drawn by	SG	Date	MAR 2021	WIE11386
Scales @ A1 work to figured dimensions only				
AS SHOWN		Computer File No		
WIE11386-41-90-2606 to 2607 - Drainage Standard Details.dwg				
Publisher	Zone	Category	Number	Revision
WIE	A41	90	2606	A03

SAFETY, HEALTH AND ENVIRONMENTAL INFORMATION UNUSUAL SIGNIFICANT HAZARDS

It is assumed that all works will be carried out by a competent contractor working, where appropriate, to an approved method statement. In addition to the hazards/risks normally associated with the types of work detailed on this drawing, note the following:

CONSTRUCTION	
1.	
2.	
3.	
MAINTENANCE / CLEANING	
1.	
2.	
3.	
DECOMMISSIONING / DEMOLITION	
1.	
2.	
3.	