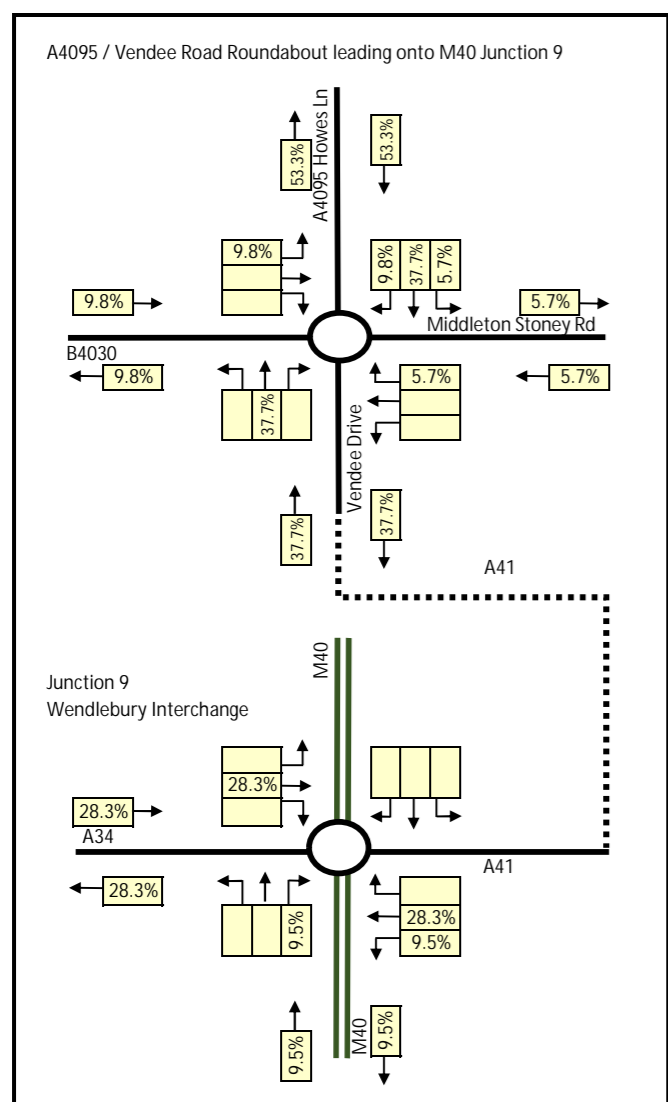


- Distribution**
- 15.6% North
  - 17.8% East
  - 16.7% South
  - 49.9% West
- Distribution @ Baynards Green**
- 5.7% A43 (south towards M40)
  - 4.0% B4100 (north towards Soldern)
  - 5.9% A43 (north towards Brackley)
  - 15.6% Total
- Distribution @ Banbury Rbt**
- 21.2% A4095 (east)
  - 10.0% Banbury Road (south)
  - 53.3% A4095 (west)
  - 84.4% Total
- Distribution @ Skimmingdish Rbt**
- 8.9% A4421 (towards Buckingham)
  - 12.3% Skimmingdish Lane
  - 21.2% Total
- Distribution @ Vendee Drive Rbt**
- 5.7% Middleton Stoney Road
  - 37.7% Vendee Drive
  - 9.8% B4030
  - 53.3% Total
- Distribution @ Junction 9**
- 0.0% M40 (North)
  - 9.5% M40 (South)
  - 28.3% A34 (West)
  - 37.7% Total



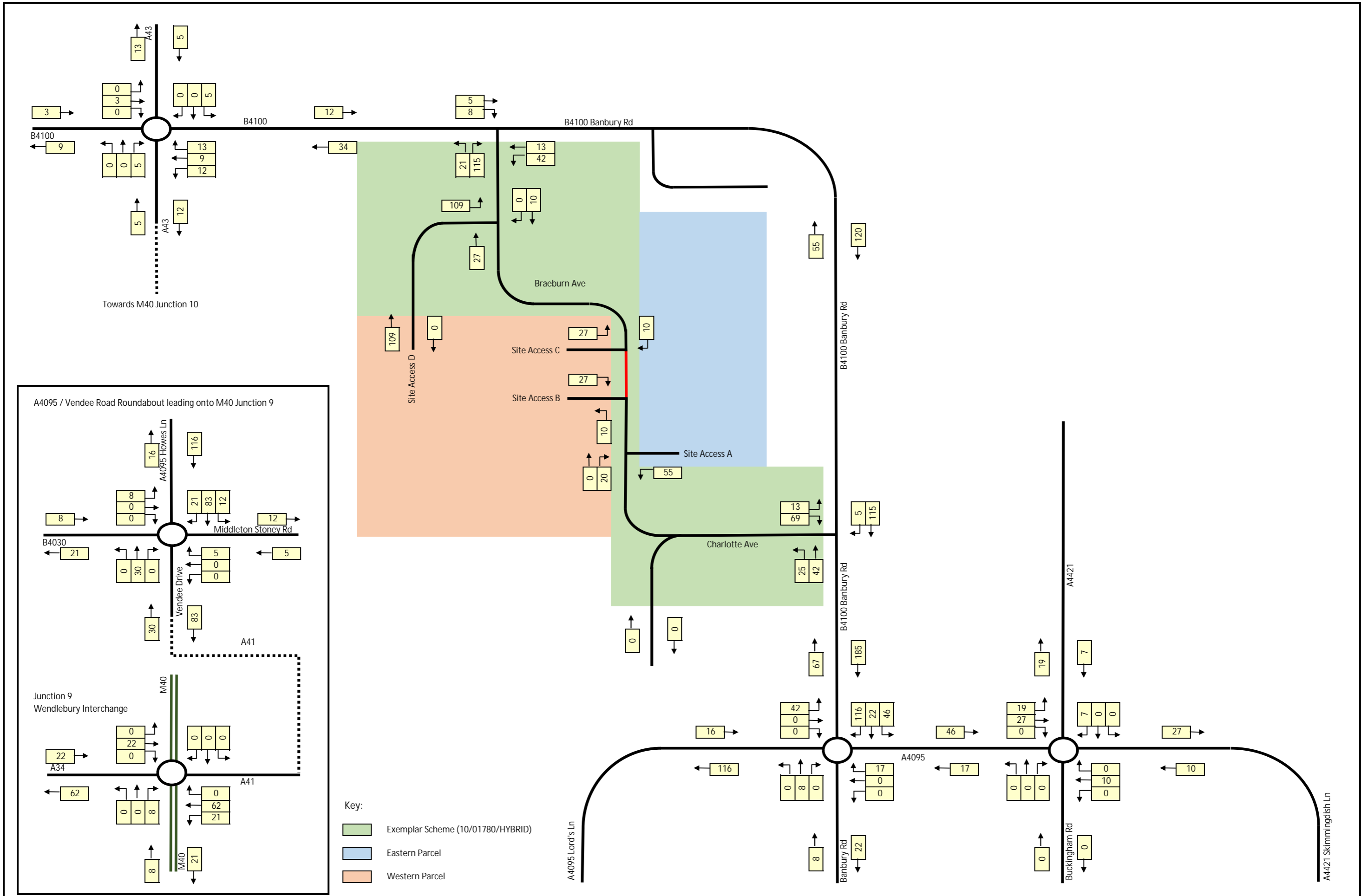
Project: Land at North West Bicester

Client: FirethornTRUST

Title: Proposed Development  
Agreed Distribution Profile (Including updated distribution at Junction 9)

Date: 25/08/2021  
Diagram: 10

VELOCITY  
Transport Planning  
[www.velocity-tp.com](http://www.velocity-tp.com)



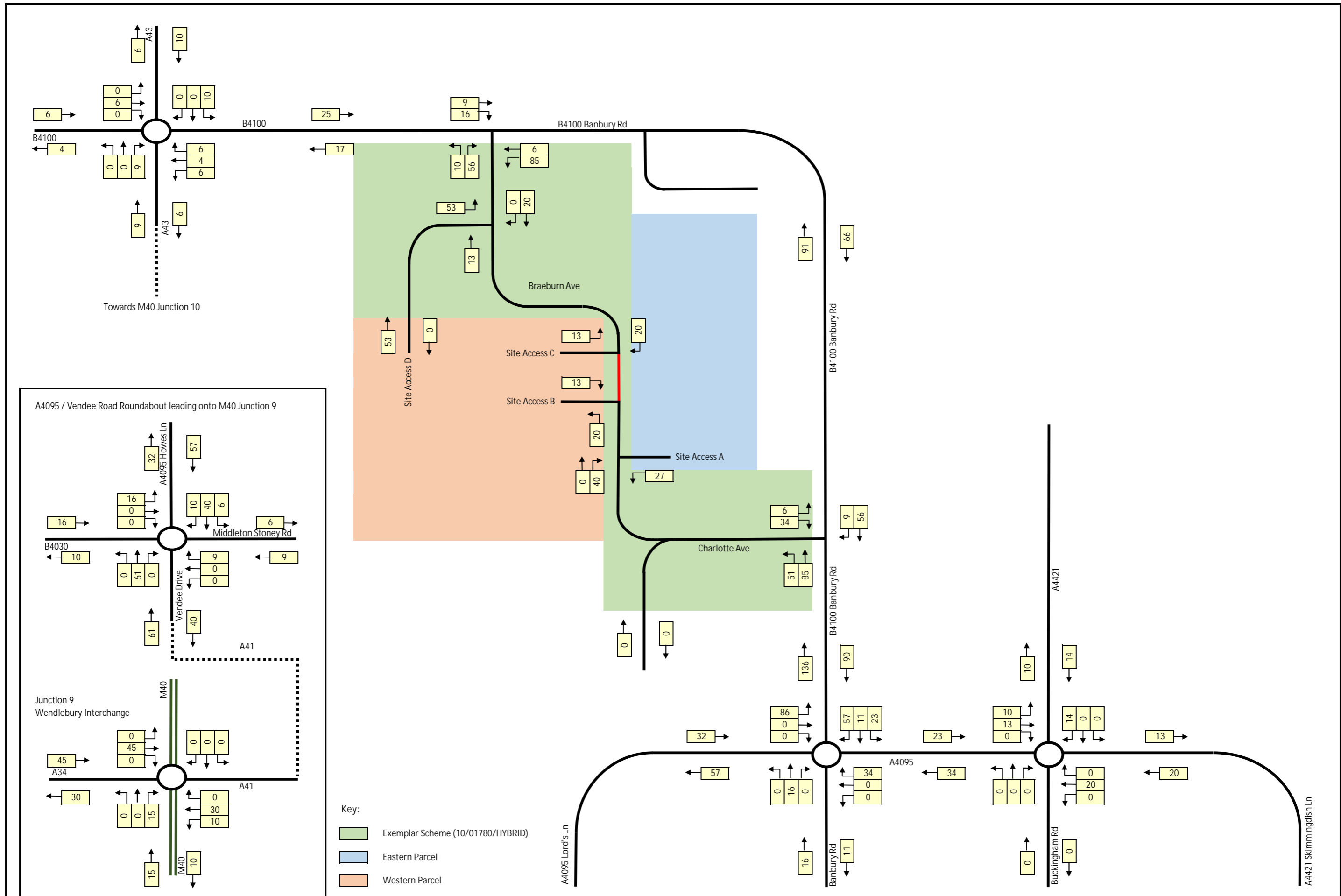
Project:  
Land at North West Bicester

Client:  
**Firethorn TRUST**

Title:  
Proposed Development Traffic Flows (Total Vehicles)  
AM Peak Hour

Date:  
25/08/2021  
Diagram:  
11

**VELOCITY**  
Transport Planning  
[www.velocity-tp.com](http://www.velocity-tp.com)



Project:  
Land at North West Bicester

Client:  
**FirethornTRUST**

Title:  
Proposed Development Traffic Flows (Total Vehicles)  
PM Peak Hour

Date:  
25/08/2021  
Diagram:  
12

**VELOCITY**  
Transport Planning  
[www.velocity-tp.com](http://www.velocity-tp.com)