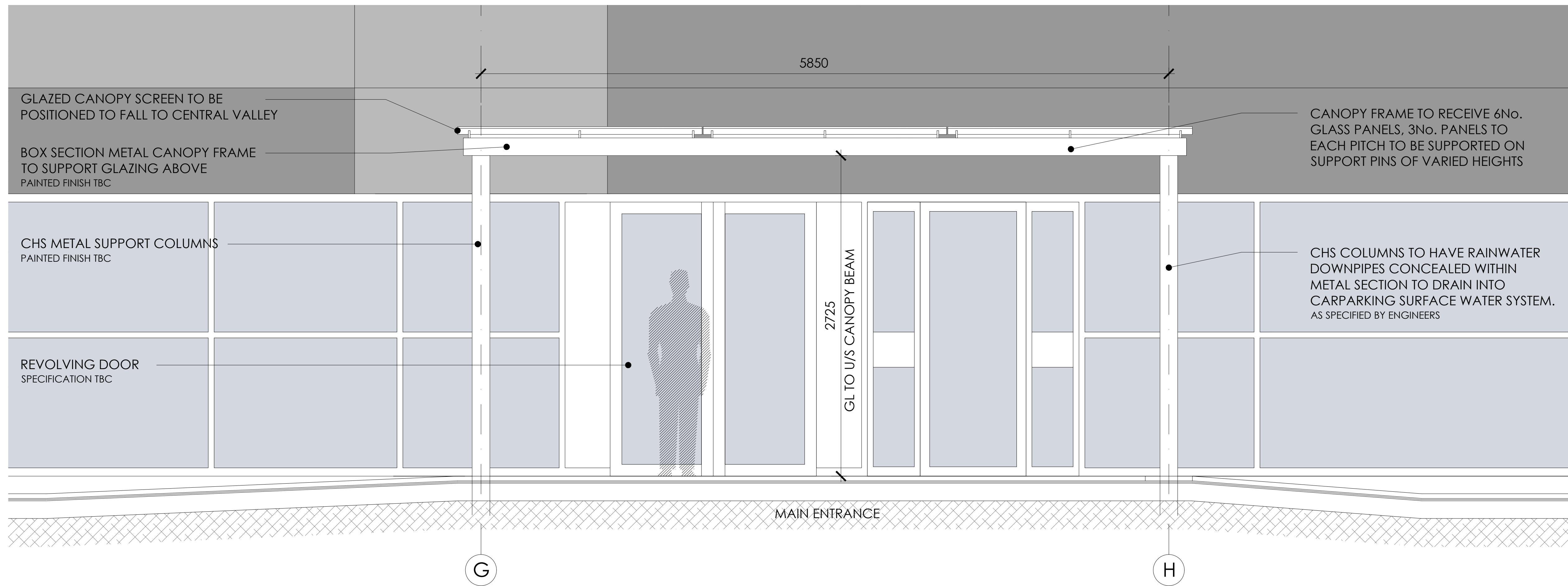


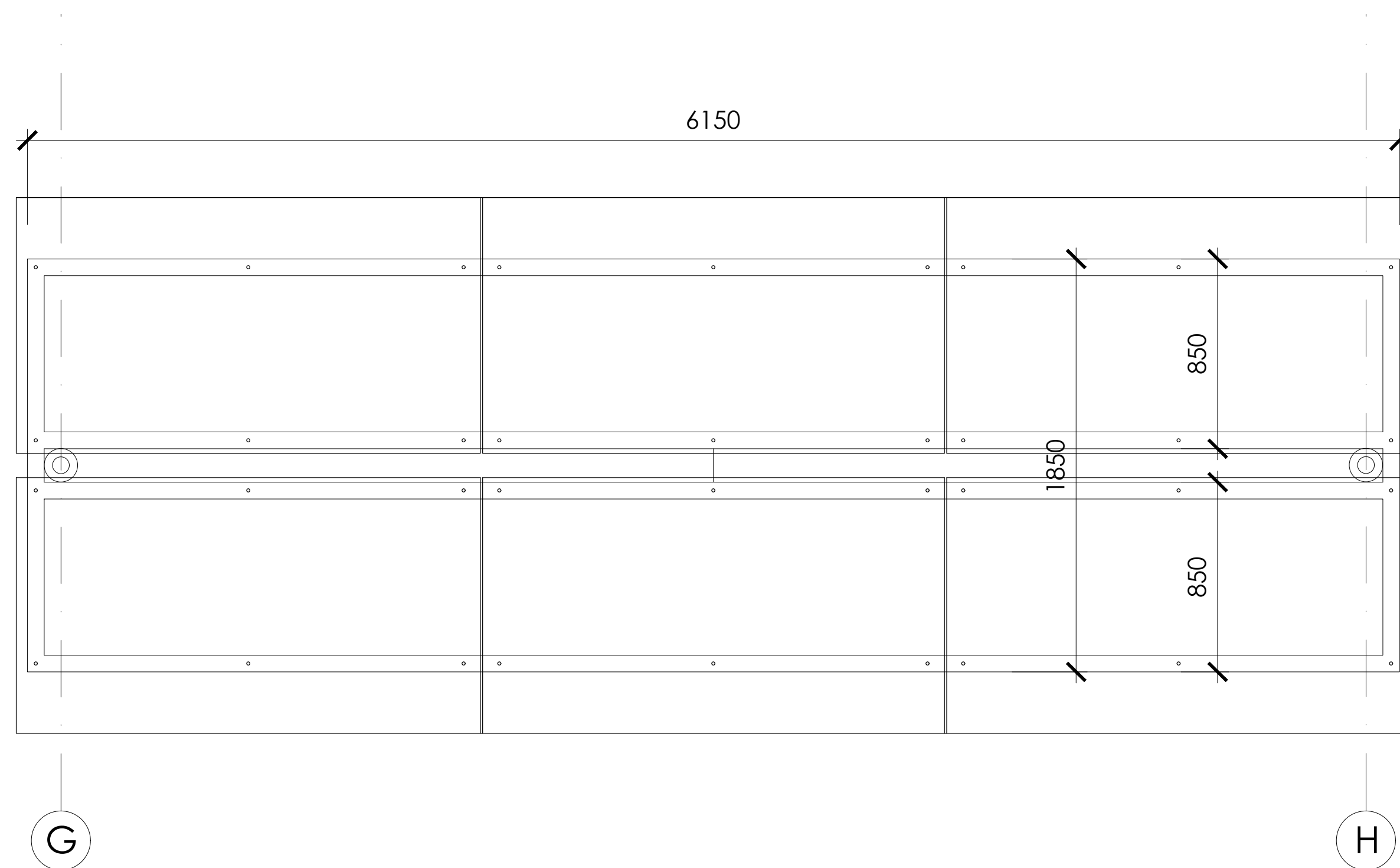
- IF THIS DRAWING HAS BEEN RECEIVED ELECTRONICALLY IT IS THE RECIPIENT'S RESPONSIBILITY TO PRINT THE DOCUMENT TO THE CORRECT SCALE.
- ALL DIMENSIONS ARE IN MILLIMETRES UNLESS STATED OTHERWISE. IT IS RECOMMENDED THAT INFORMATION IS NOT SCALED OFF THIS DRAWING.
- THIS DRAWING SHOULD BE READ IN CONJUNCTION WITH ALL OTHER RELEVANT DRAWINGS AND SPECIFICATIONS.

- 4 CURTAIN WALLING / WINDOWS  
FULLY THERMALLY BROKEN, POLYESTER POWDER COATED ALUMINIUM WINDOW SYSTEM COMPLETE WITH FACTORY SEALED DOUBLE GLAZED UNITS. SPANDREL PANELS ARE TO BE PILKINGTON SPANDREL GLASS (OR SIMILAR) OPAQUE GLASS PANELS.  
COLOUR : RAL TBC  
GLASS TO BE ANTI - SUN GLASS.

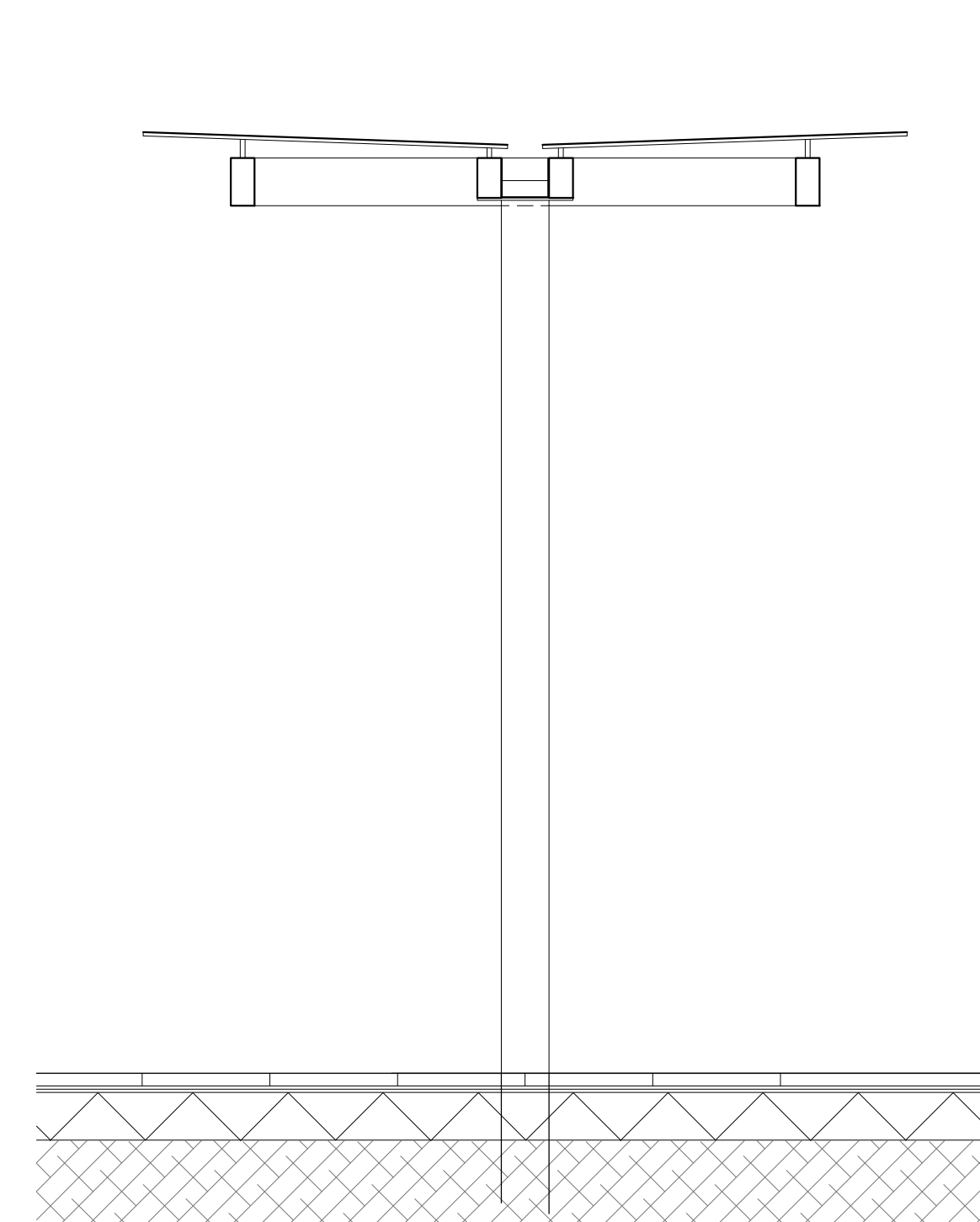
- COLOUR / SHADE KEY
- GLASS - CLEAR  
RAL : TBC
  - GLASS - LOOK-A-LIKE PANEL  
RAL : TBC



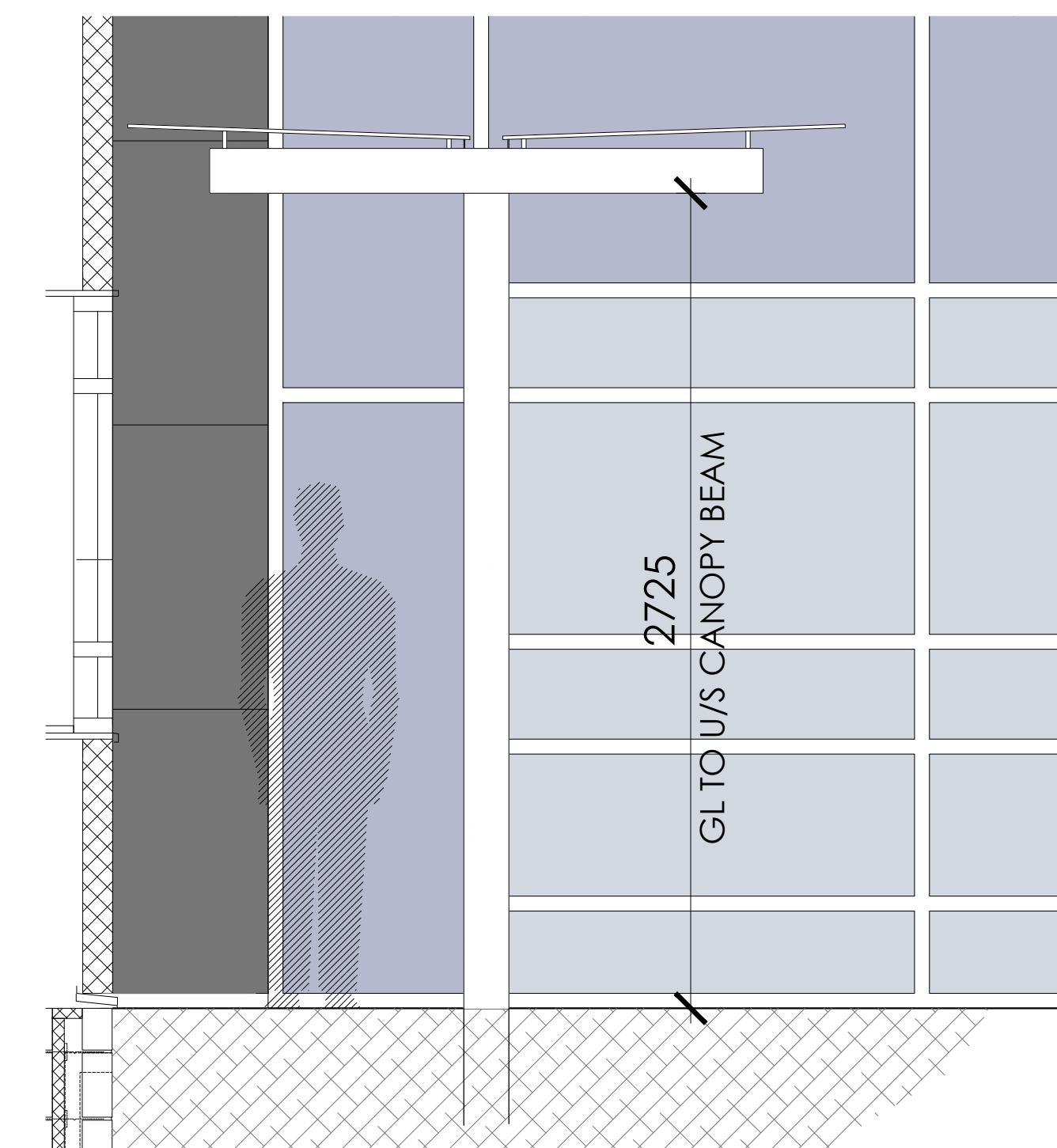
FRONT ELEVATION  
SCALE 1:20



GROUND FLOOR PLAN  
SCALE 1:20



SECTION  
SCALE 1:20



SIDE ELEVATION  
SCALE 1:20

PLANNING ISSUE

REV.	DESCRIPTION	DATE	AUTHD
PL1	PLANNING ISSUE 1	05.02.21	MD
REV.	AMENDMENT		

client : HILL STREET HOLDINGS

project : OXFORD TECHNOLOGY PARK

site : LANGFORD LANE  
KIDLINGTON, OXFORDSHIRE

content : UNIT ONE  
EXTERNAL CANOPY

date : SEP 2020

scale : 1 : 20 @ A1

ALL DIMENSIONS TO BE CHECKED ON SITE

GARRETT MCKEE ARCHITECTS

RILEY HOUSE  
RILEY ROAD  
MARLOW  
BUCKINGHAMSHIRE  
T. 01628 907000  
www.garrettmckee.co.uk

drg.no : 2604 AA(0) 101 PL1