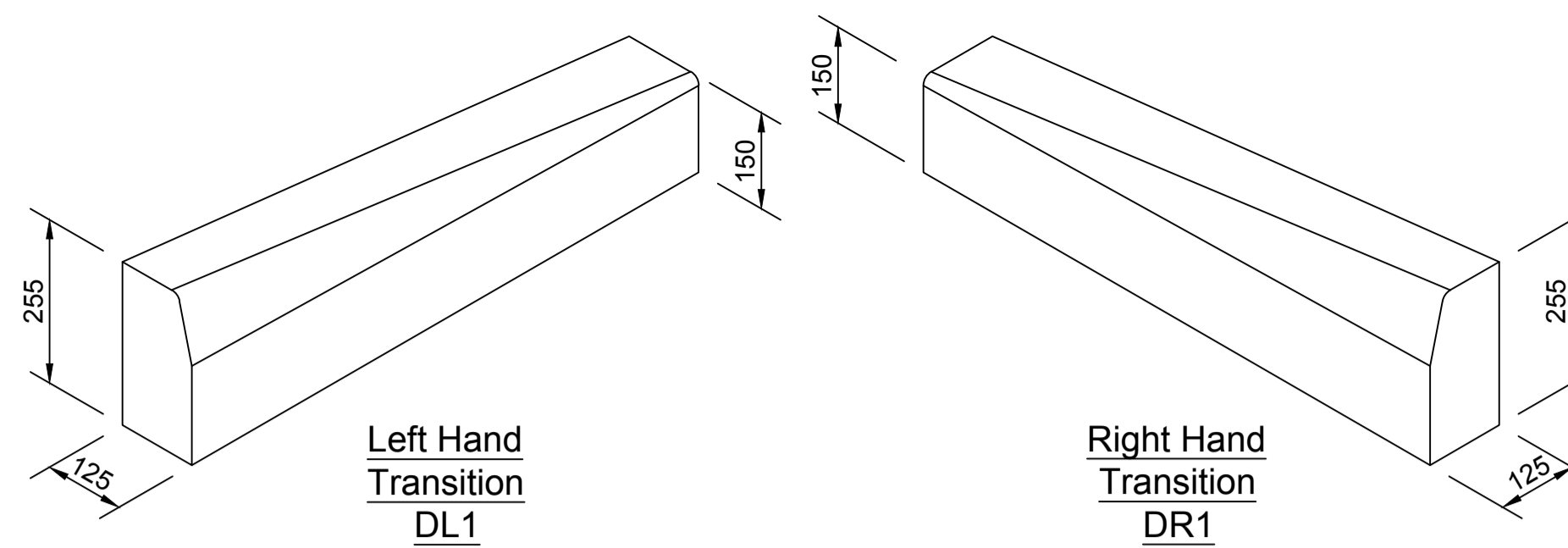


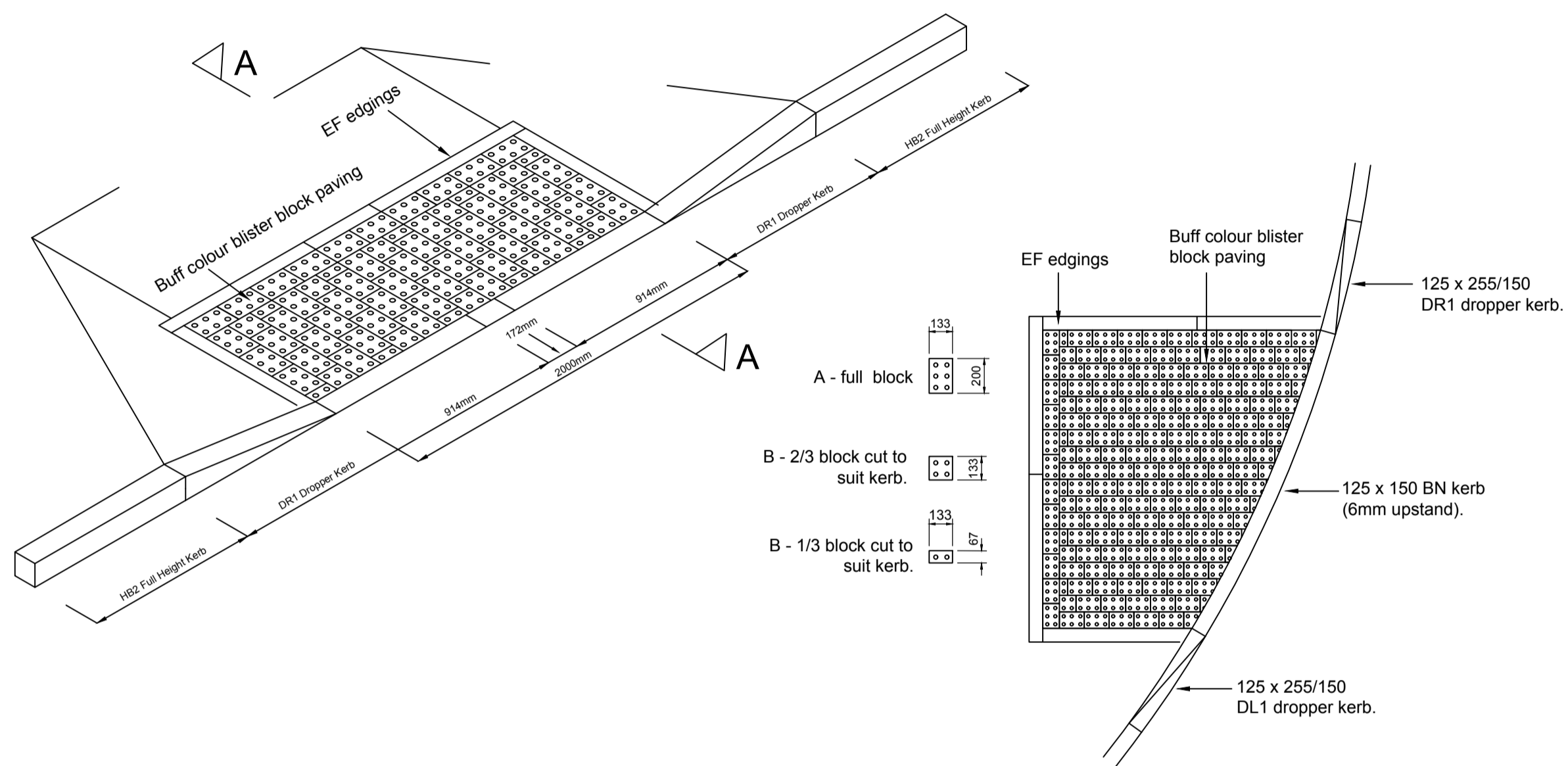
**TYPE BN:**  
**BULLNOSED DROPPED KERB**  
SCALE 1:10

**TYPE EF:**  
**FLAT TOP EDGING**  
SCALE 1:10

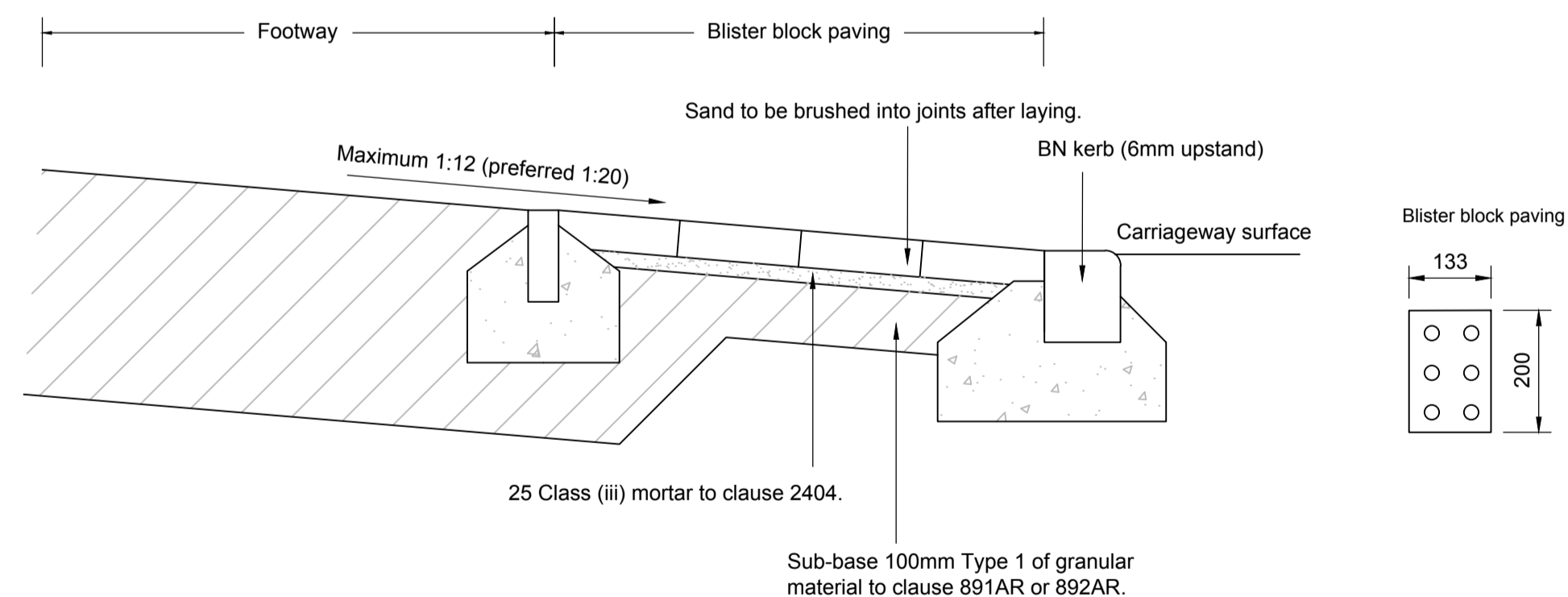
**TYPE HB2**  
**(HALF BATTERED KERB)**  
SCALE 1:10



**TRANSITION KERBS DL1 AND DR1**  
**(HB2 TO BN)**  
SCALE 1:10



**UNCONTROLLED CROSSING**  
NOT TO SCALE



**SECTION A - A**  
**BLISTER BLOCK PAVING**  
1:10

REVISIONS (CONTINUED)

REVISIONS

Rev	Date	Description	By	Clk	App
P02	02/02/2021	Construction details amended.	RAP	RJP	RAP
P01	07/12/2020	First Issue.	RAP	RJP	RAP



CLIENT  
L & Q ESTATES

PROJECT  
WYKHAM PARK FARM,  
BANBURY

TITLE  
ANCILLARY ROADS  
HIGHWAY CONSTRUCTION DETAILS  
SHEET 2 OF 2

HYDROCK PROJECT NO.  
C-04841-C

SCALE @ A1  
AS SHOWN

STATUS DESCRIPTION  
PLANNING

STATUS  
S2

DRAWING NO. (PROJECT CODE-ORIGINATOR-ZONE-LEVEL-TYPE-ROLE-NUMBER)  
WPF-HYD-XX-XX-DR-C-0406

REVISION  
P02