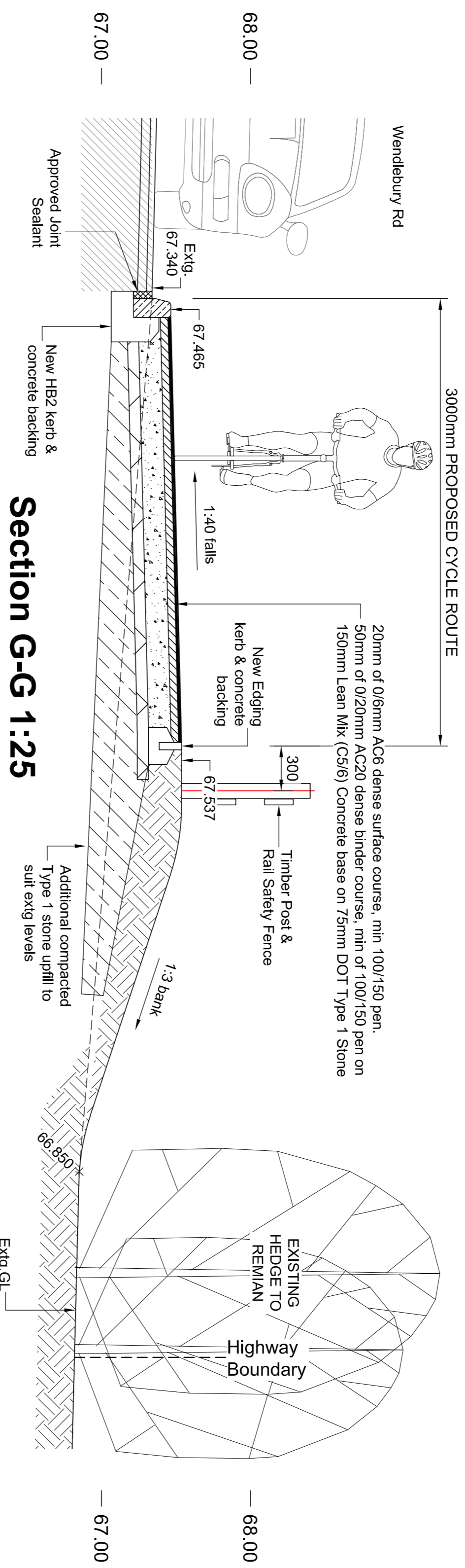
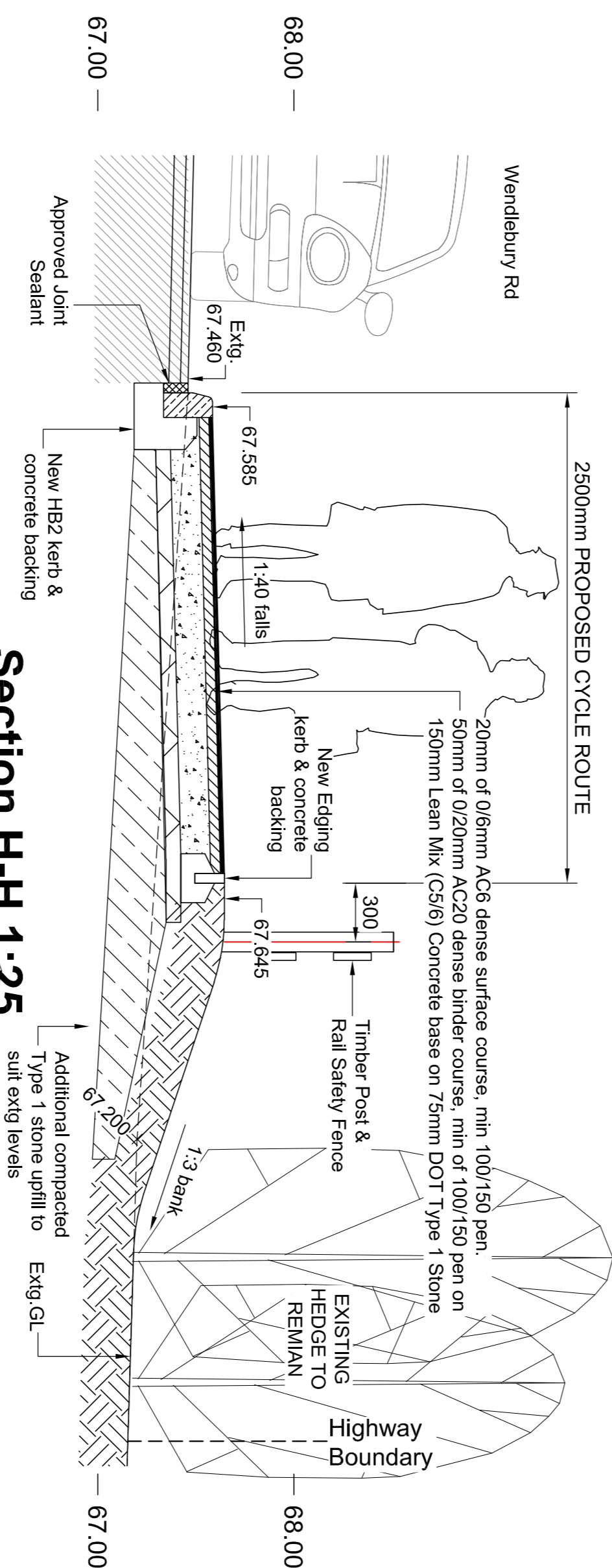


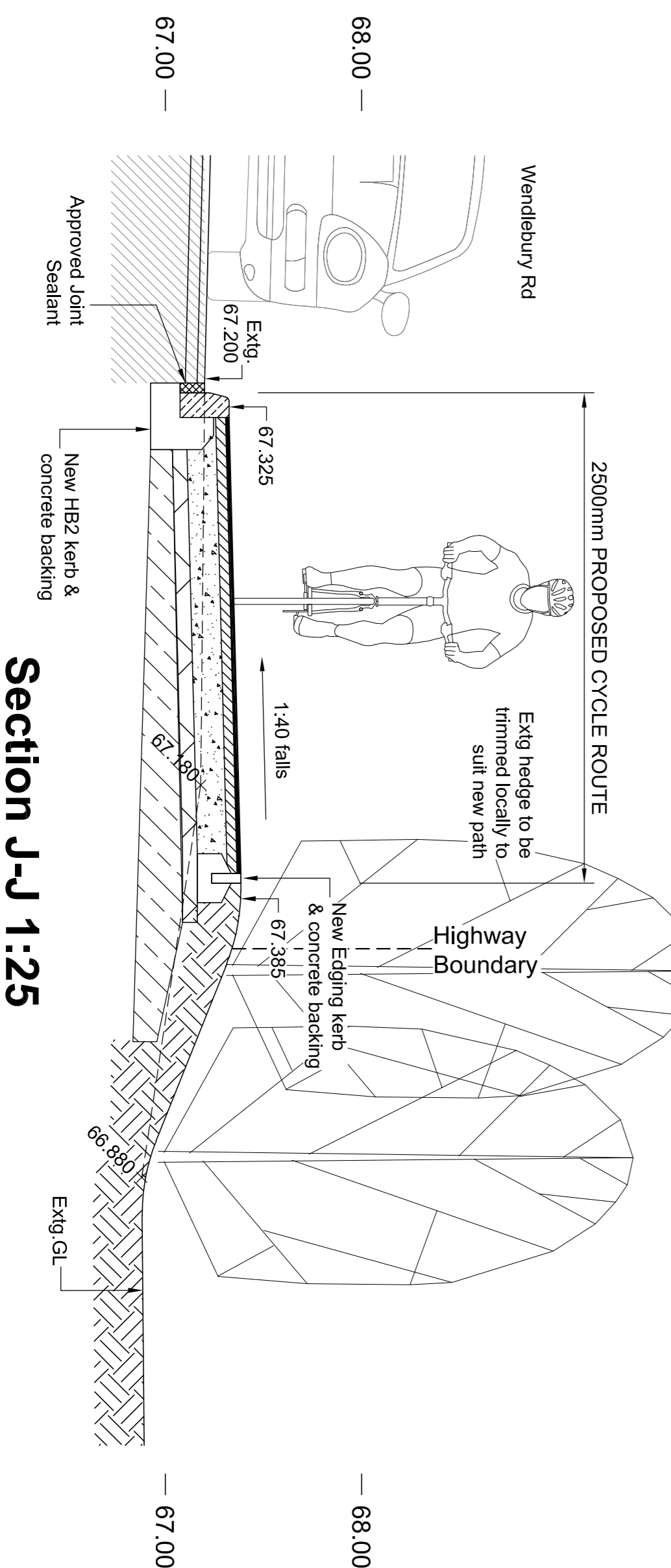
**Section F-F 1:25**



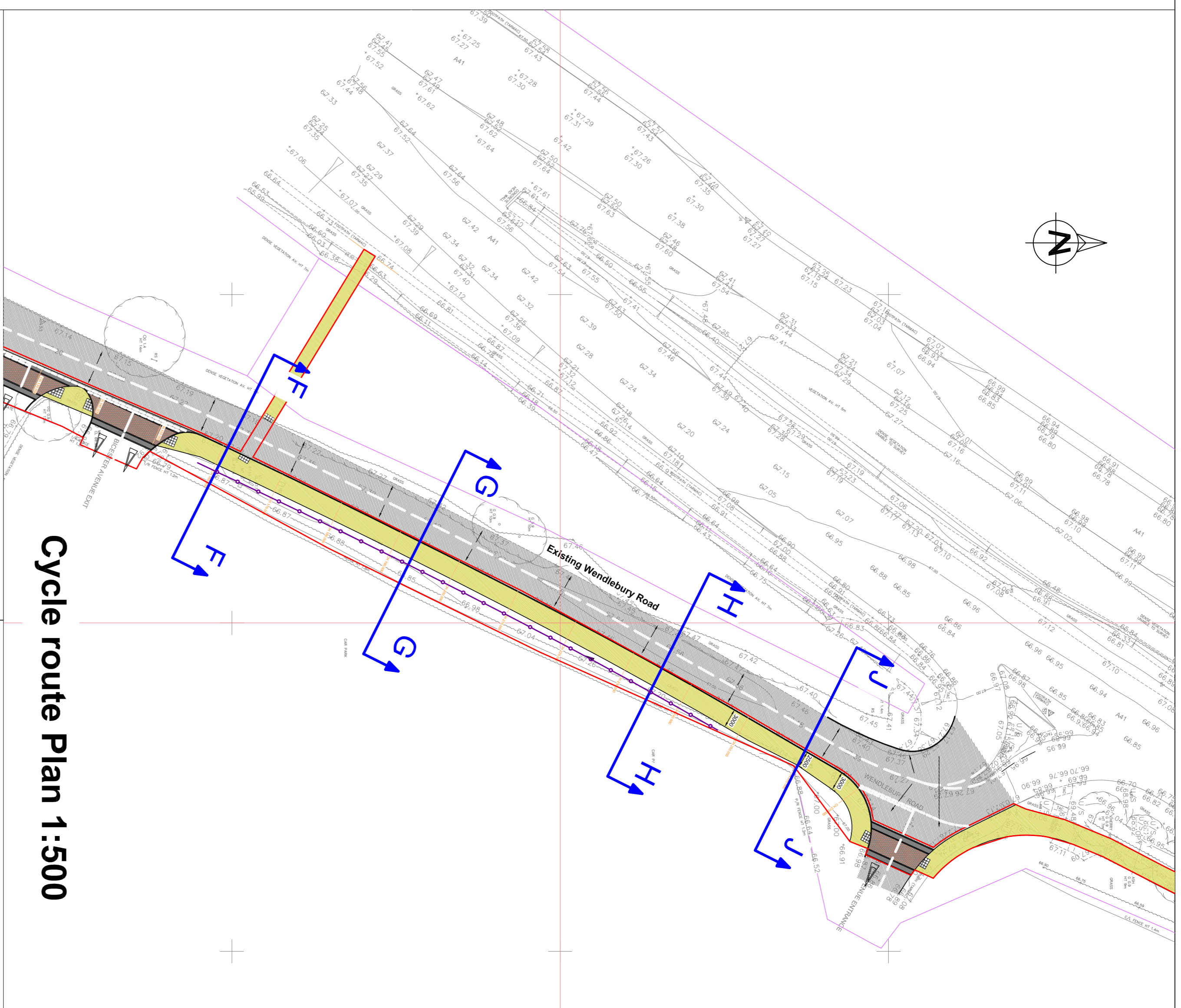
**Section G-G 1:25**



**Section H-H 1:25**



**Section J-J 1:25**



**Cycle route Plan 1:500**

**S278 AGREEMENT**

Rev	Date	Revision Description
D	24.11.20	TECHNICAL AUDIT RESPONSE
C	22.10.20	RSA STAGE 2 RESPONSE
B	21.08.20	TECHNICAL SUBMISSION
A	07.07.20	ISSUED FOR S278 APPROVAL

Revision Schedule

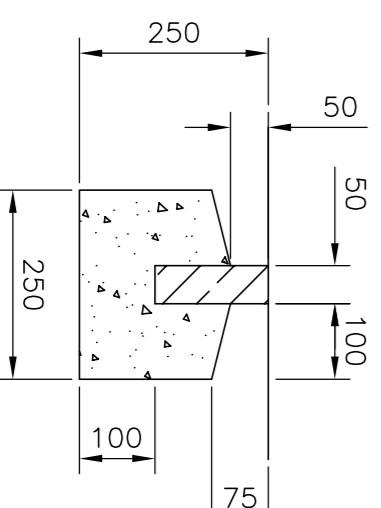
**Catalyst Bicester**  
Wendlebury Road

**Albion Land Plc.**

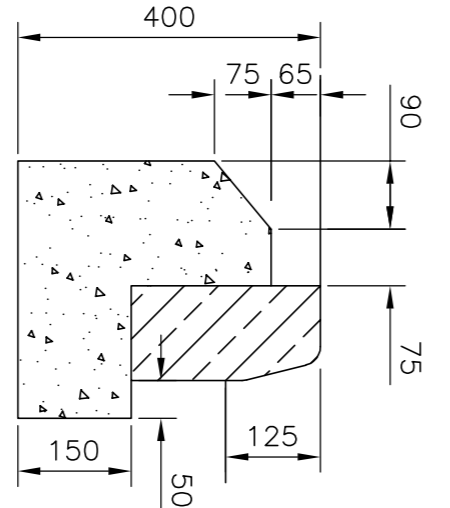
**SECTION 278 WORKS**  
CYCLE ROUTE SECTIONS

**BAILEY JOHNSON HAYES**  
Consulting Engineers

EDGING KERB/FLUSH  
precast concrete kerb to bsen1340  
50x150mm type EF square top kerb laid  
flush, haunching in ST4 concrete



HALF BATTERED KERB  
precast concrete kerb to bsen1340  
125x255mm type HB2 with 125mm  
upstand haunching in ST4 concrete



STABLINS: Site 4, Phoenix House, 83 Campfield Rd, STABLINS, HERS ALI 5FL MANCHESTER, Greater Manchester, M20 9FW	<b>S1358-S278-19D</b>
Scale 1:500, 25@A1 Date 02.04.20 Drawn DJC	