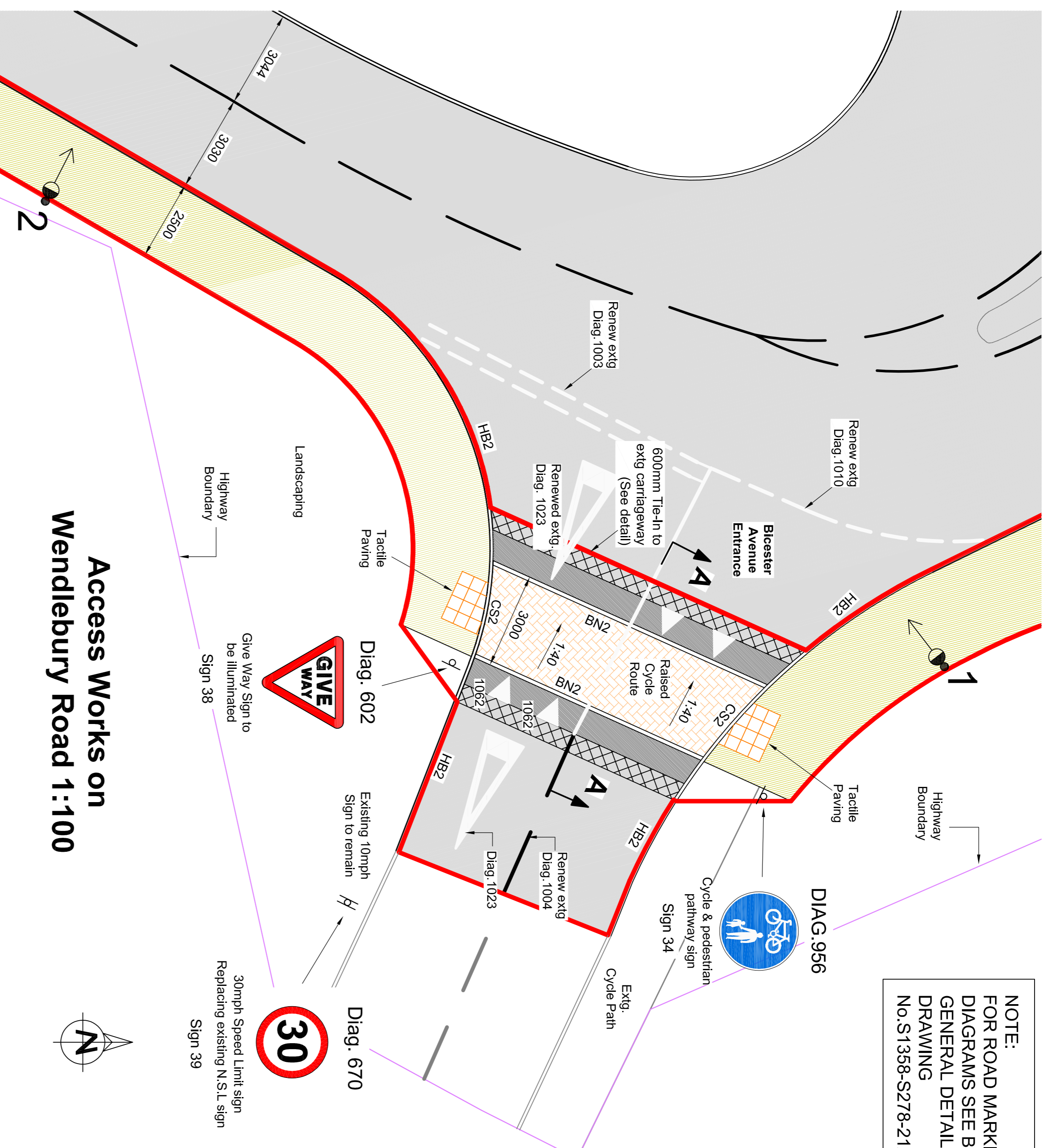
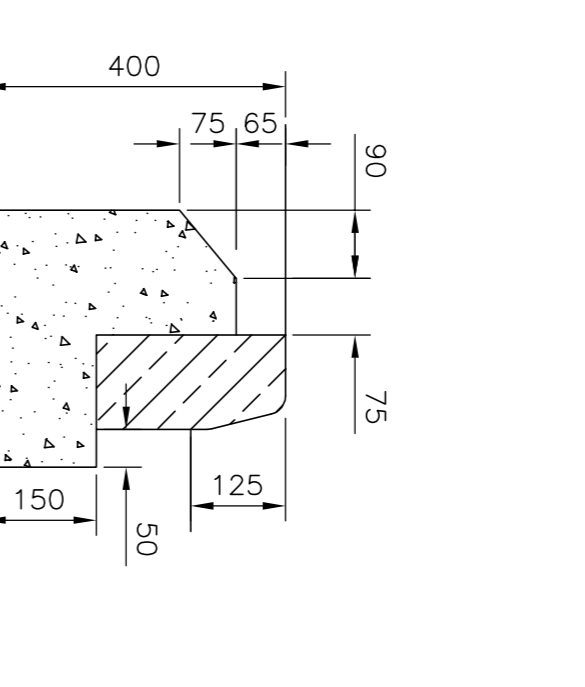
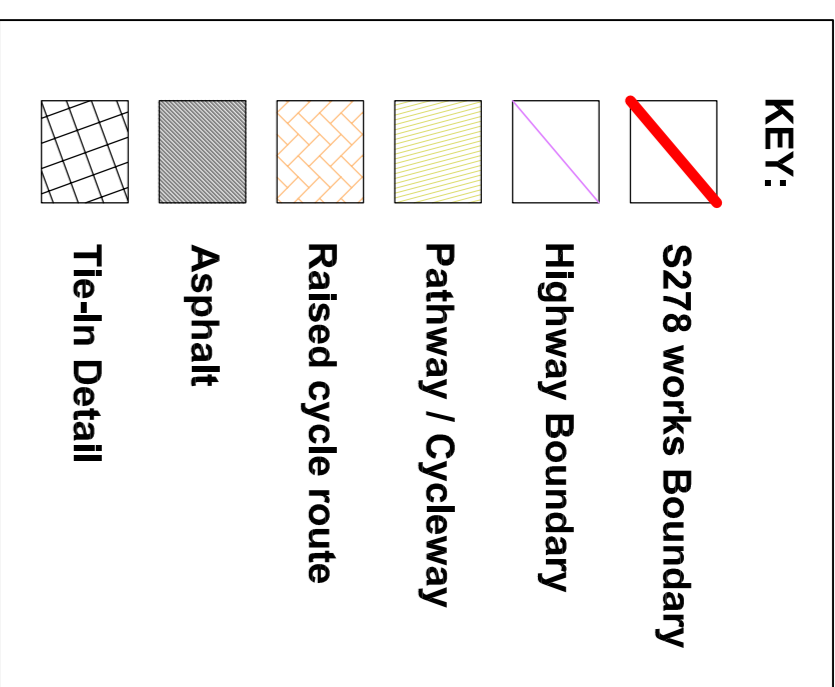
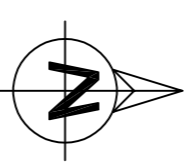


NOTE:
FOR ROAD MARKING
DIAGRAMS SEE BIJH
GENERAL DETAILS
DRAWING
NO. S13358-S278-21A

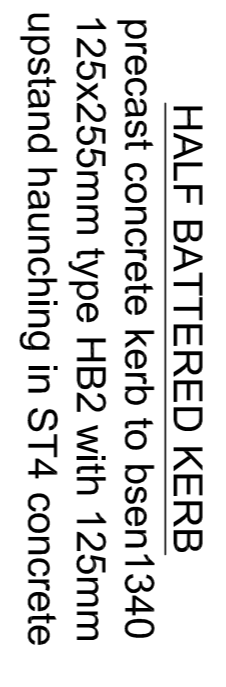


Access Works on Wendlebury Road 1:100



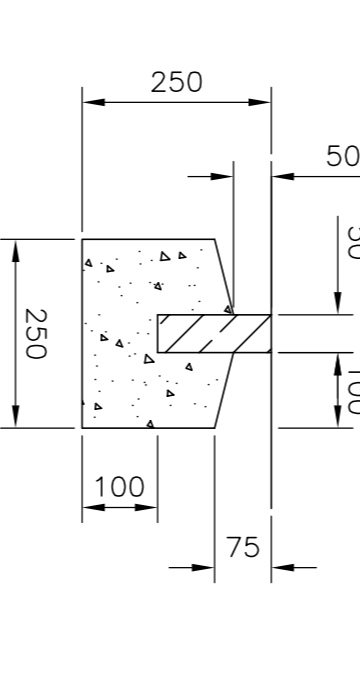
SCHEMATIC REF: Wendlebury Road, Bicester

SIGN REF: DIAG. 957	SIGN FACE
DETAIL COLOUR: WHITE	HEIGHT: 300mm
BACKGROUND COLOUR: BLUE	AREA: 1.07730m ²
BOARDER COLOUR: WHITE	AREA: 0.118150m ²
BOARDER COLOUR: WHITE	AREA: 0.118150m ²
MATERIAL: CONCRETE	HEIGHT: 75mm



SCHEMATIC REF: Wendlebury Road, Bicester

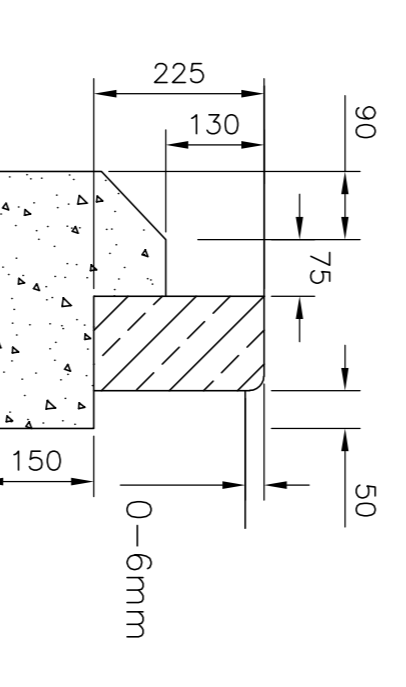
SIGN REF: DIAG. 602	SIGN FACE
DETAIL COLOUR: BLACK	HEIGHT: 400mm
BACKGROUND COLOUR: WHITE	AREA: 1.52830m ²
BOARDER COLOUR: RED	AREA: 0.118150m ²
BOARDER COLOUR: RED	AREA: 0.118150m ²
MATERIAL: CONCRETE	HEIGHT: 75mm



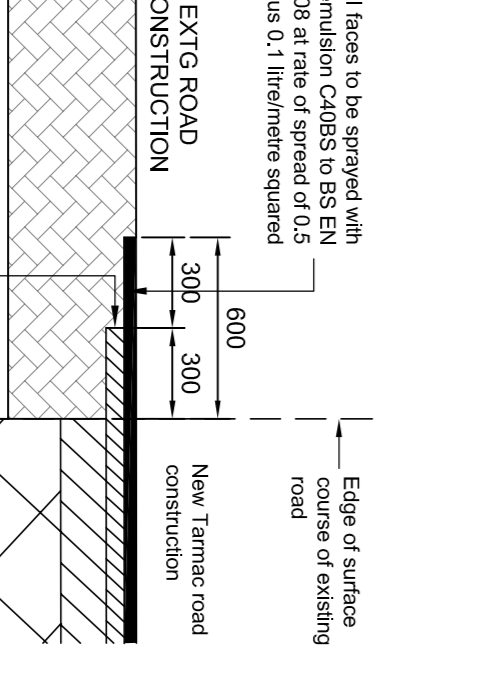
SCHEMATIC REF: Wendlebury Road, Bicester

SIGN REF: DIAG. 670	SIGN FACE
DETAIL COLOUR: BLACK	HEIGHT: 400mm
BACKGROUND COLOUR: WHITE	AREA: 1.52830m ²
BOARDER COLOUR: RED	AREA: 0.118150m ²
BOARDER COLOUR: RED	AREA: 0.118150m ²
MATERIAL: CONCRETE	HEIGHT: 75mm

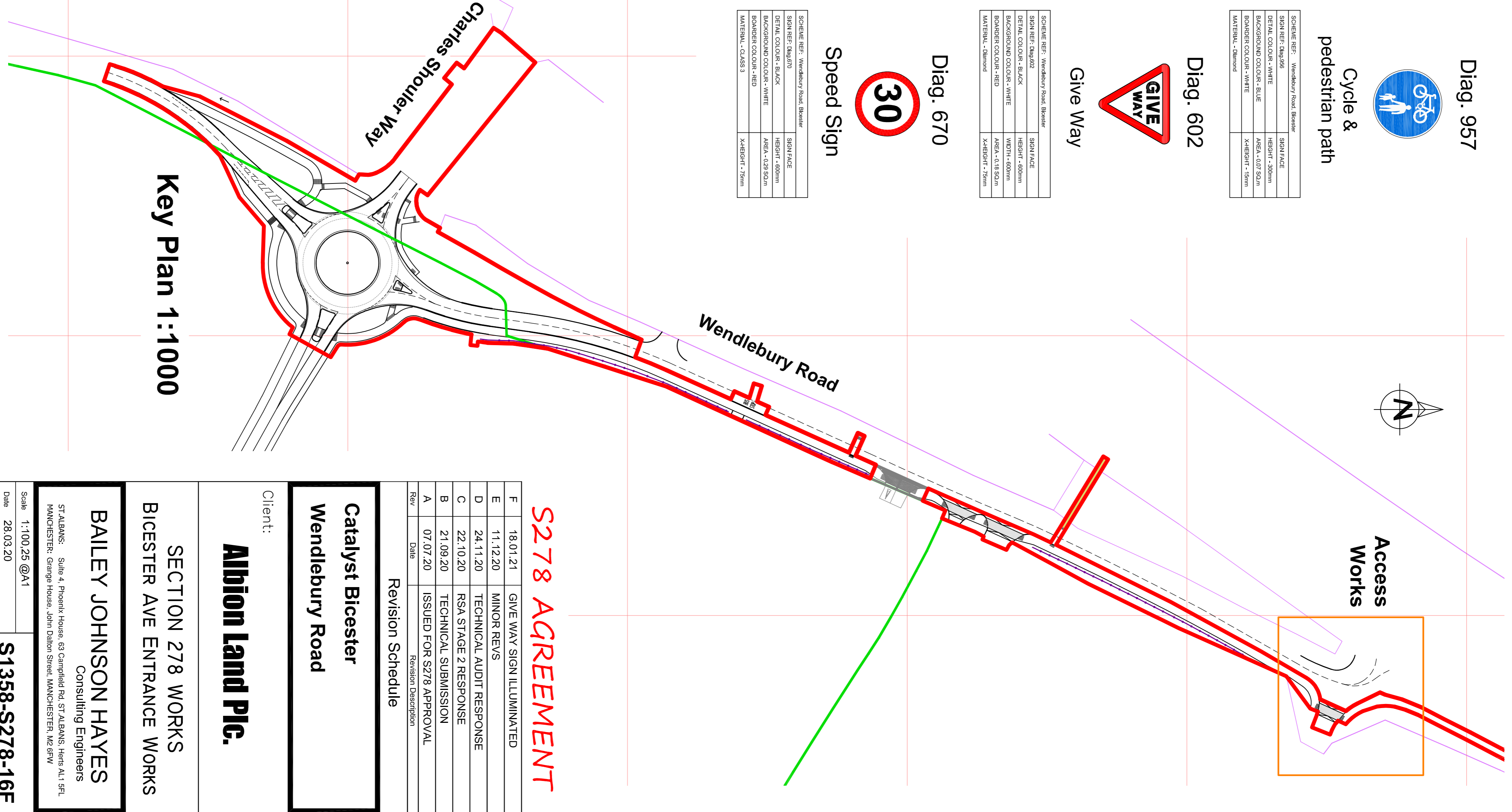
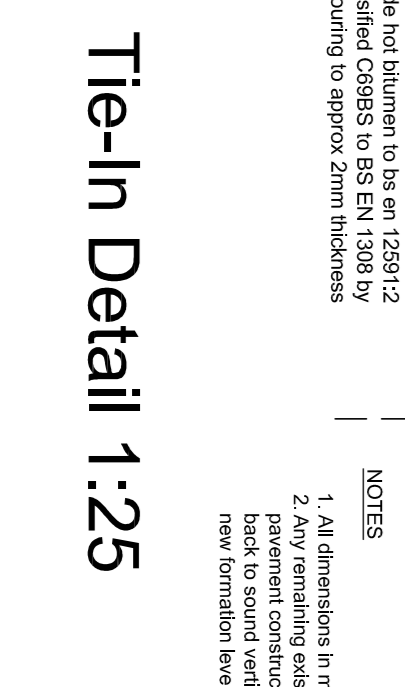
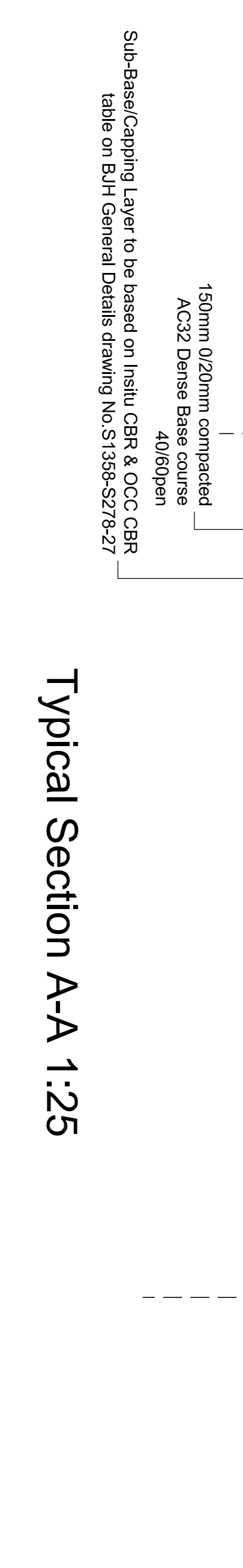
EDGING KERB (FLUSH)
precast concrete kerb to bsen1340
50x150mm type EF square top kerb laid
flush, haunching in ST4 concrete



BULLNOSED KERB (BN2)
precast concrete kerb to bsen1340
125x225 with 0-6mmmm upstand type BN
haunching in ST4 concrete



Typical Section A-A 1:25



S278 AGREEMENT

F	18.01.21	GIVE WAY SIGN ILLUMINATED
E	11.12.20	MINOR REVS
D	24.11.20	TECHNICAL AUDIT RESPONSE
C	22.10.20	RSA STAGE 2 RESPONSE
B	21.09.20	TECHNICAL SUBMISSION
A	07.07.20	ISSUED FOR S278 APPROVAL
Rev	Date	Revision Description

Catalyst Bicester
Wendlebury Road

Albion Land Plc.

SECTION 278 WORKS
BICESTER AVE ENTRANCE WORKS

BAILEY JOHNSON HAYES
Consulting Engineers

STALBANS: Suite 4, Phoenix House, 83 Campfield Rd, STALBANS, Herts AL1 5PL
MANCHESTER: Garage House, John Dalton Street, MANCHESTER, M2 6FW
Scale: 1:100, 25 @A1
Date: 28.03.20
Drawn: DJC
S13358-S278-16F