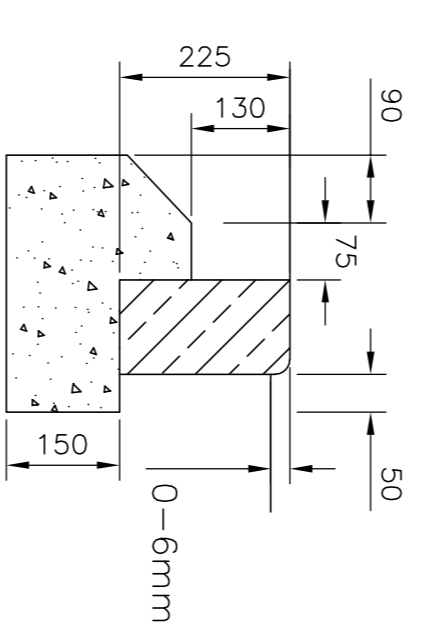
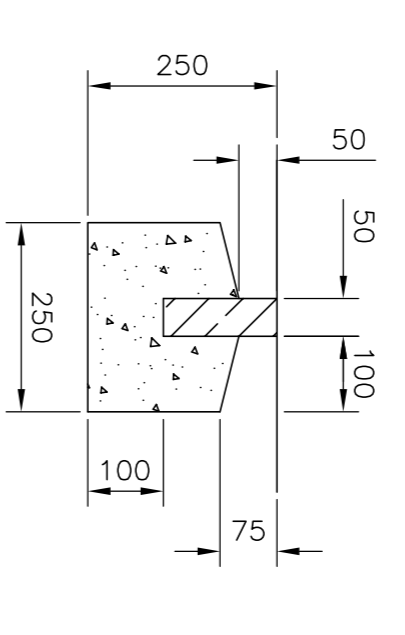


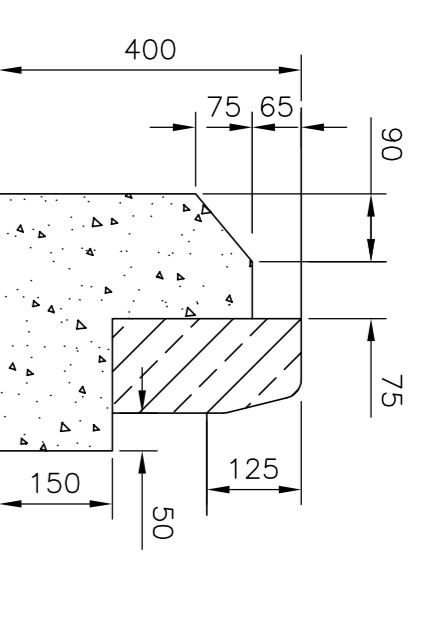
BULLNOSED KERB (BN2)
Precast concrete kerb to bsen1340 125x225 with 0-6mmmm upstand type BN haunching in ST 4 concrete



EDGING KERB(FLUSH)
precast concrete kerb to bsen1340 50x150mm type EF square top kerb laid flush, haunching in ST 4 concrete



HALF BATTERED KERB
precast concrete kerb to bsen1340 125x255mm type HB2 with 125mm upstand haunching in ST 4 concrete



SCHEDULE REF:	Wendlebury Road Bicester	SIGN FACE
SIGN REF:	Diag.957	HEIGHT - 200mm
DETAIL COLOUR:	WHITE	AREA - 807 SQ.M
BACKSCATTERING COLOUR:	BLUE	X-HEIGHT - 150mm
ROADSIDE COLOUR:	WHITE	MATERIAL - Chirovard

Cycle & pedestrian path



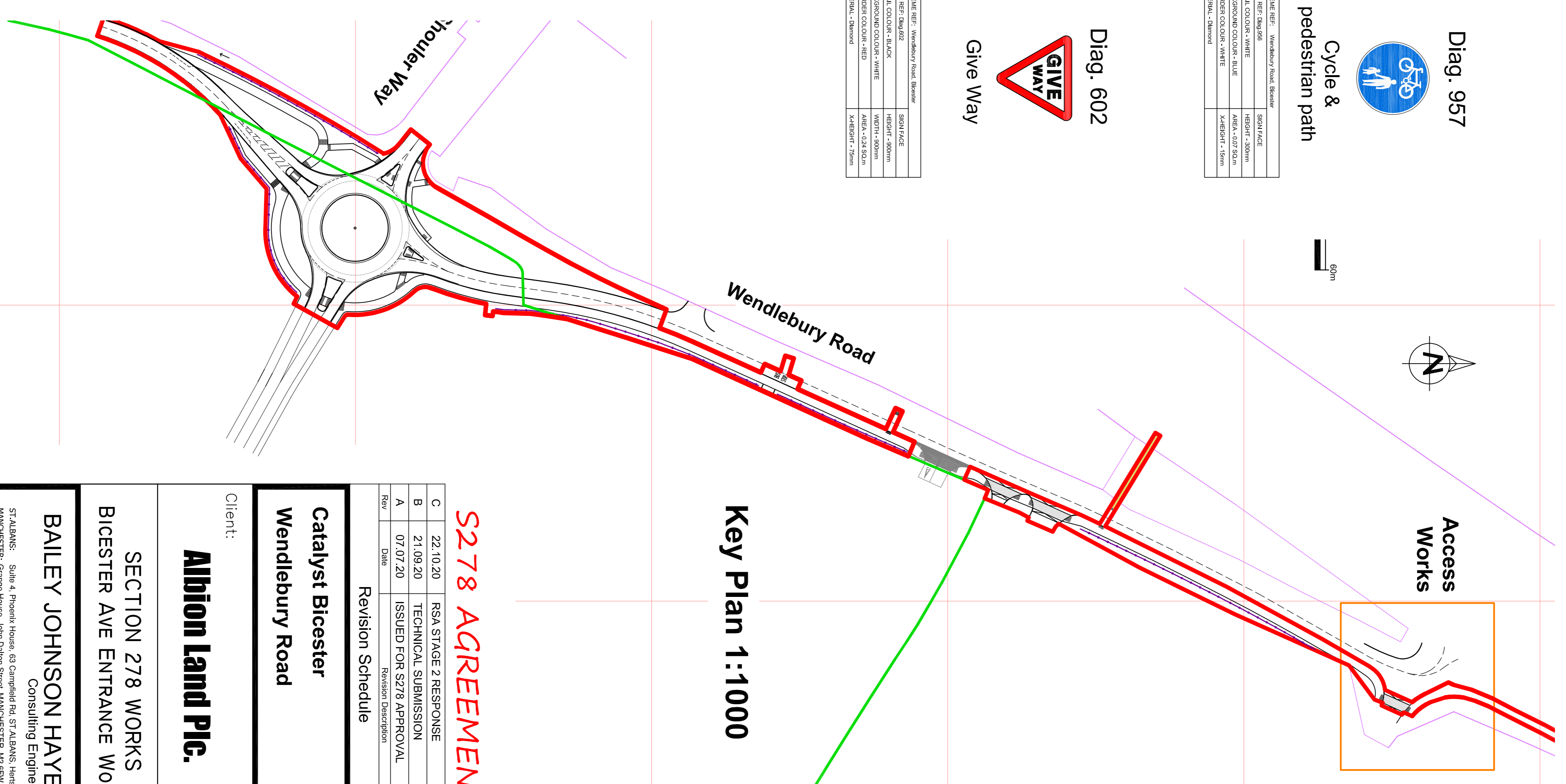
Diag. 957

SCHEDULE REF:	Wendlebury Road Bicester	SIGN FACE
SIGN REF:	Diag.602	HEIGHT - 500mm
DETAIL COLOUR:	BLACK	WIDTH - 500mm
BACKSCATTERING COLOUR:	WHITE	AREA - 424 SQ.M
ROADSIDE COLOUR:	RED	X-HEIGHT - 75mm
MATERIAL:	Chirovard	

Give Way



Diag. 602



S278 AGREEMENT

C	22.10.20	RSA STAGE 2 RESPONSE
B	21.09.20	TECHNICAL SUBMISSION
A	07.07.20	ISSUED FOR S278 APPROVAL
Rev	Date	Revision Description

Catalyst Bicester
Wendlebury Road

Albion Land Plc.

SECTION 278 WORKS
BICESTER AVE ENTRANCE WORKS

BAILEY JOHNSON HAYES
Consulting Engineers

STALBINS Site 4, Phoenix House, 83 Campfield Rd, STALBINS, Here AL1 5PL
MANCHESTER: Georgia House, John Dalton Street, MANCHESTER, M2 6FW
Scale 1:100.25 @A1
Date 28.03.20
Drawn DJC
S1358-S278-16C