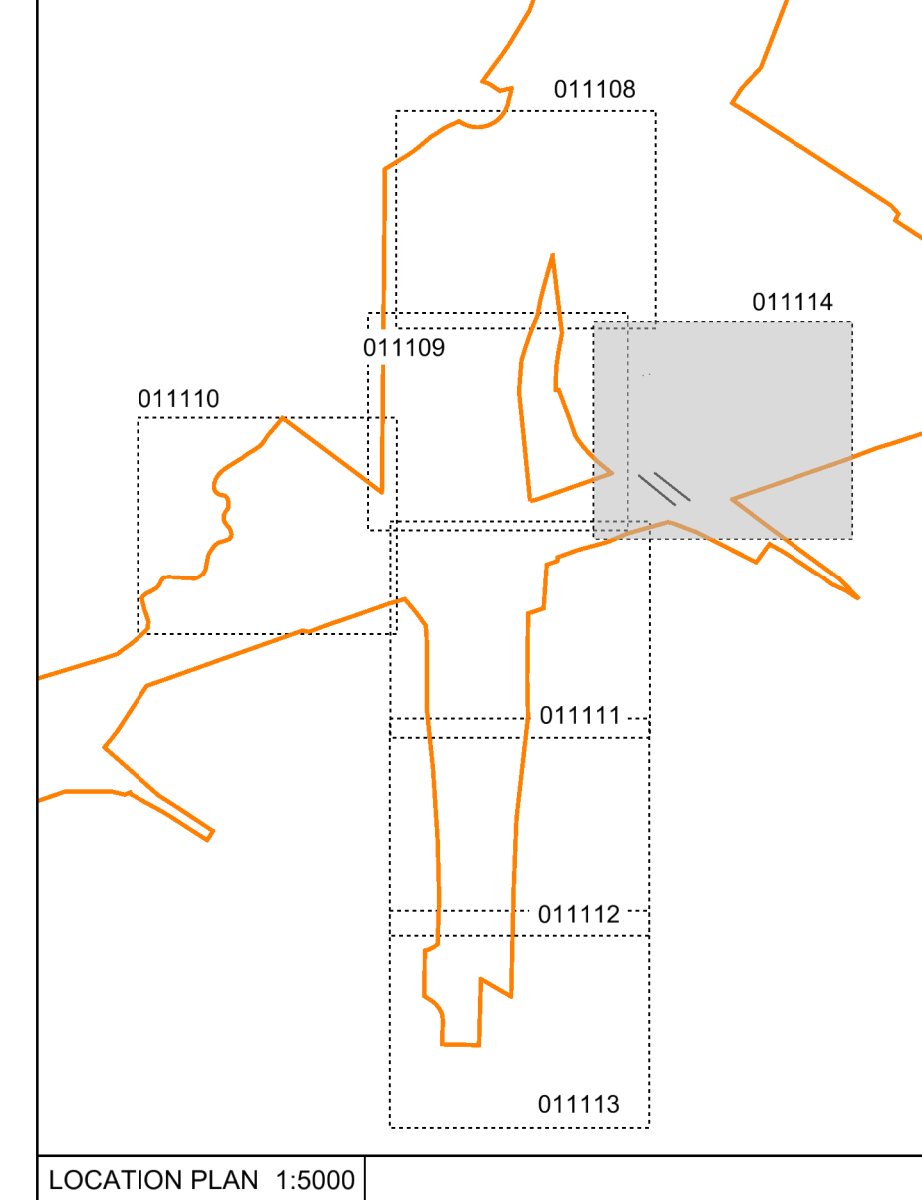
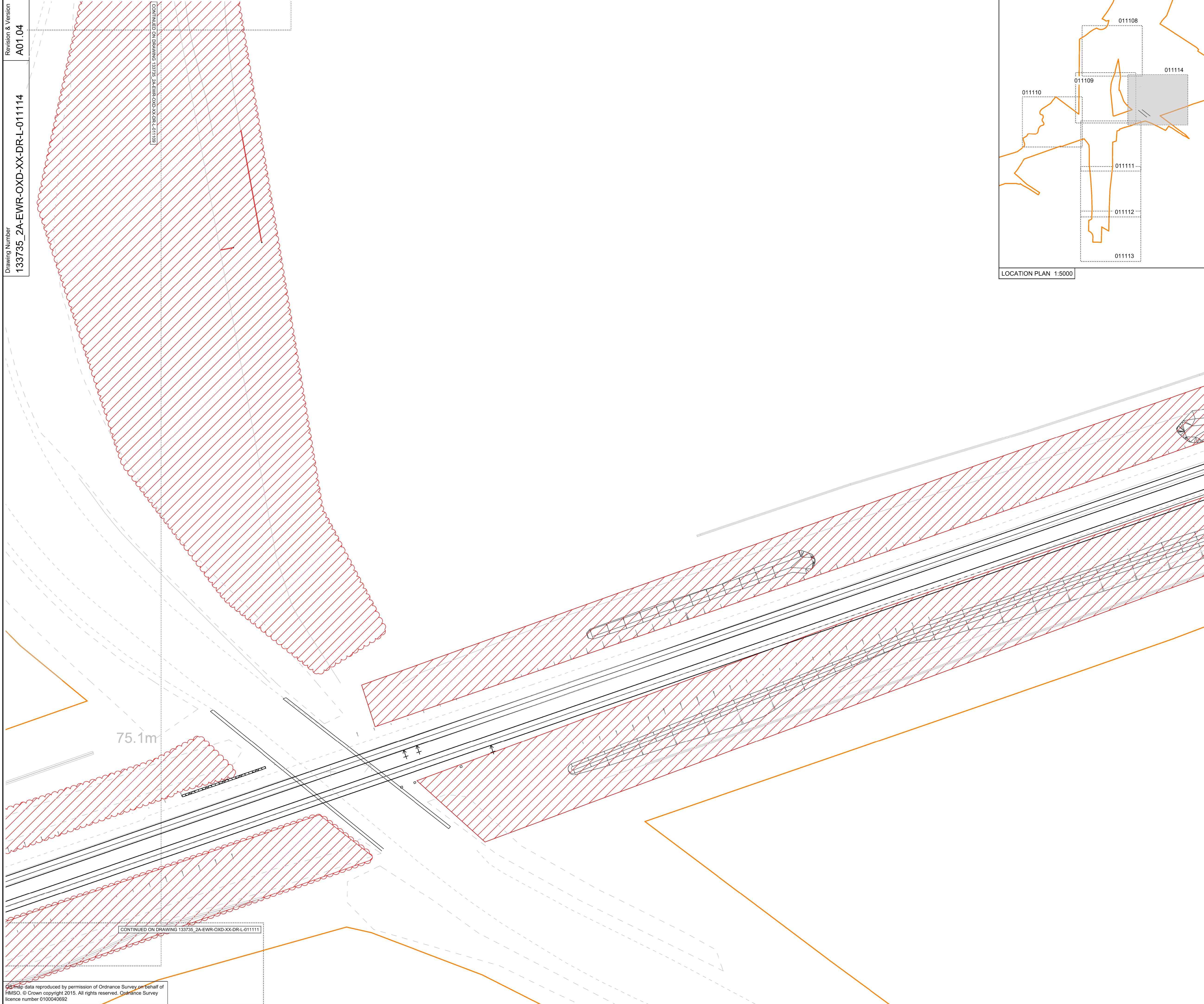


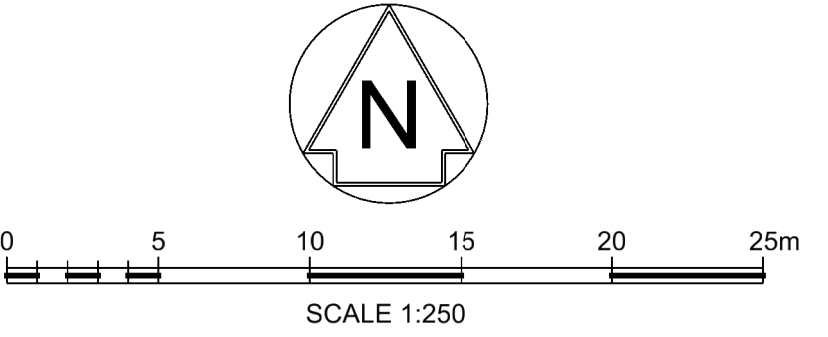
Revision & Version
A01.04
Drawing Number
133735_2A-EWR-OXD-XX-DR-L-01114

CONTINUED ON DRAWING 133735_2A-EWR-OXD-XX-DR-L-01111



KEY

- EXTENT OF WORKS
- AREA COVERED BY SEPARATE PLANNING APPLICATION
- TREE, CATEGORY A
- TREE, CATEGORY B
- TREE, CATEGORY C
- TREE, CATEGORY U
- ROOT PROTECTION AREA
- TREE GROUP, CATEGORY A
- TREE GROUP, CATEGORY B
- TREE GROUP, CATEGORY C
- VEGETATION TO BE REMOVED
- SHEET OVERLAP
- PUBLIC RIGHT OF WAY



Rev	Date	Description of Revisions	Desd	Chkd	Appr	Suitability
A01	14/10/20	FOR PLANNING	J.S.	M.I.	M.P.	
Status						S2



Project
**East West Rail
(Western Section)
Phase 2**

Drawing Title
**TWAO PLANNING
CONDITION 7
CHARBRIDGE LANE (OXD/36AA)
VEGETATION REMOVAL DRAWING**

Designed	Jack Skellern	Signed	J. Skellern	Date	13/10/20
Drawn	Rhiannon Pierce	Signed	R. Pierce	Date	30/04/20
Checked	Mark Inglis	Signed	M. Inglis	Date	13/10/20
Approved	Mike Podmore	Signed	M. Podmore	Date	13/10/20

Scale(s)	1:250	ELR - Project Chainage (Miles/Yards)	OXD - 108900
Design Package Risk Classification	Normal	Sheet	7 of 7
Alternative Reference		Revision	A01

Drawing Number
133735_2A-EWR-OXD-XX-DR-L-01114

OS map data reproduced by permission of Ordnance Survey on behalf of HMSO. © Crown copyright 2015. All rights reserved. Ordnance Survey licence number 0100040892