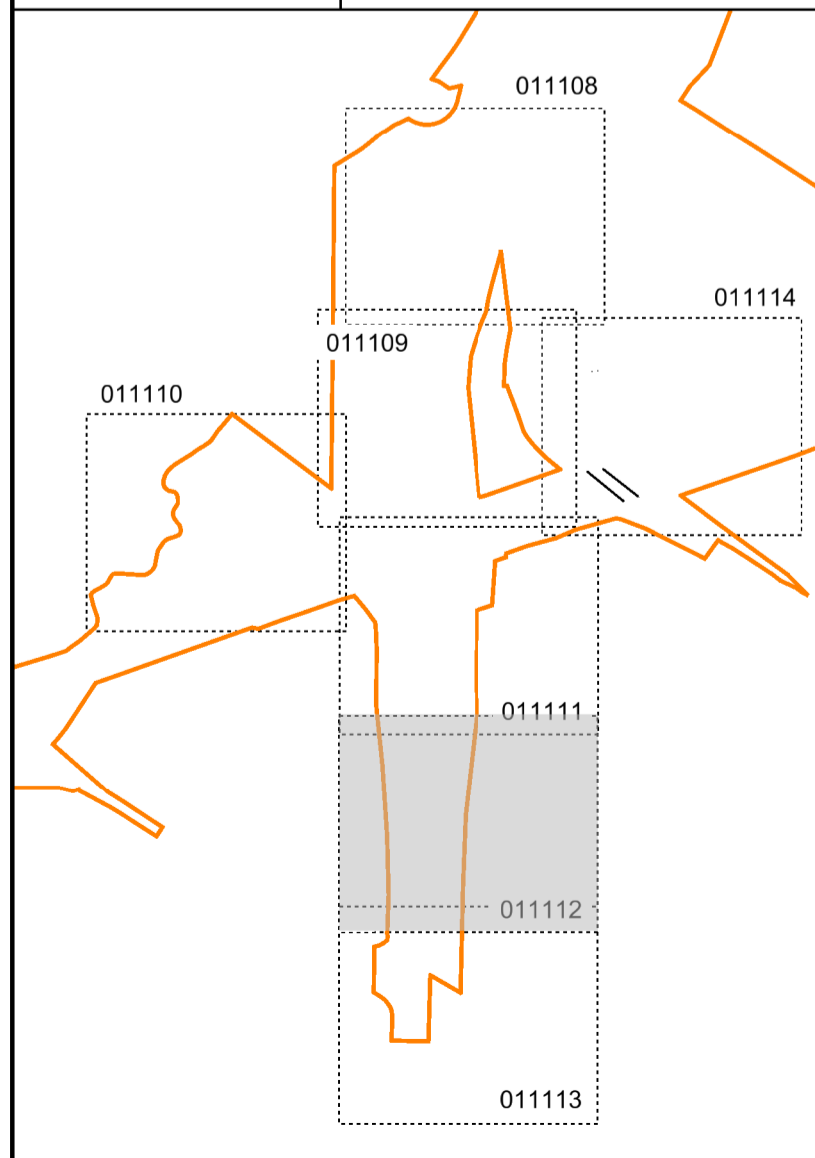
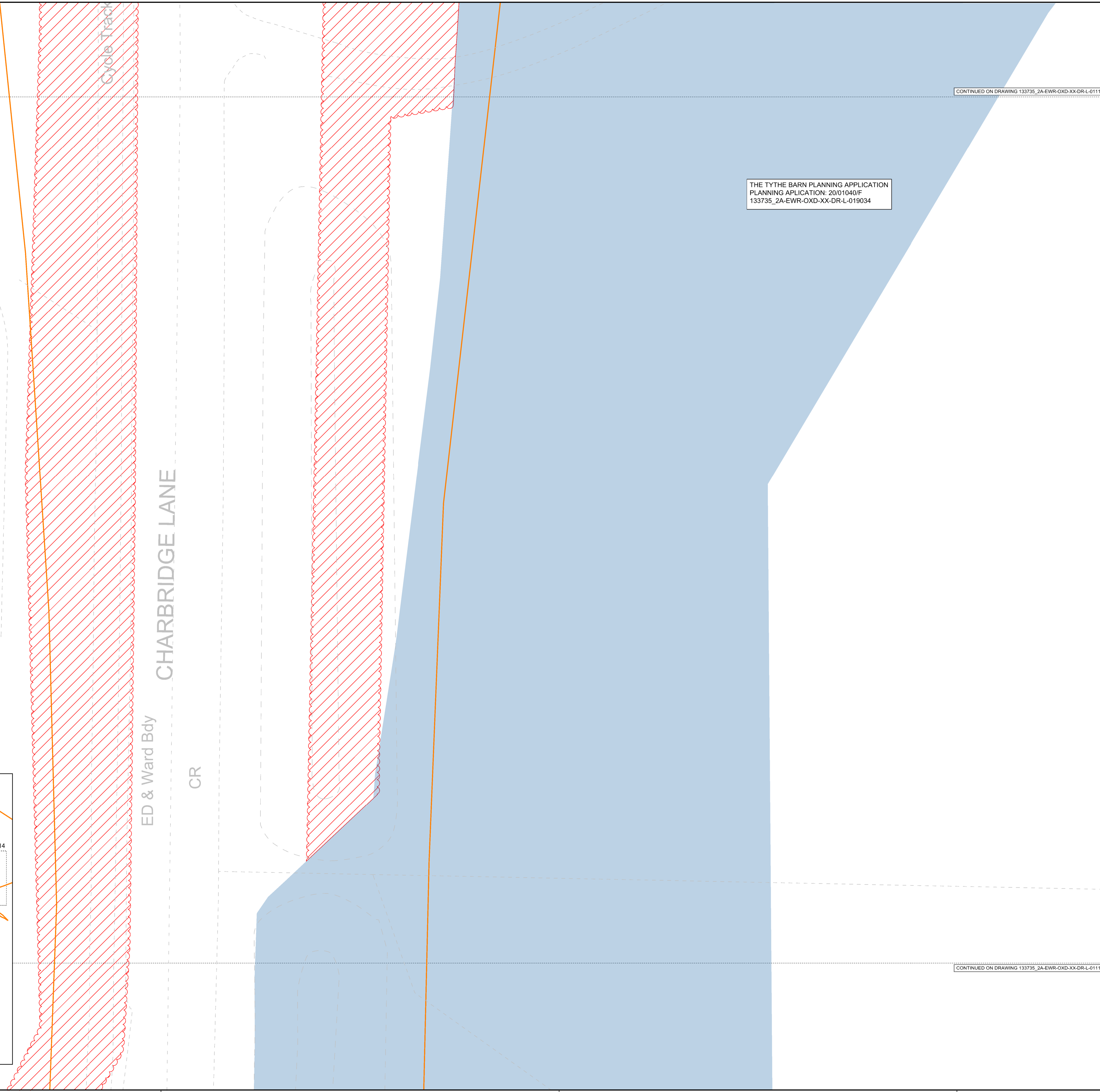


LOCATION PLAN 1:5000



OS map data reproduced by permission of Ordnance Survey on behalf of HMSO. © Crown copyright 2015. All rights reserved. Ordnance Survey licence number 010040892

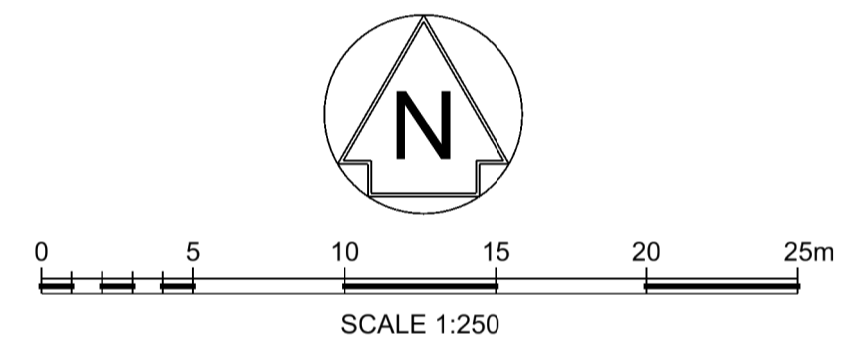


CONTINUED ON DRAWING 133735_2A-EWR-OXD-XX-DR-L-01111

CONTINUED ON DRAWING 133735_2A-EWR-OXD-XX-DR-L-01113

KEY

- EXTENT OF WORKS
- AREA COVERED BY SEPARATE PLANNING APPLICATION
- TREE, CATEGORY A
- TREE, CATEGORY B
- TREE, CATEGORY C
- TREE, CATEGORY U
- ROOT PROTECTION AREA
- TREE GROUP, CATEGORY A
- TREE GROUP, CATEGORY B
- TREE GROUP, CATEGORY C
- VEGETATION TO BE REMOVED
- SHEET OVERLAP
- PUBLIC RIGHT OF WAY



Rev	Date	Description of Revisions	Dend	Chkd	Appr	Suitability
A01	14/10/20	FOR PLANNING	J.S.	M.I.	M.P.	
Status						S2



Project
**East West Rail
(Western Section)
Phase 2**

Drawing Title
**TWAO PLANNING
CONDITION 7
CHARBRIDGE LANE (OXD/36AA)
VEGETATION REMOVAL DRAWING**

Designed	Jack Skellern	Signed	J. Skellern	Date	13/10/20
Drawn	Jack Skellern	Signed	J. Skellern	Date	30/03/20
Checked	Mark Inglis	Signed	M. Inglis	Date	13/10/20
Approved	Mike Podmore	Signed	M. Podmore	Date	13/10/20

Scale(s)	1:250	ELR - Project Chainage (Miles Yards)	OXD - 108900
Design Package Risk Classification	Normal		Sheet
Alternative Reference			Revision
Drawing Number	133735_2A-EWR-OXD-XX-DR-L-01112		A01