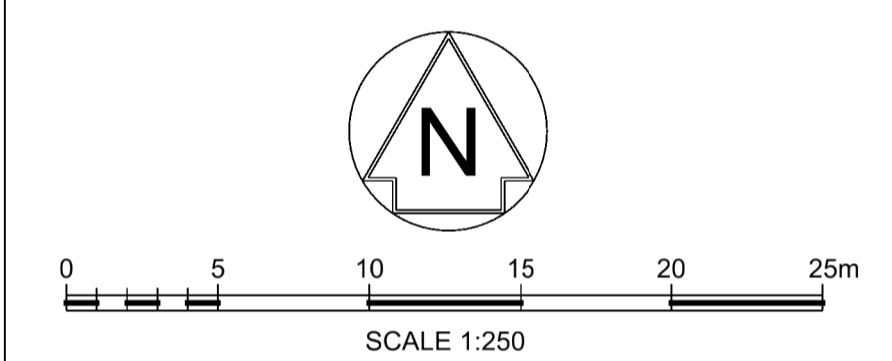


KEY

	EXTENT OF WORKS
	AREA COVERED BY SEPARATE PLANNING APPLICATION
	TREE, CATAGORY A
	TREE, CATAGORY B
	TREE, CATAGORY C
	TREE, CATAGORY U
	ROOT PROTECTION AREA
	TREE GROUP, CATEGORY A
	TREE GROUP, CATEGORY B
	TREE GROUP, CATEGORY C
	VEGETATION TO BE REMOVED
	SHEET OVERLAP
	PUBLIC RIGHT OF WAY



ECOLOGICAL COMPENSATION SITE A1
133735_2A-EWR-OXD-XX-DR-L-019027
APPROVED CONDITION 12A

Rev	Date	Description of Revisions	Desd	Chkd	Appr	Suitability
A01	14/10/20	FOR PLANNING	J.S.	M.I.	M.P.	
Status						SHARED - for Information
						S2



Project
**East West Rail
(Western Section)
Phase 2**

Drawing Title
**TWAO PLANNING
CONDITION 7
CHARBRIDGE LANE (OXD/36AA)
VEGETATION REMOVAL DRAWING**

Designed	Jack Skellern	Signed	J. Skellern	Date	13/10/20
Drawn	Jack Skellern	Signed	J. Skellern	Date	30/03/20
Checked	Mark Inglis	Signed	M. Inglis	Date	13/10/20
Approved	Mike Podmore	Signed	M. Podmore	Date	13/10/20

Scale(s)	1:250	ELR - Project Chainage (Miles Yards)	OXD - 108900
Design Package Risk Classification	Normal		Sheet
Alternative Reference			3 of 7
Drawing Number	133735_2A-EWR-OXD-XX-DR-L-01110		Revision
			A01