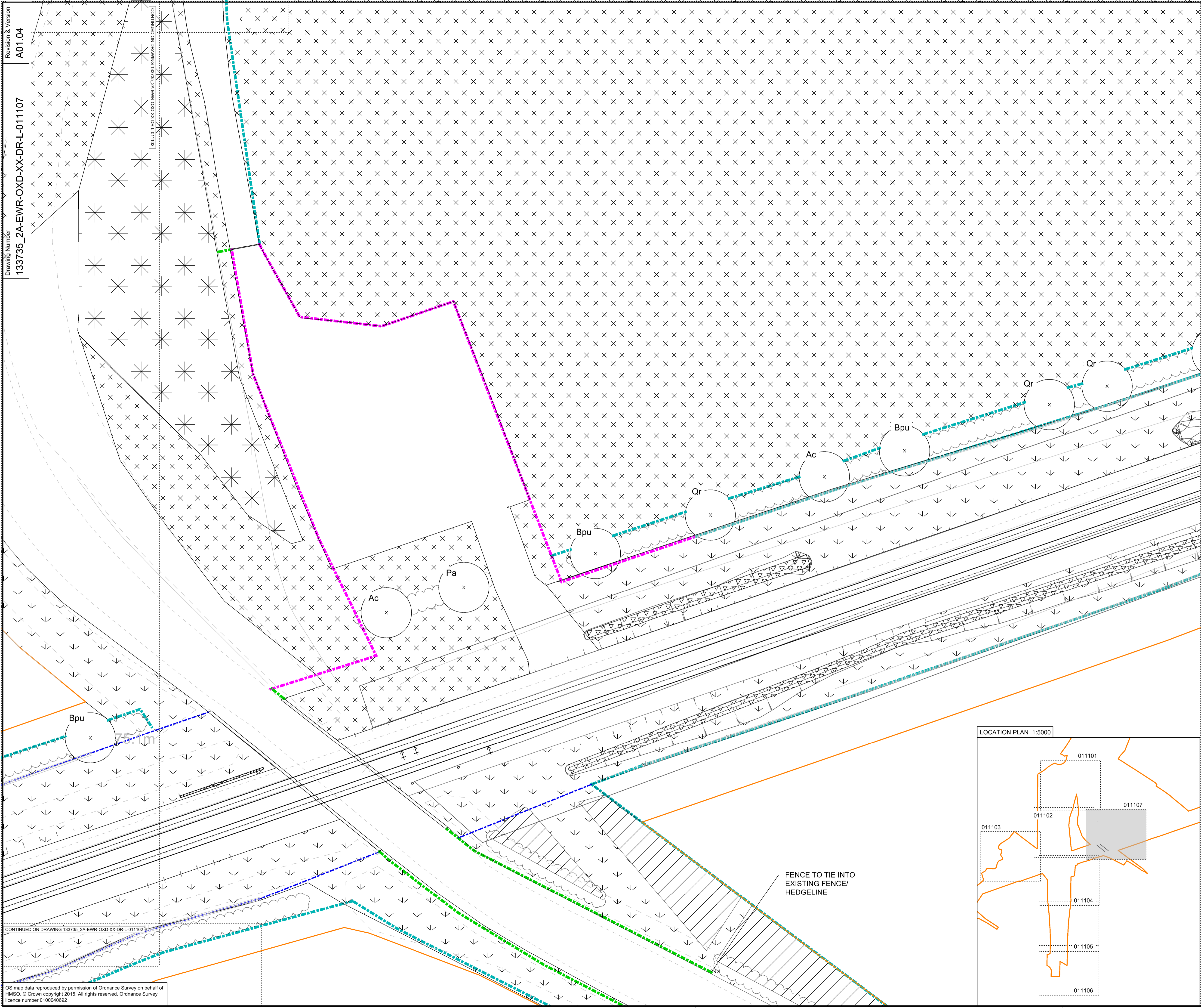
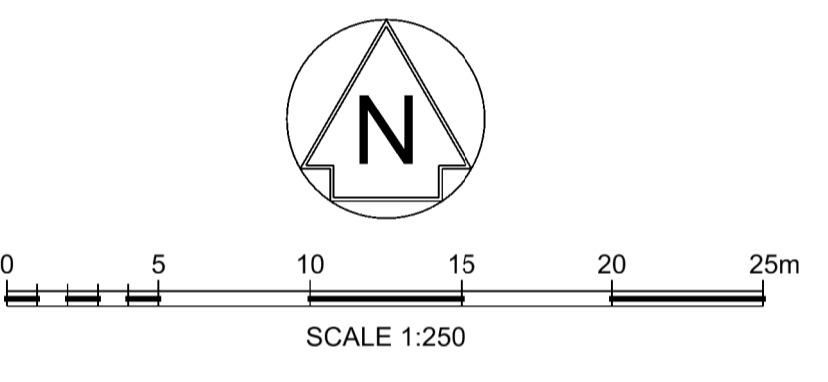


Revision & Version
A01.04
Drawing Number
133735_2A-EWR-OXD-XX-DR-L-011107



- KEY**
- EXTENT OF WORKS
 - AREA COVERED BY SEPARATE PLANNING APPLICATION
 - SHEET OVERLAP
- EXISTING**
- TREE, CATEGORY A
 - TREE, CATEGORY B
 - TREE, CATEGORY C
 - TREE, CATEGORY U
 - ROOT PROTECTION AREA
 - TREE GROUP, CATEGORY A
 - TREE GROUP, CATEGORY B
 - TREE GROUP, CATEGORY C
 - PUBLIC RIGHT OF WAY
- PROPOSED**
- AMENITY GRASS MIX (EM1)
 - AGRICULTURAL GRASS MIX (ESG3)
 - WETLAND GRASS MIX (EM8)
 - HEDGEROW
 - TREE
 - STANDARD WOODLAND MIX
 - DEER PROOF FENCE
 - 1.4M STOCK PROOF FENCE
 - 1.4M POST AND RAIL FENCE
 - 1.8M WELD MESH FENCE
 - 1.8M PALISADE FENCE
 - 2.4M PALISADE FENCE



Rev	Date	Description of Revisions	Desd	Chkd	Appr	Suitability
A01	14/10/20	FOR PLANNING	J.S.	M.I.	M.P.	
Status						S2



Project
East West Rail (Western Section) Phase 2

Drawing Title
TWAO PLANNING CONDITION 7 CHARBRIDGE LANE (OXD/36AA) LANDSCAPING SCHEME

Designed	Jack Skellern	Signed	J. Skellern	Date	13/10/20
Drawn	Rhiannon Pierce	Signed	R. Pierce	Date	30/04/20
Checked	Mark Inglis	Signed	M. Inglis	Date	13/10/20
Approved	Mike Podmore	Signed	M. Podmore	Date	13/10/20

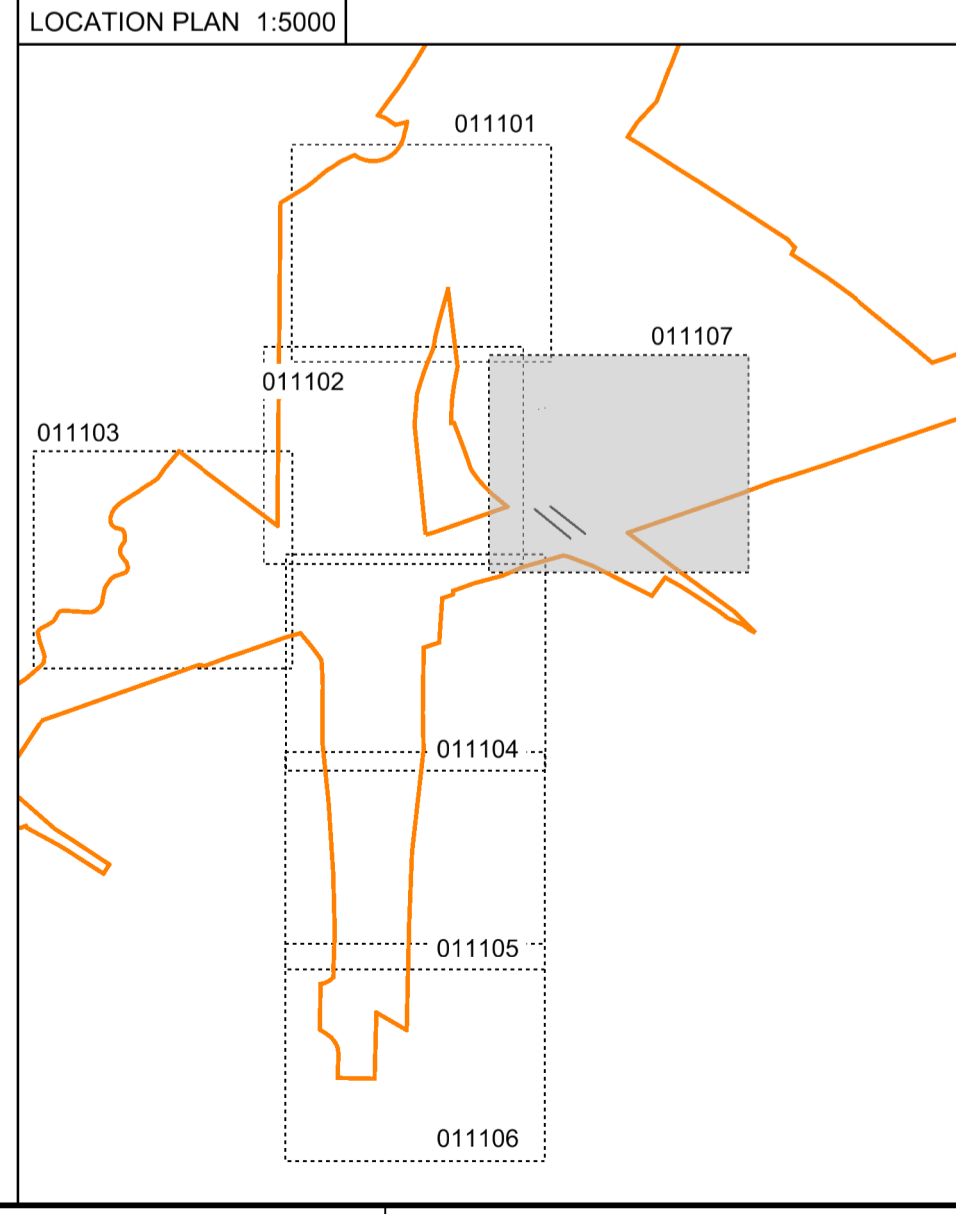
Scale(s)
1:250
ELR - Project Chainage (Miles Yards)
OXD - 108900

Design Package Risk Classification
Normal

Alternative Reference

Drawing Number
133735_2A-EWR-OXD-XX-DR-L-011107

Sheet
7 of 7
Revision
A01



OS map data reproduced by permission of Ordnance Survey on behalf of HMSO. © Crown copyright 2015. All rights reserved. Ordnance Survey licence number 0100040892