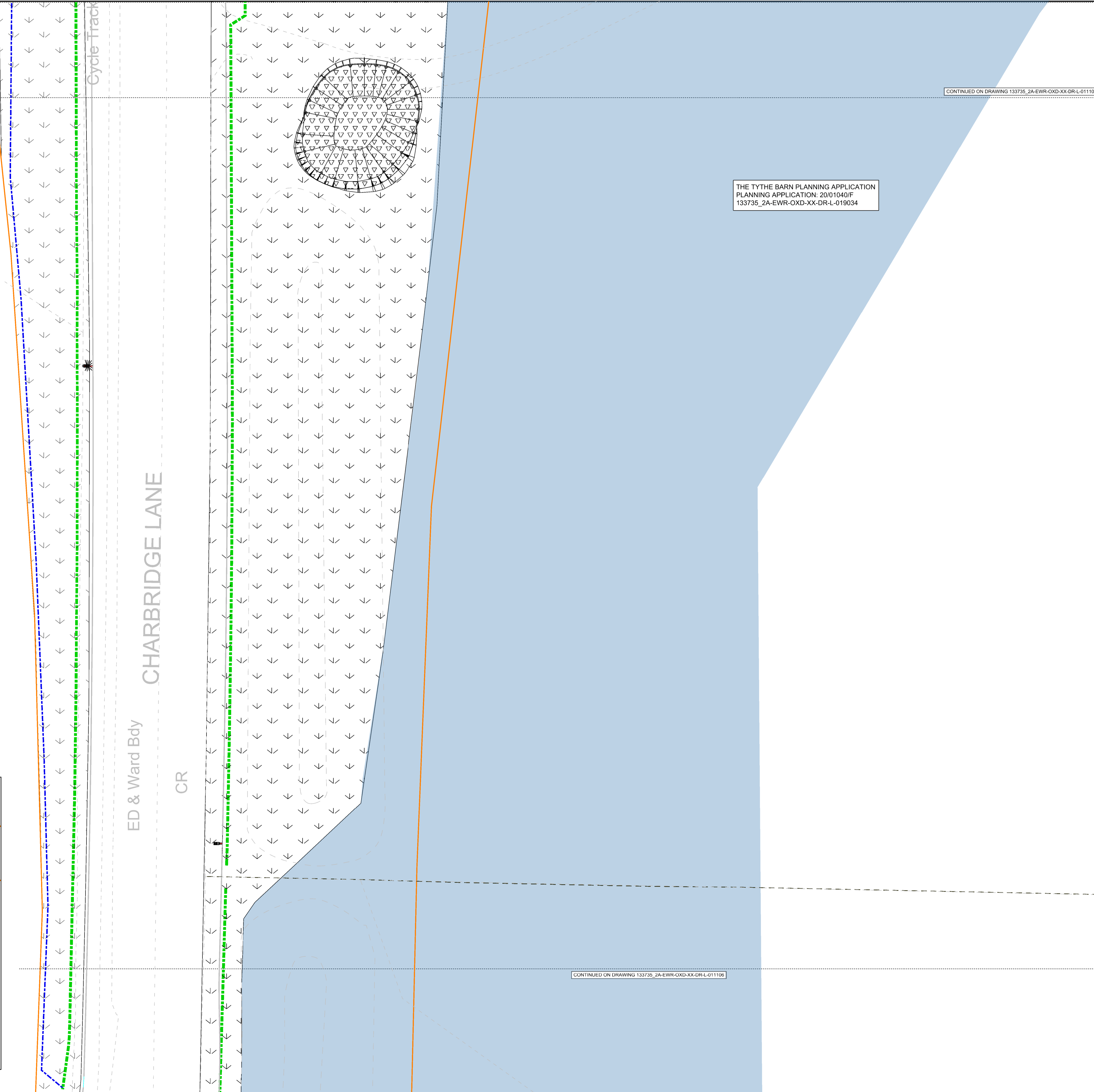


OS map data reproduced by permission of Ordnance Survey on behalf of HMSO. © Crown copyright 2015. All rights reserved. Ordnance Survey licence number 010040892



**KEY**

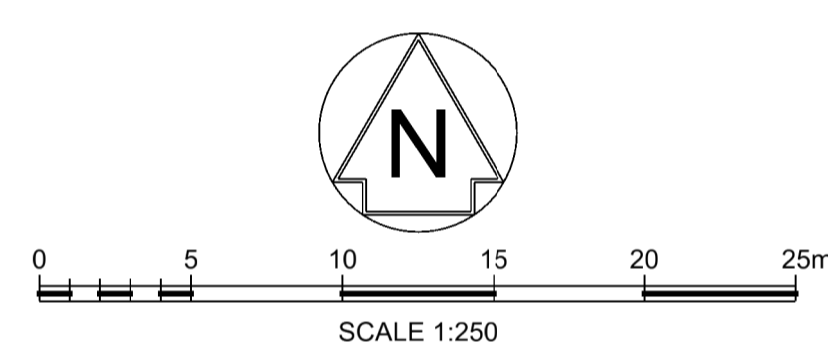
	EXTENT OF WORKS
	AREA COVERED BY SEPARATE PLANNING APPLICATION
	SHEET OVERLAP

**EXISTING**

	TREE, CATEGORY A
	TREE, CATEGORY B
	TREE, CATEGORY C
	TREE, CATEGORY U
	ROOT PROTECTION AREA
	TREE GROUP, CATEGORY A
	TREE GROUP, CATEGORY B
	TREE GROUP, CATEGORY C
	PUBLIC RIGHT OF WAY

**PROPOSED**

	AMENITY GRASS MIX (EM1)
	AGRICULTURAL GRASS MIX (ESG3)
	WETLAND GRASS MIX (EM8)
	HEDGEROW
	TREE
	STANDARD WOODLAND MIX
	DEER PROOF FENCE
	1.4M STOCK PROOF FENCE
	1.4M POST AND RAIL FENCE
	1.8M WELD MESH FENCE
	1.8M PALISADE FENCE
	2.4M PALISADE FENCE
	LIGHTING COLUMN



Rev	Date	Description of Revisions	Dend	Chkd	Appr	Suitability
A01	14/10/20	FOR PLANNING	J.S.	M.I.	M.P.	
Status						SHARED - for Information
						S2



Project  
**East West Rail (Western Section) Phase 2**

Drawing Title  
**TWAO PLANNING CONDITION 7 CHARBRIDGE LANE (OXD/36AA) LANDSCAPING SCHEME**

Designed	Jack Skellern	Signed	J. Skellern	Date	13/10/20
Drawn	Jack Skellern	Signed	J. Skellern	Date	27/03/20
Checked	Mark Inglis	Signed	M. Inglis	Date	13/10/20
Approved	Mike Podmore	Signed	M. Podmore	Date	13/10/20

Scale(s)	1:250	ELR - Project Chainage (Miles Yards)	OXD - 108900
Design Package Risk Classification	Normal		Sheet
Alternative Reference			Revision
Drawing Number	133735_2A-EWR-OXD-XX-DR-L-011105		A01