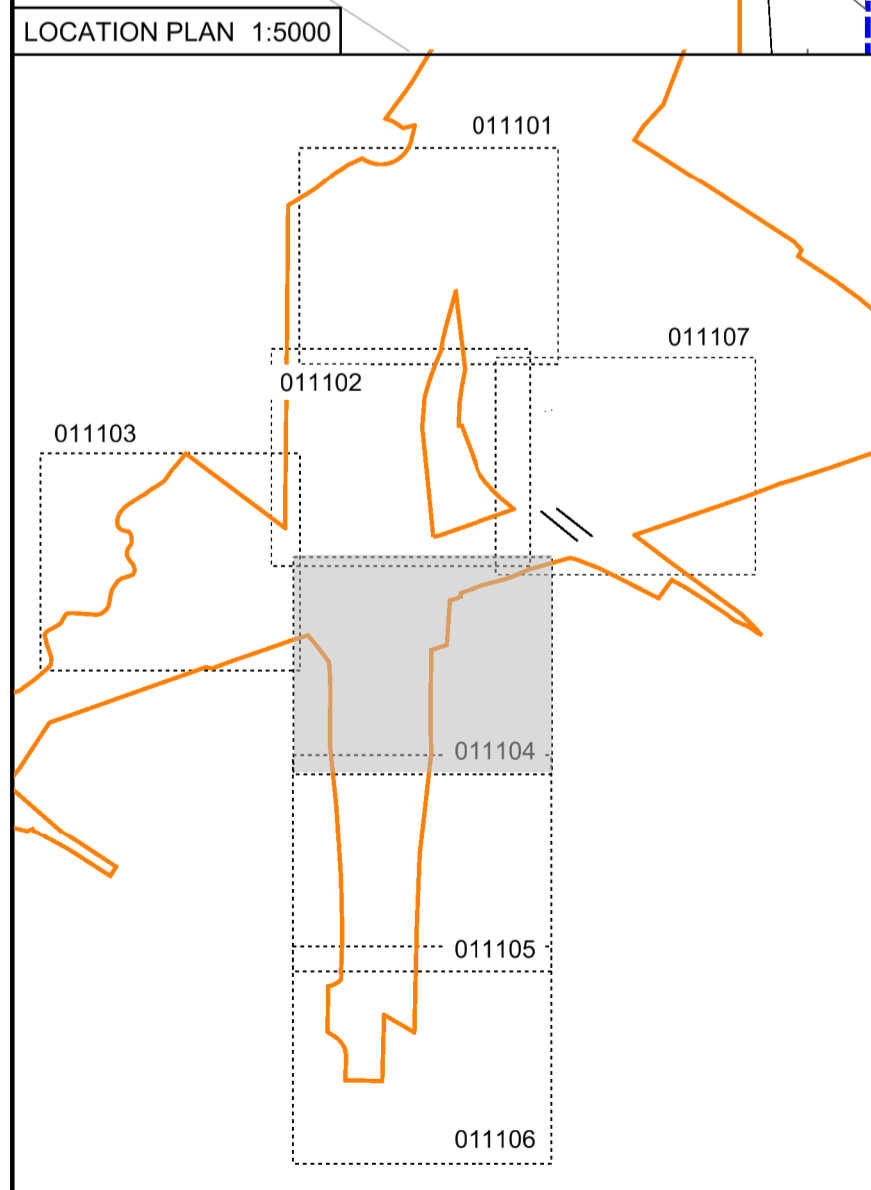


Revision & Version
A01.05
Drawing Number
133735_2A-EWR-OXD-XX-DR-L-011023

CONTINUED ON DRAWING 133735_2A-EWR-OXD-XX-DR-L-01102

CONTINUED ON DRAWING 133735_2A-EWR-OXD-XX-DR-L-011107

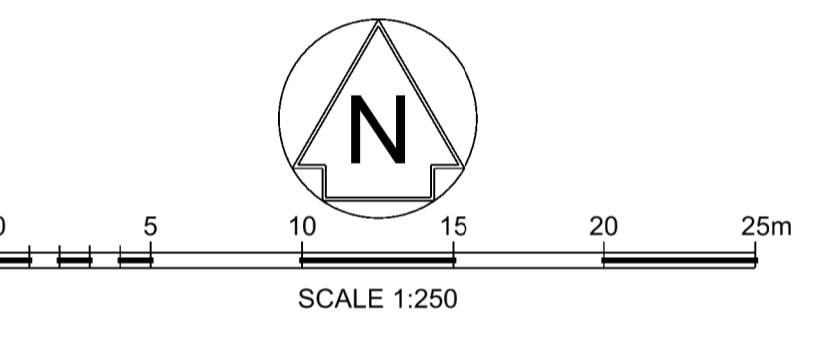
THE TYTHE BARN PLANNING APPLICATION
PLANNING APPLICATION: 20/01040/F
133735_2A-EWR-OXD-XX-DR-L-019034



OS map data reproduced by permission of Ordnance Survey on behalf of HMSO. © Crown copyright 2015. All rights reserved. Ordnance Survey licence number 010040892

KEY

	EXTENT OF WORKS
	AREA COVERED BY SEPARATE PLANNING APPLICATION
	SHEET OVERLAP
EXISTING	
	TREE, CATEGORY A
	TREE, CATEGORY B
	TREE, CATEGORY C
	TREE, CATEGORY U
	ROOT PROTECTION AREA
	TREE GROUP, CATEGORY A
	TREE GROUP, CATEGORY B
	TREE GROUP, CATEGORY C
	PUBLIC RIGHT OF WAY
PROPOSED	
	AMENITY GRASS MIX (EM1)
	AGRICULTURAL GRASS MIX (ESG3)
	WETLAND GRASS MIX (EM8)
	HEDGEROW
	TREE
	STANDARD WOODLAND MIX
	DEER PROOF FENCE
	1.4M STOCK PROOF FENCE
	1.4M POST AND RAIL FENCE
	1.8M WELD MESH FENCE
	1.8M PALISADE FENCE
	2.4M PALISADE FENCE
	LIGHTING COLUMN



AD1	14/10/20	FOR PLANNING	J.S.	M.I.	M.P.
Rev	Date	Description of Revisions	Dend	Chkd	Appr
Status	SHARED - for Information				S2



Project
**East West Rail
(Western Section)
Phase 2**

Drawing Title
**TWAO PLANNING
CONDITION 7
CHARBRIDGE LANE (OXD/36AA)
LANDSCAPING SCHEME**

Designed	Jack Skellern	Signed	J. Skellern	Date	13/10/20
Drawn	Jack Skellern	Signed	J. Skellern	Date	27/03/20
Checked	Mark Inglis	Signed	M. Inglis	Date	13/10/20
Approved	Mike Podmore	Signed	M. Podmore	Date	13/10/20

Scale(s)	1:250	ELR - Project Chainage (Miles Yards)	OXD - 108900
Design Package Risk Classification	Normal		Sheet
Alternative Reference			4 of 7
Drawing Number	133735_2A-EWR-OXD-XX-DR-L-011023		Revision
			A01