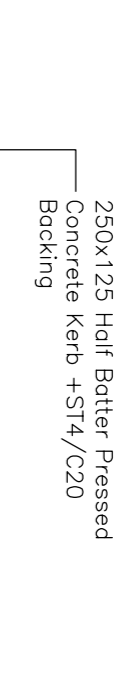
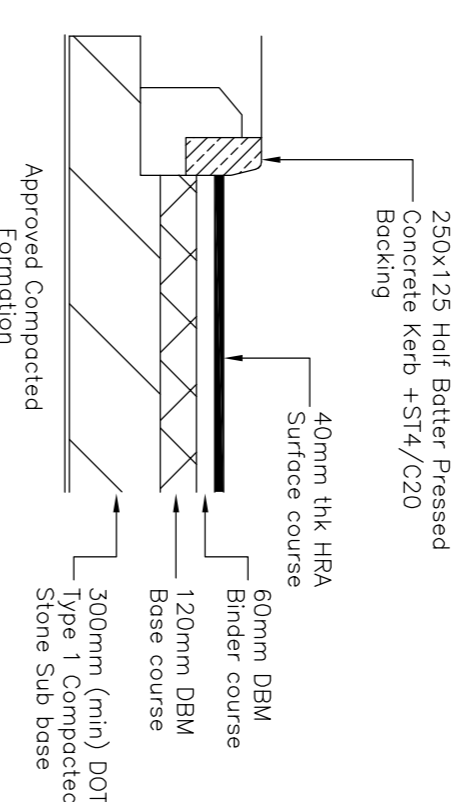


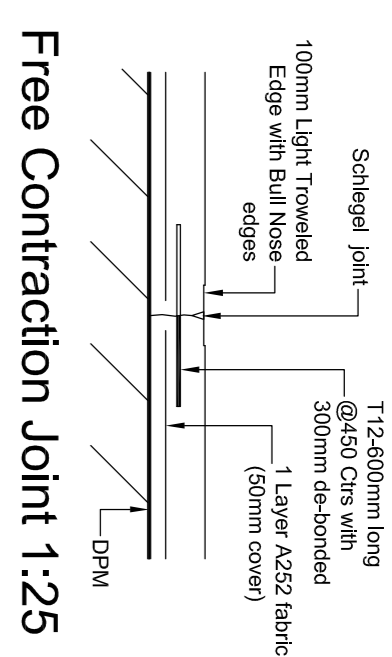
Standard Block Paving 1:25



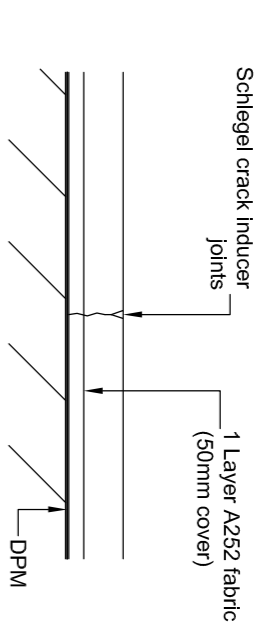
RC Yard Kerb Detail 1:25



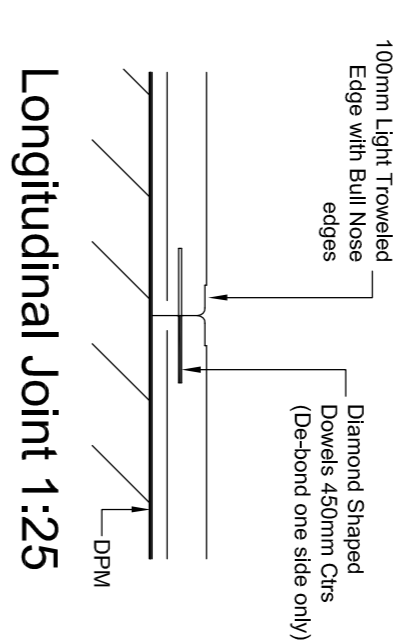
Access Road 1:25



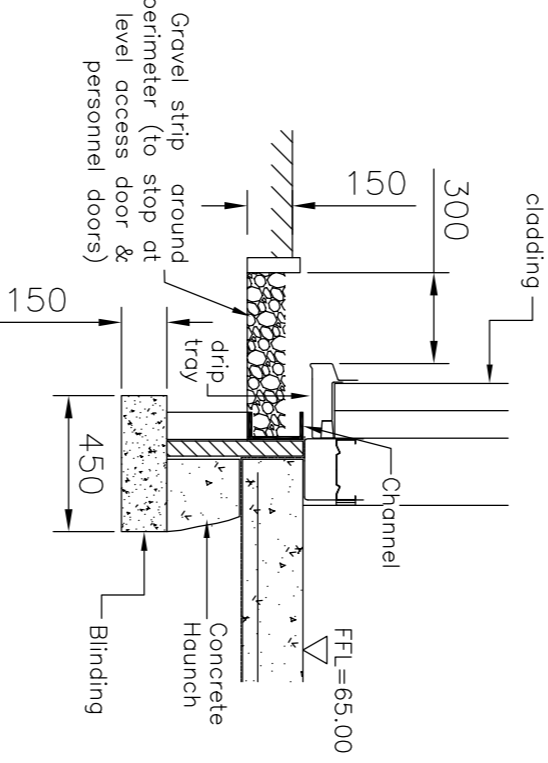
Free Contraction Joint 1:25



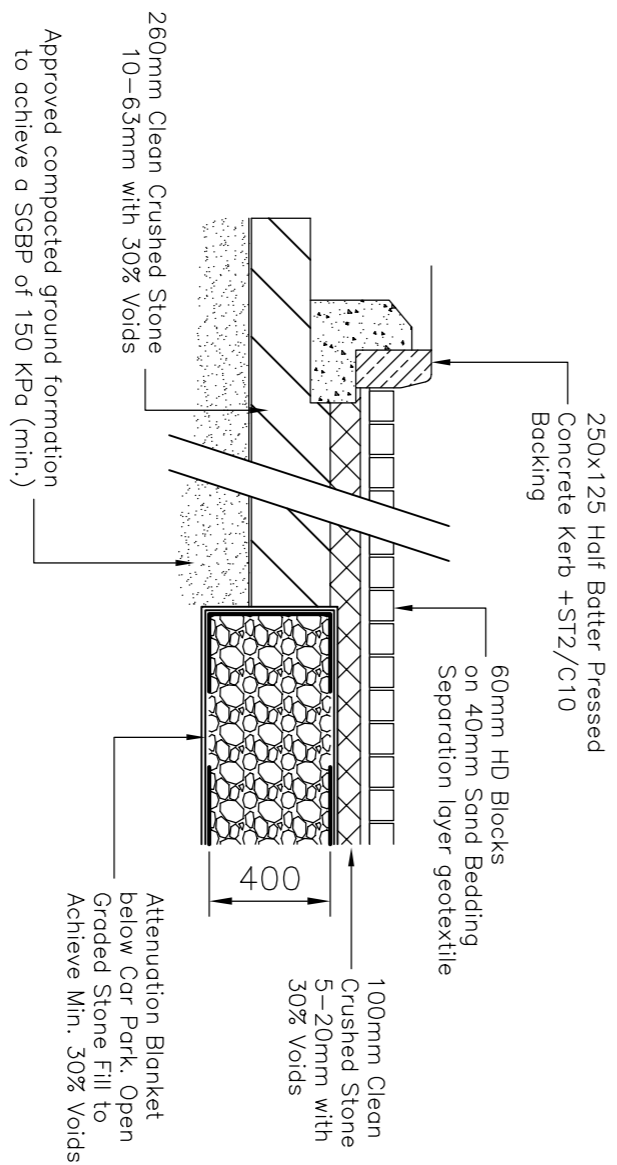
Contraction Joint 1:25



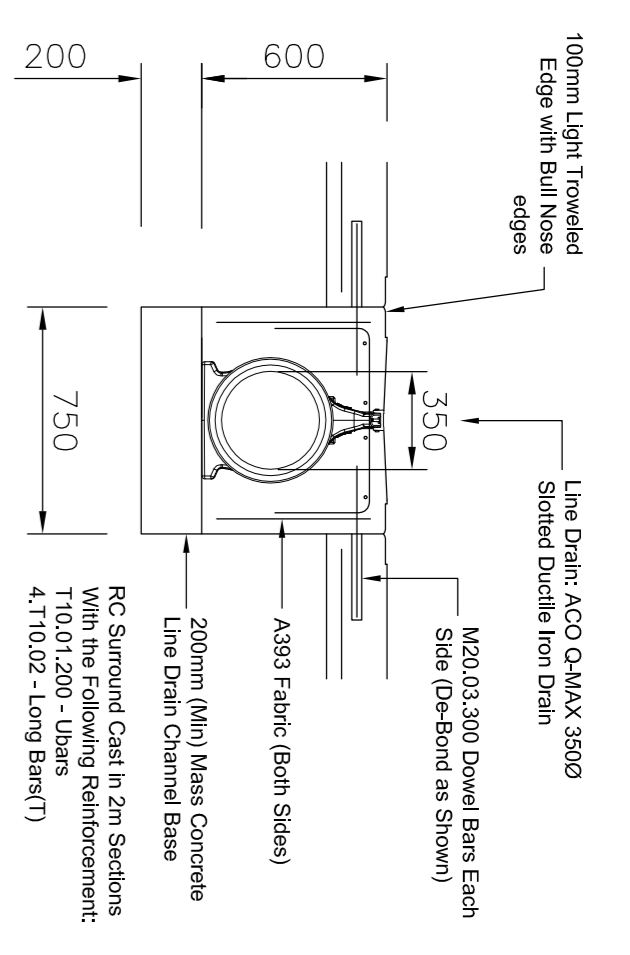
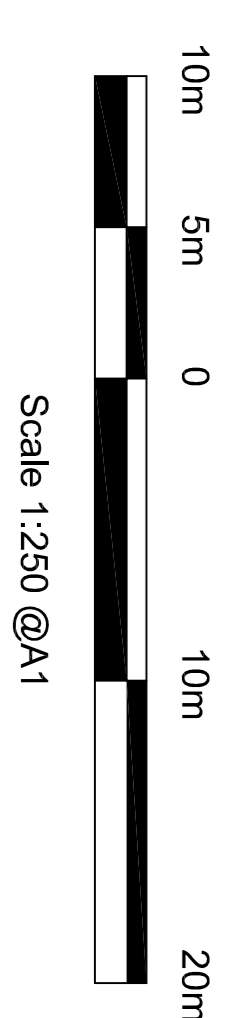
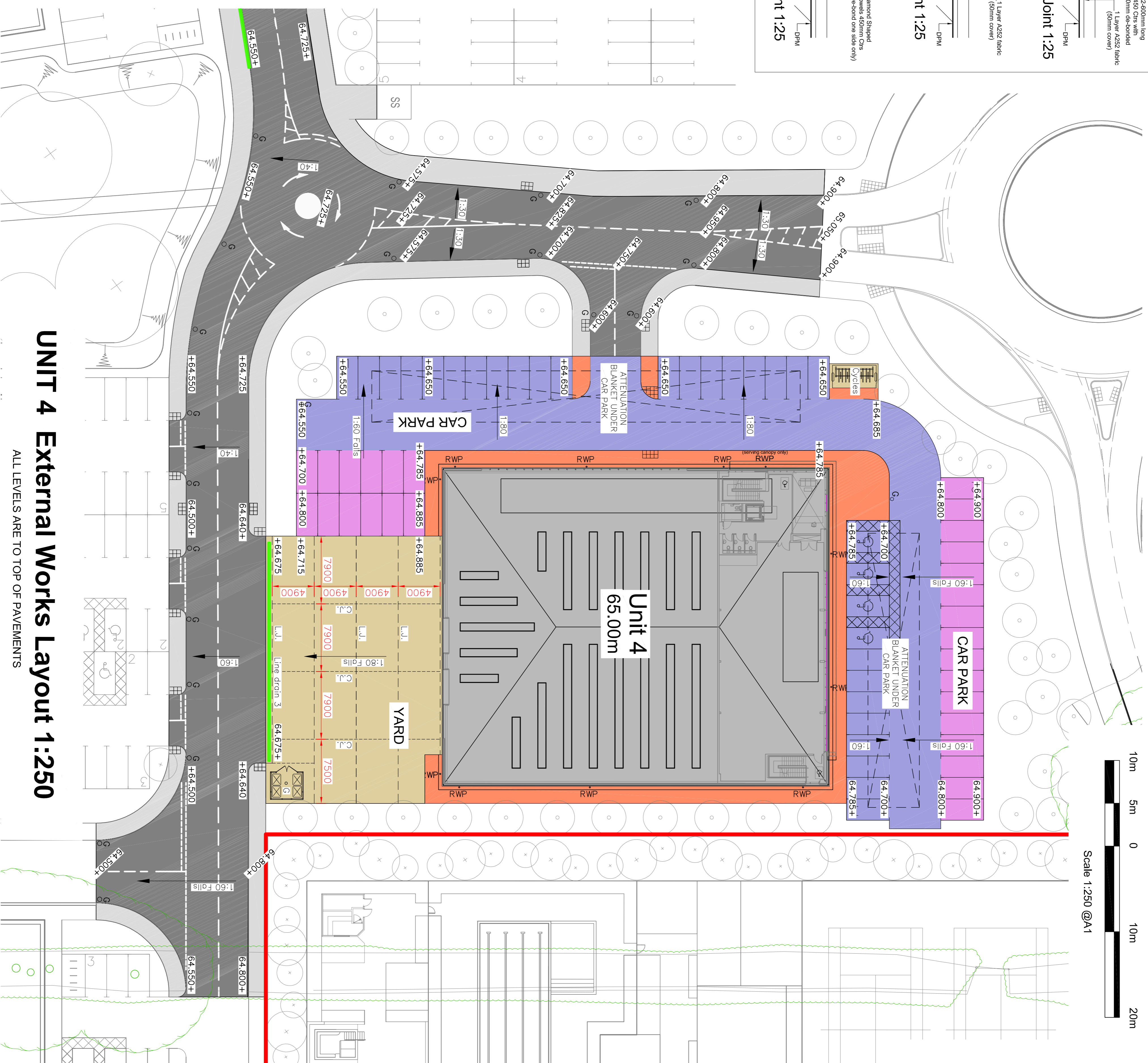
Longitudinal Joint 1:25



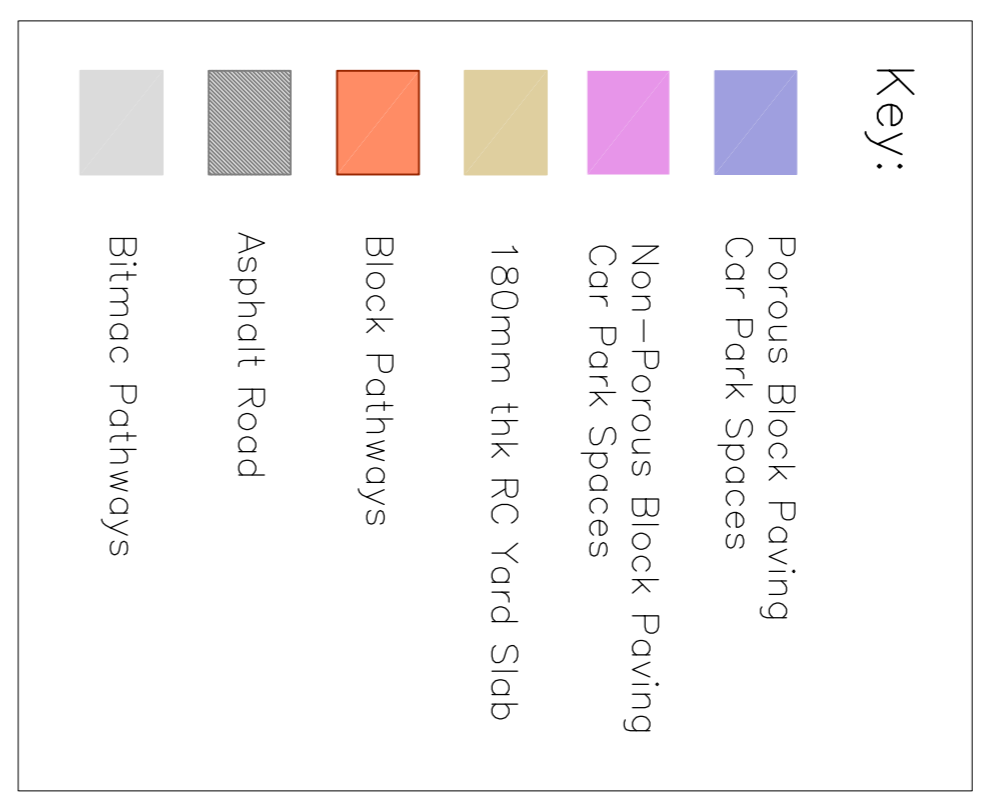
Building Perimeter Gravel Strip Detail 1:25



Permeable Block Carpark 1:25



ACO Qmax 350 Detail 1:25



Drawing Ref. Schedule

- MK SURVEYS TOPOGRAPHICAL SURVEY (JUNE 2018)
- CORNISH ARCHITECTS 'PHASE 1 PROPOSED SITE AND FINISHES PLAN' PLAN REF. 18022 - TP - 001(-) (SEPTEMBER 2020)
- CORNISH ARCHITECTS 'UNITS 1-3 FLOOR & ROOF PLANS' PLAN REF. 18022 - TP - 005 (-) (SEPTEMBER 2020)

RM A1 29.09.20

PRELIMINARY

Rev	Date	Revision Description
A	28.09.20	Updated to latest site plan
B	29.09.20	PHASE 1 RMA1 APPLICATION

Revision Schedule

Catalyst Bicester
Wendlebury Road

Albion Land Plc.

PHASE 1 - PACKAGE 3
UNIT 4 EXTERNAL WORKS LAYOUT

BAILEY JOHNSON HAYES
Consulting Engineers

STABANS: Site 4, Phoenix House, 63 Campbell Rd, STABANS, Here AL1 5PL
MANCHESTER: George House, John Dalton Street, MANCHESTER, M2 6RW
Scale: 1:250, 25 @A1
Date: 28.07.20
Drawn: JNG

S1358-PH1-14B

UNIT 4 External Works Layout 1:250

ALL LEVELS ARE TO TOP OF PAVEMENTS