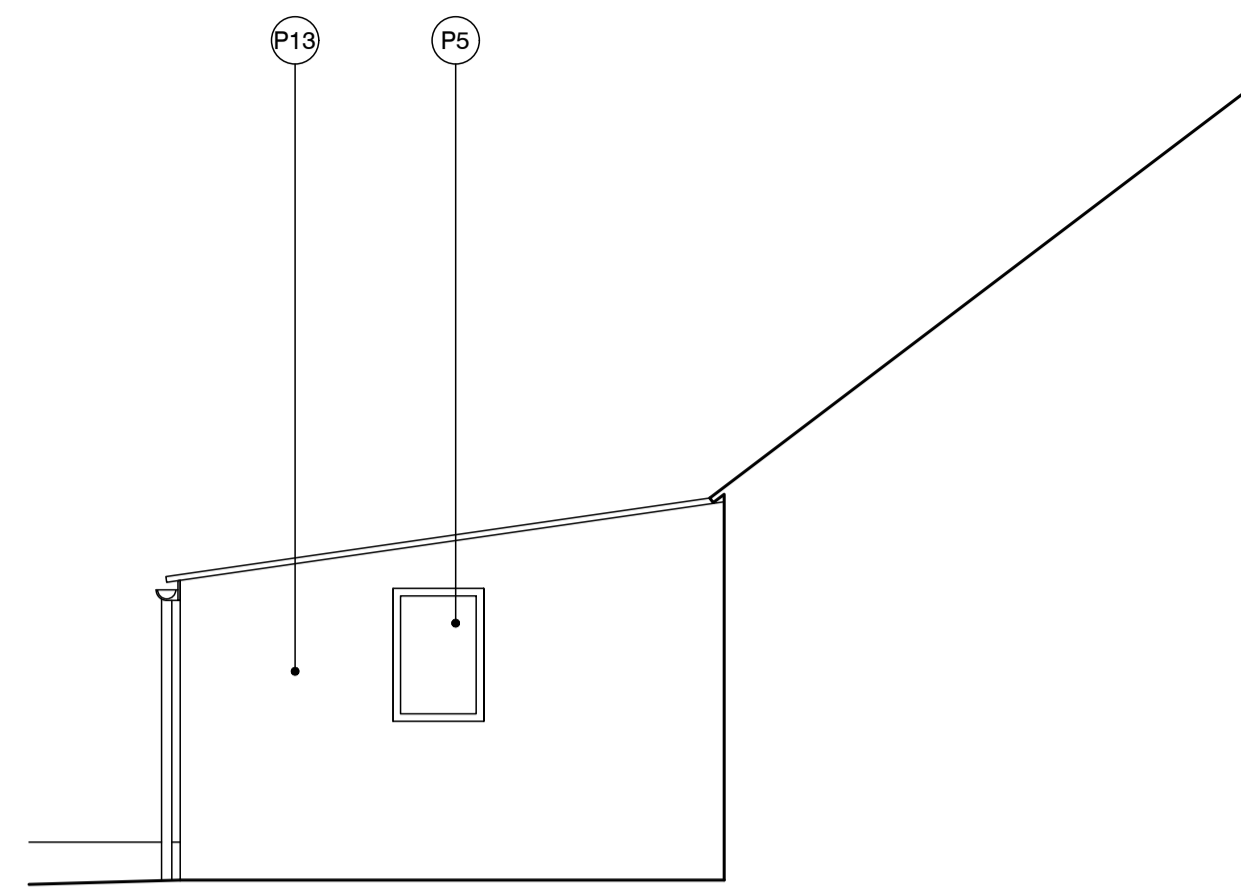
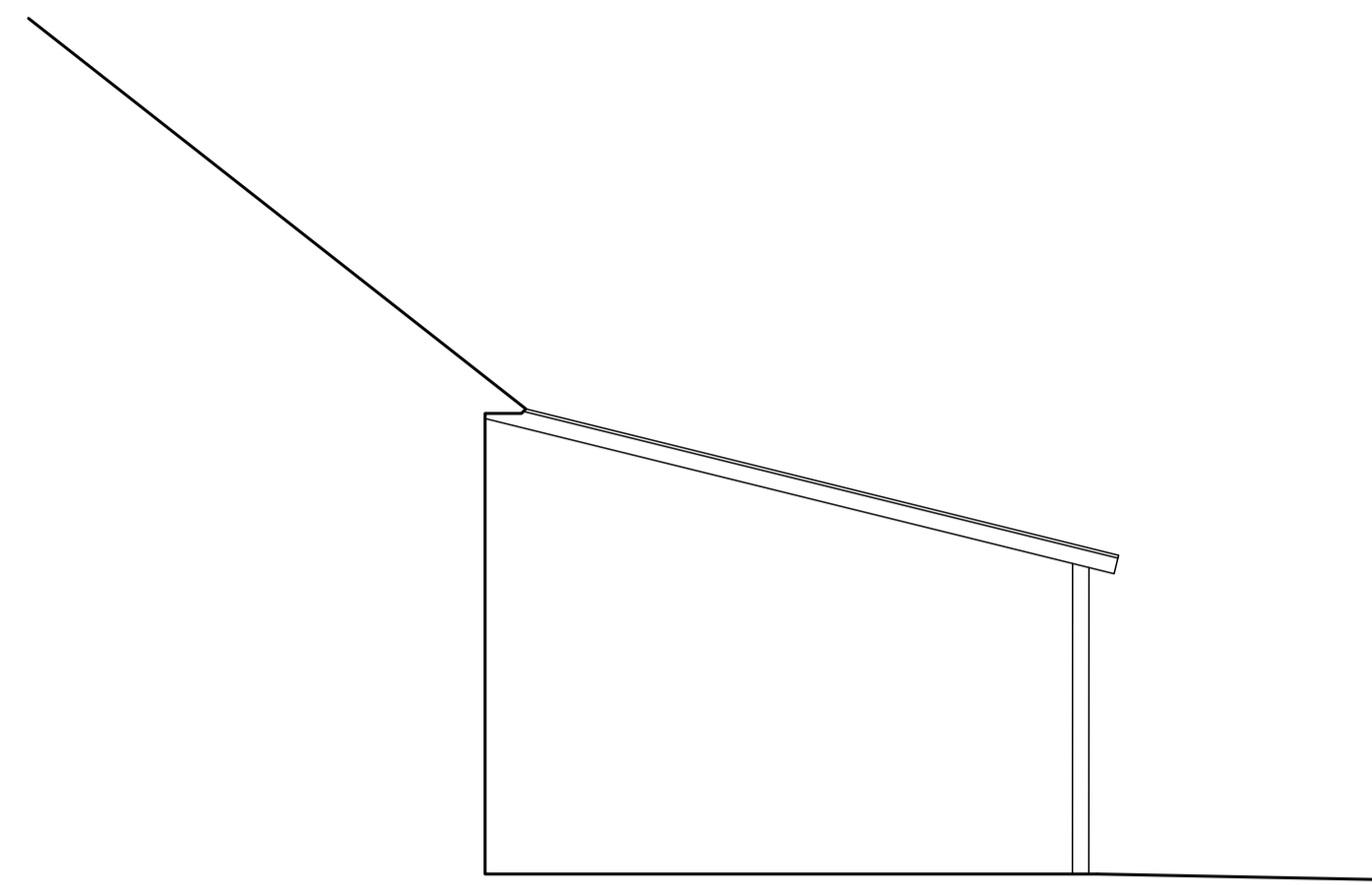


01 Elevation 7 As Existing
1:50



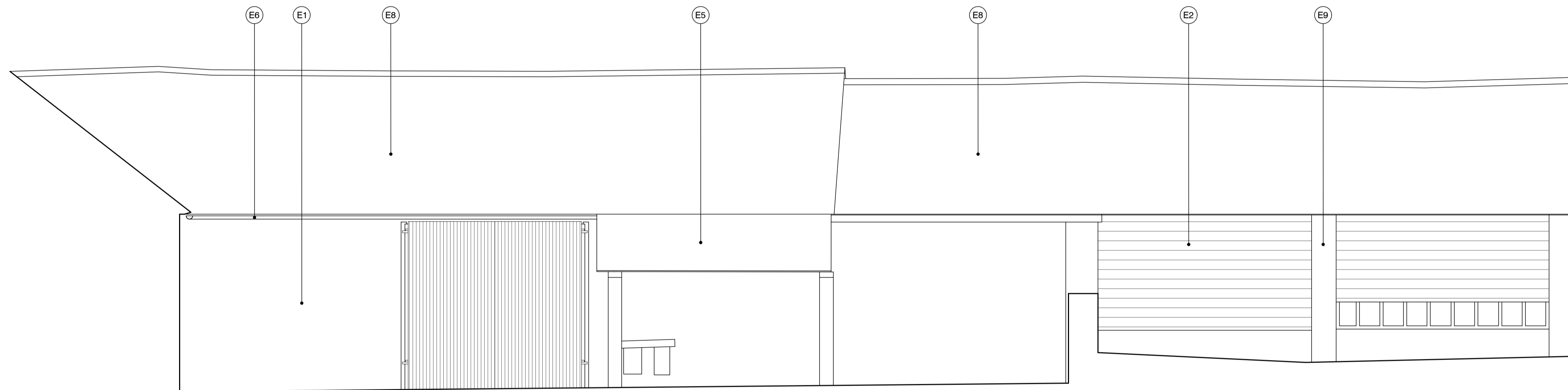
02 Elevation 7 As Proposed
1:50



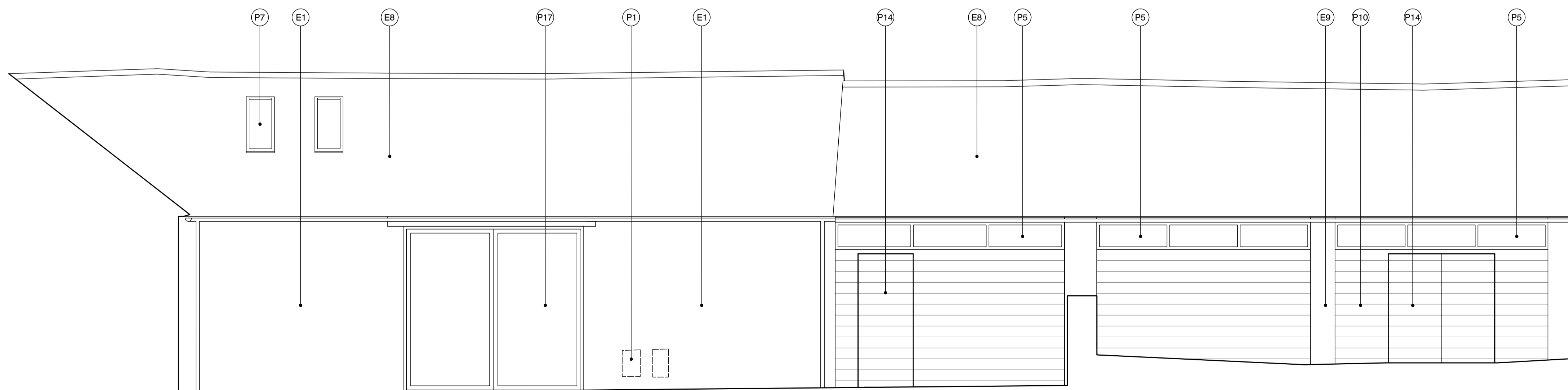
03 Elevation 6 As Existing
1:50

Elevation Demolished

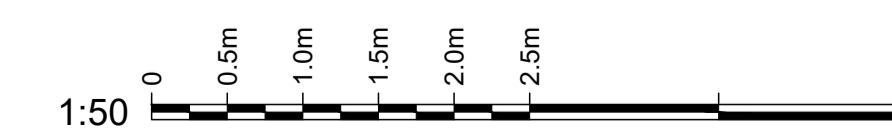
04 Elevation 6 As Proposed
1:50



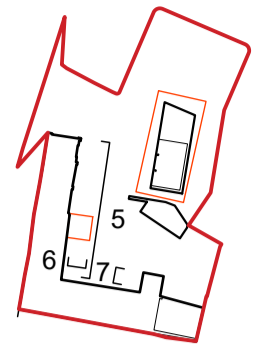
05 Elevation 5 As Existing
1:50



06 Elevation 5 As Proposed
1:50



Key Plan



Mawles Farm
Sibford Gower
OX15 5RW

GENERAL NOTES:
Do not scale from drawings. Refer to figured dimensions only.

Key
 (E) = Existing Material (P) = Proposed Material

- (E) Natural stone
- (E2) Waney edge horizontal timber cladding
- (E3) Precast concrete wall panels
- (E4) ventilated timber boarding
- (E5) Fibre cement corrugated sheet
- (E6) UPVC half round rainwater gutter
- (E7) Concrete block infill
- (E8) Slate roof covering
- (E9) Masonry brickwork
- (E10) Corrugated polycarbonate rooflight
- (E11) Stone faced concrete block wall
- (E12) Natural stone
- (E13) Corrugated roof cladding
- (E14) Vernacular barn ventilation style fixed windows
- (E15) Hardwood structural column with staddle stone base
- (E16) Aluminium/Timber composite casement windows
- (E17) Welsh slate roof covering
- (E18) Centre pivot conservation roof window
- (E19) Aluminium/Timber composite casement window with external timber brise soleil screen
- (E20) Aluminium/Timber composite ventilated panel
- (E21) Waney edge horizontal timber cladding
- (E22) UPVC half round rainwater gutter
- (E23) Hardwood fascia board
- (E24) Facing brickwork to match existing
- (E25) Solid timber external door
- (E26) Glazed timber external door
- (E27) Aluminium/Timber composite glazed sliding door
- (E28) Aluminium/Timber composite glazed french doors

Status:

PLANNING

No.	dd.mm.yy	Revision note
00	14.09.20	Planning application

00 14.09.20 Planning application

No. dd.mm.yy Revision note

IAN O'BRIEN STUDIO

The Gratory | Home Farm Drive | Upton | Banbury | Oxfordshire | OX15 6AU
01 255 672 088 | studio@ianobrienstudio.co.uk | www.ianobrienstudio.co.uk

Drawing title
Elevations Existing & Proposed
 Sheet 2 of 8

Drawing size
 1:50 @ A1

Client
 Mr and Mrs Broom

Job	Drawing number	Revision
1901	PA-112	00