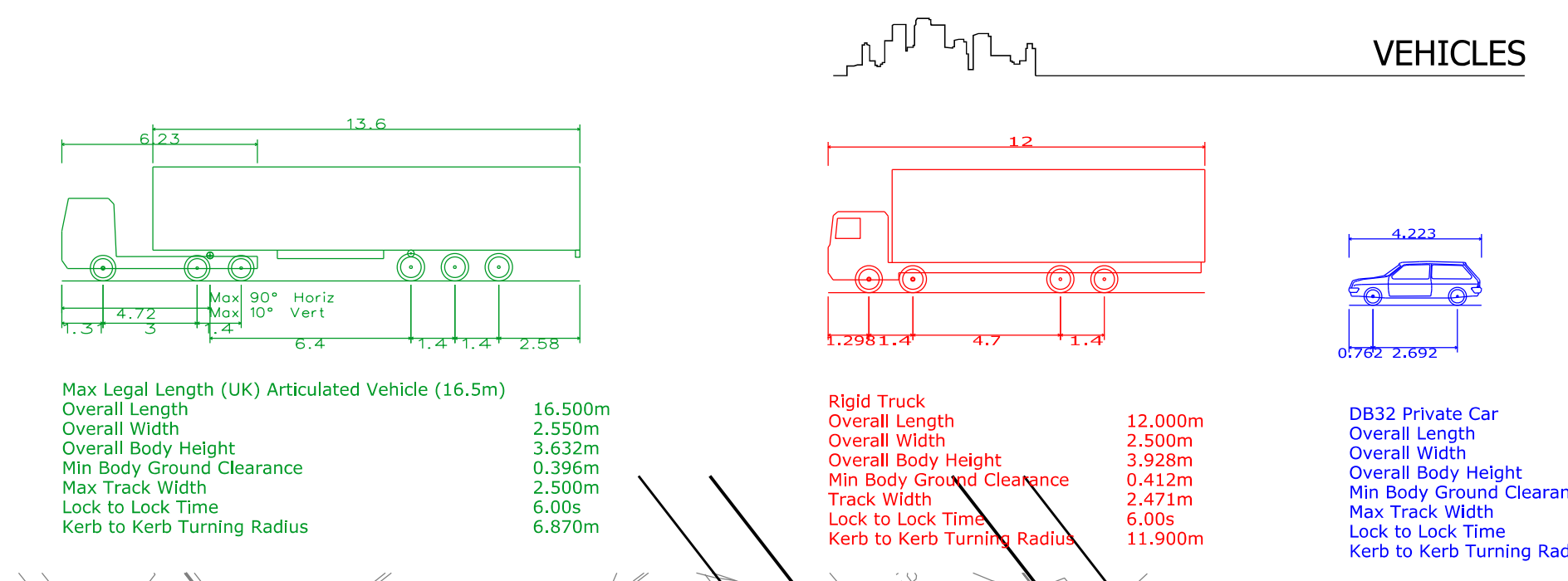


- NOTES**
- CONTRACTORS MUST CHECK ALL DIMENSIONS ON SITE. ONLY FIGURED DIMENSIONS ARE TO BE WORKED FROM. DISCREPANCIES MUST BE REPORTED TO THE ARCHITECT OR ENGINEER BEFORE PROCEEDING. © THIS DRAWING IS COPYRIGHT.
 - REPRODUCED FROM OS SITEMAP © BY PERMISSION OF ORDNANCE SURVEYS © ON BEHALF OF THE CONTROLLER OF HER MAJESTY'S STATIONERY OFFICE. © CROWN COPYRIGHT 2008. ALL RIGHTS RESERVED. LICENCE NUMBER 10007126.
 - UNTIL TECHNICAL APPROVAL HAS BEEN OBTAINED FROM THE RELEVANT AUTHORITIES, ALL DRAWINGS ARE ISSUED AS PRELIMINARY AND NOT FOR CONSTRUCTION. SHOULD THE CONTRACTOR COMMENCE SITE WORK PRIOR TO APPROVAL BEING GIVEN IT IS ENTIRELY AT HIS OWN RISK.



UPDATED TO SUIT LATEST PLANNING LAYOUT

REVISION	DESCRIPTION	DRAWN	CHECKED	DATE
A	PHASE 5C ADDED AND TRACKED	AT	CG	15.03.18
B	LATEST SITE LAYOUT SHOWN	CG	AT	15.04.17
C		AT	CG	15.04.17
D		CG	AT	15.04.17

PRELIMINARY
 INFORMATION
 TENDER
 CONSTRUCTION
 AS BUILT

WOODS HARDWICK
ARCHITECTS, ENGINEERS AND DEVELOPMENT CONSULTANTS

TITLE: UPPER HEYFORD

DETAILS: VILLAGE CENTRE NORTH
CAR AND DELIVERY TRACKING

SCALE: 1:200 @ A0 DATE: SEPTEMBER 2016 DRAWN: AT CHK: JF

15-17 GOLDENTON ROAD
BIRMINGHAM B15 2TH
T: +44 (0)121 204 2882
F: +44 (0)121 204 2883
E: info@woods-hardwick.com
www.woods-hardwick.com

HEYF-5-224 D