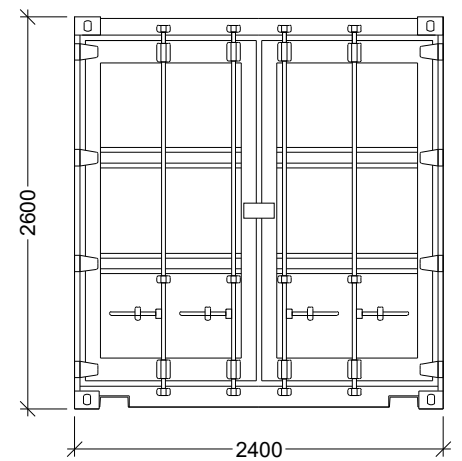
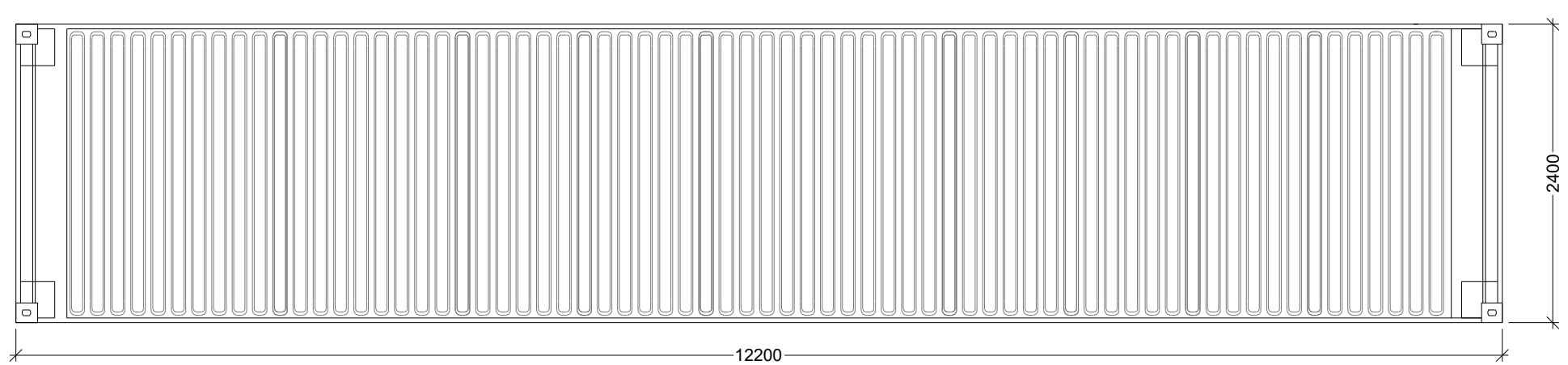


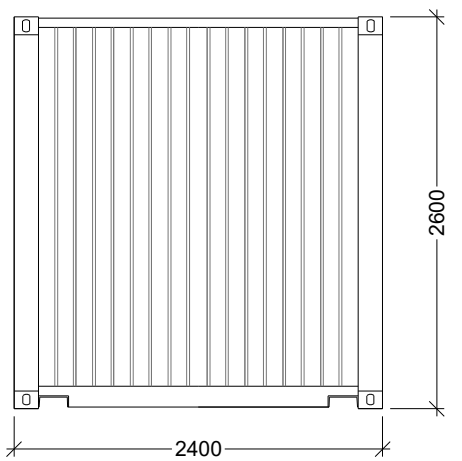
REAR VIEW



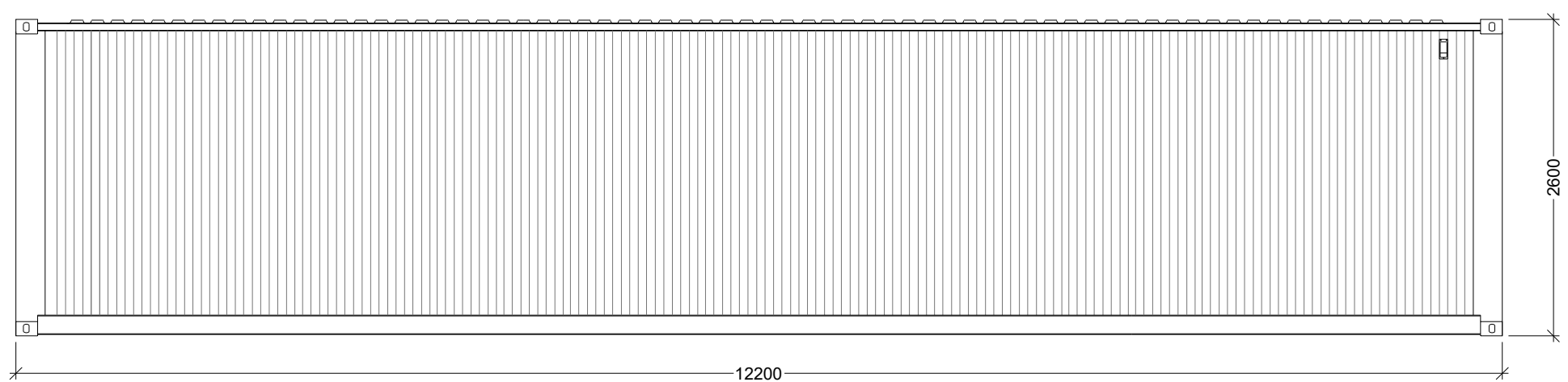
SIDE VIEW (LEFT)



ROOF VIEW



SIDE VIEW (RIGHT)



FRONT VIEW

Drawing No:	1939/D004	Project:	Duns Tew Energy Park
Revision:	v.1	Drawing Title:	40 ft Storage Cont. Elevation Plan
Date:	07 Oct 2019	Scale:	1:50 @ A3

**Notes:**

N

File:Z:\Data 2019\1939 Duns Tew solar - Greenheath NRG\Data & Drawings\CAD\1939-D004-Duns Tew Energy Park- 40ft Storage Container Elevation Pla.dwg  
 Drawn By: DP / Checked By: NL

**aardvark**  
environment matters

Aardvark EM Limited  
 Higher Ford & Wiveliscombe  
 Taunton & Somerset TA4 2RL  
 Tel: 01984 624989  
 Fax: 01984 623912  
 environment@aardvarkem.co.uk  
 www.aardvarkem.co.uk