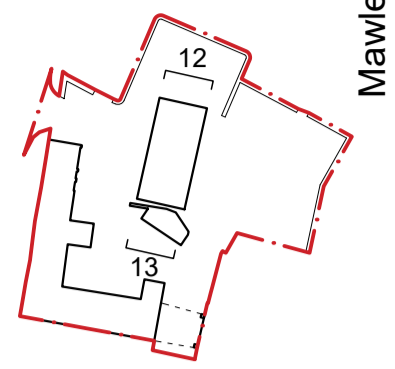


Key Plan



Mawles Farm
Sibford Gower
OX15 5RW

GENERAL NOTES:
Do not scale from drawings. Refer to figured dimensions only.

Key
⊖ = Existing Material ⊕ = Proposed Material

- ⊖ Natural stone
- ⊖ Wavy edge horizontal timber cladding
- ⊖ Precast concrete wall panels
- ⊖ ventilated timber boarding
- ⊖ Fibre cement corrugated sheet
- ⊖ UPVC half round rainwater gutter
- ⊖ Concrete block infill
- ⊖ Slate roof covering
- ⊖ Masonry brickwork
- ⊖ Corrugated polycarbonate rooflight
- ⊖ Stone faced concrete block wall
- ⊖ Natural stone
- ⊖ Corrugated roof cladding
- ⊖ Vertical batten timber cladding
- ⊖ Concealed Aluminium box gutter
- ⊖ Aluminium/Timber composite casement windows
- ⊖ Welsh Slate roof covering
- ⊖ Centre pivot conservation roof window
- ⊖ Aluminium/Timber composite casement window with external timber brise soleil screen
- ⊖ Aluminium/Timber composite ventilated panel
- ⊖ Wavy edge horizontal timber cladding
- ⊖ UPVC half round rainwater gutter
- ⊖ Standing seam metal roof
- ⊖ Facing brickwork to match existing
- ⊖ Solid timber external door
- ⊖ Glazed timber external door
- ⊖ Aluminium/Timber composite glazed french doors
- ⊖ Aluminium/Timber composite glazed french doors

Status:

PLANNING

00	26.11.19	Planning application
No.	dd.mm.yy	Revision note

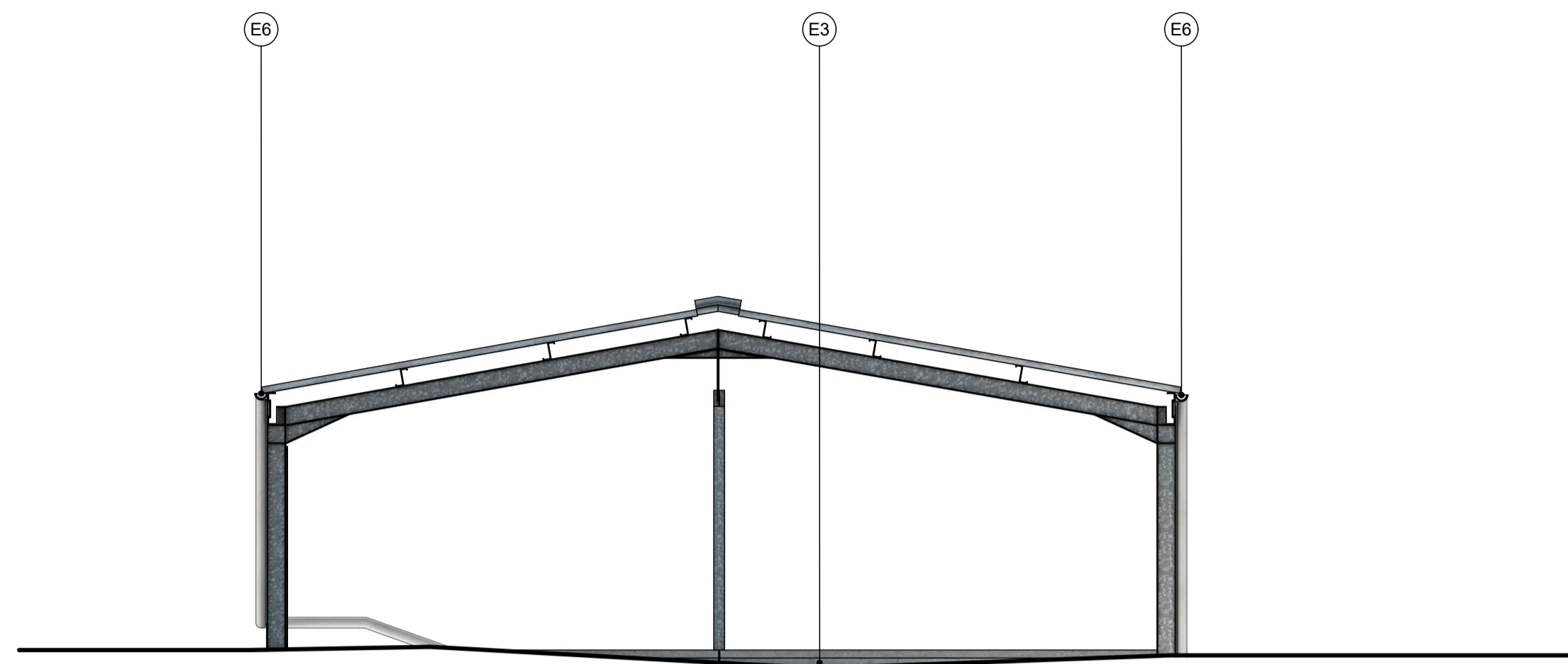
IAN O'BRIEN STUDIO
The Granary | Home Farm Drive | Upton | Banbury | Oxfordshire | OX15 6HD
 01 295 670 068 | info@ianobrienstudio.co.uk | www.ianobrienstudio.co.uk

Drawing title
Elevations Existing & Proposed
Sheet 7 of 8

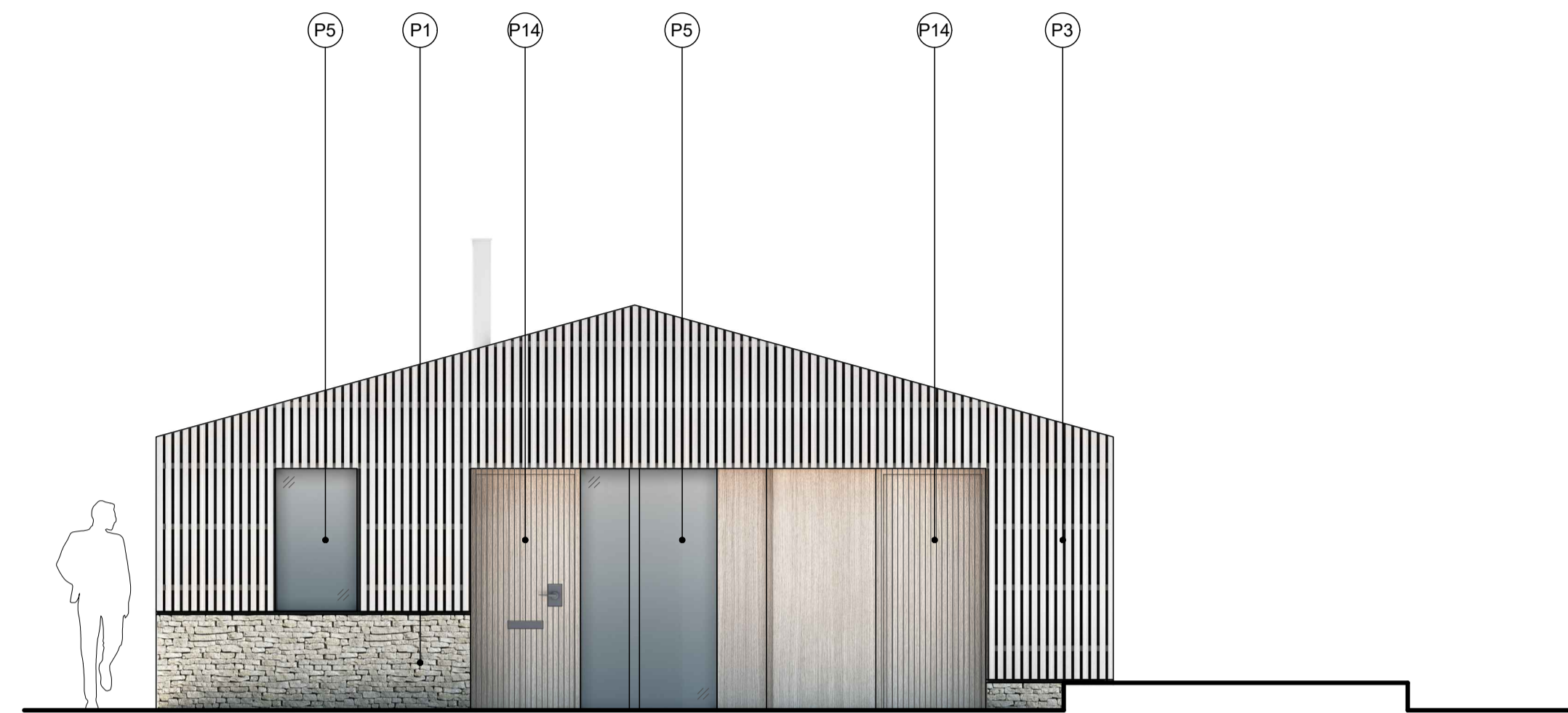
Drawing size
1:50 @ A1

Client
Mr and Mrs Broom

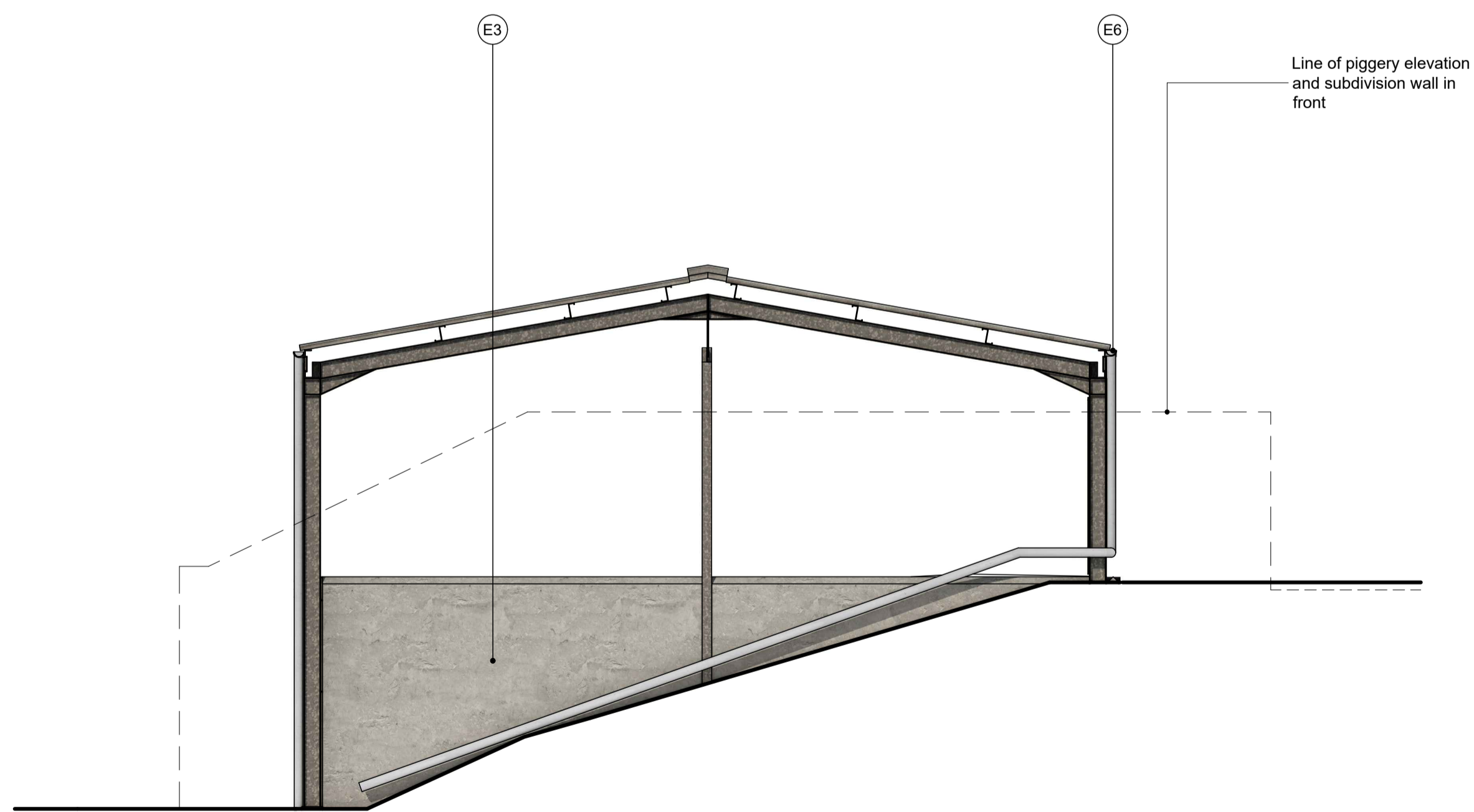
Job	Drawing number	Revision
1901	PA-0017	00



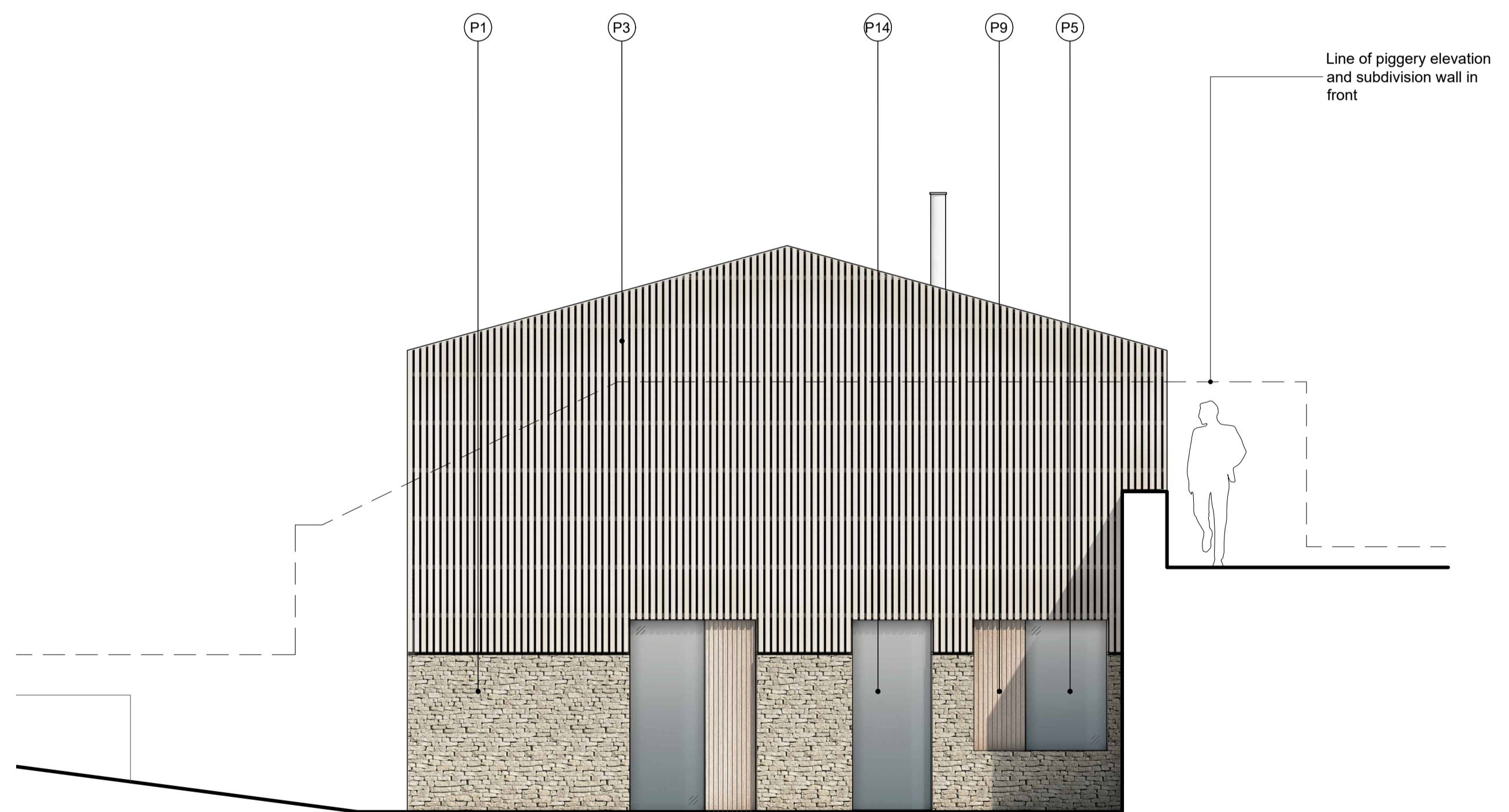
01 Elevation 12 As Existing
1:50



02 Elevation 12 As Proposed
1:50



03 Elevation 13 As Existing
1:50



04 Elevation 13 As Proposed
1:50

