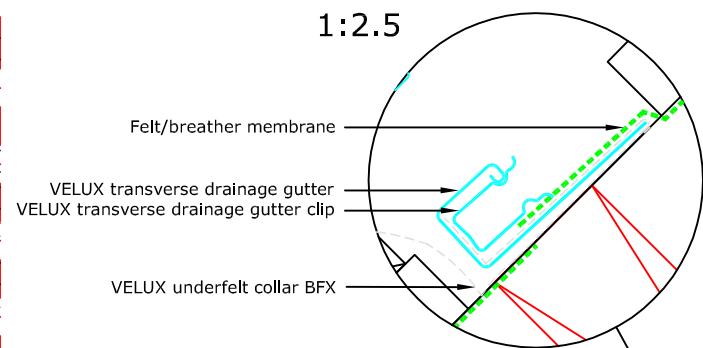
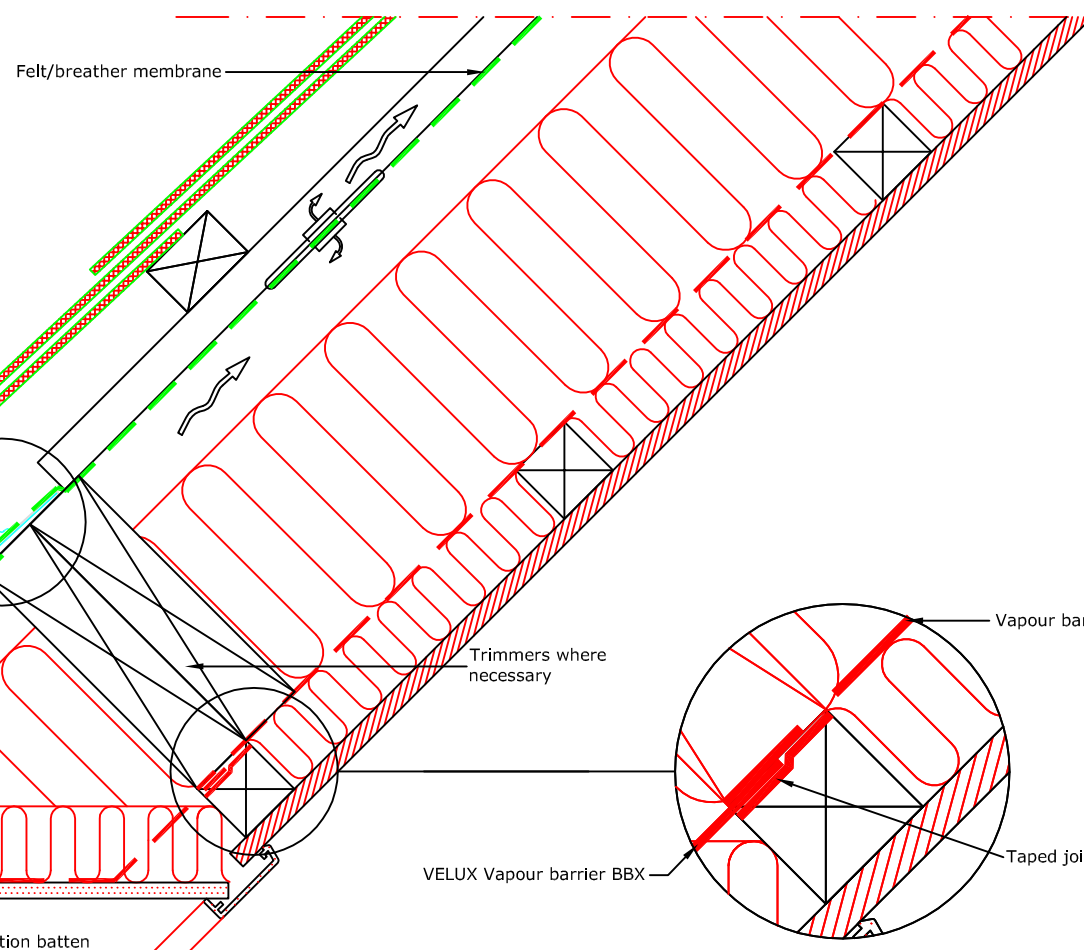
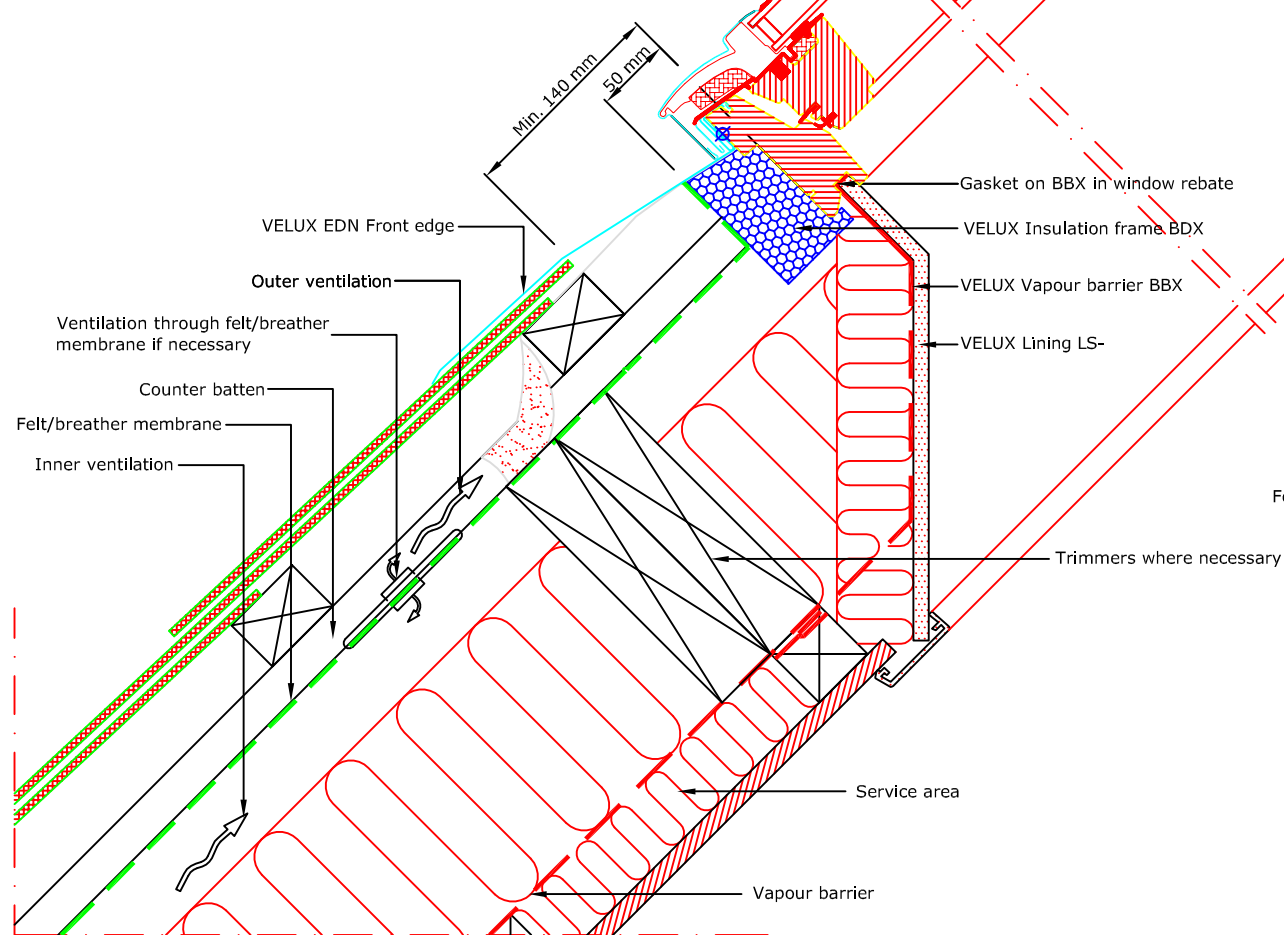


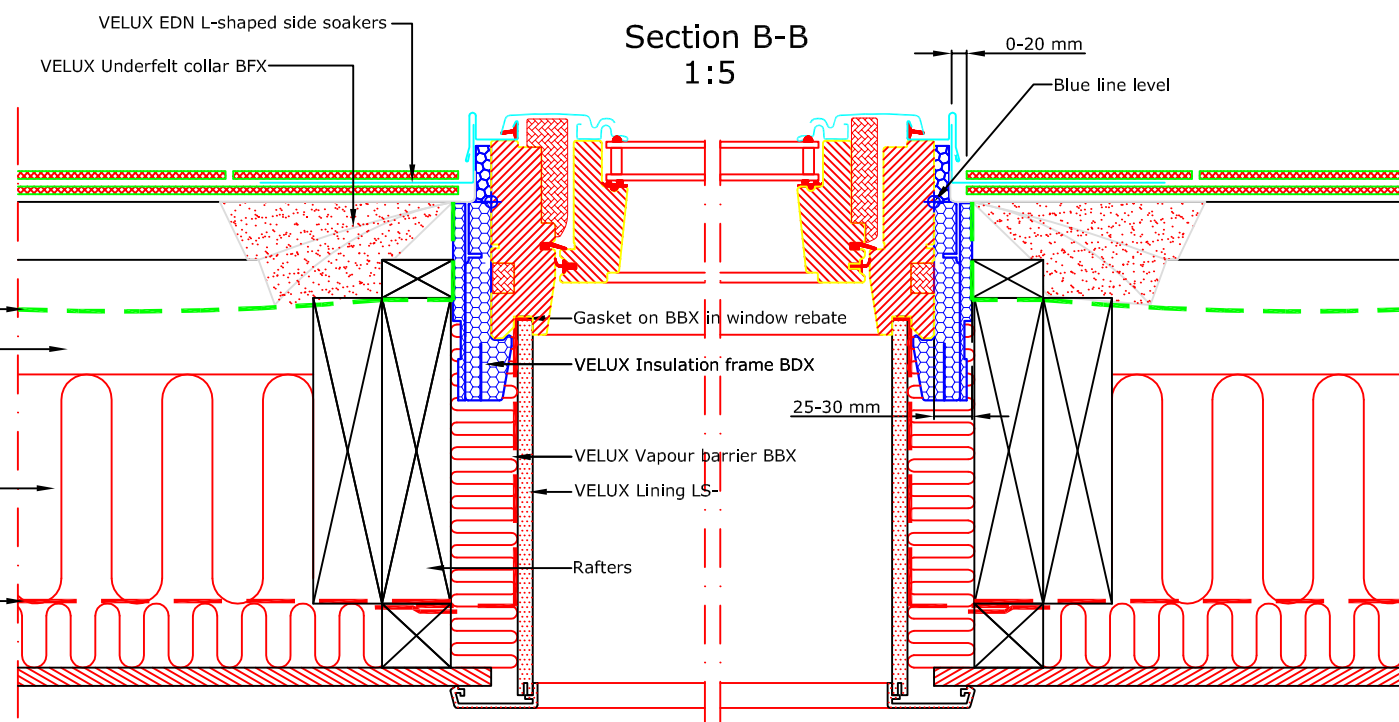
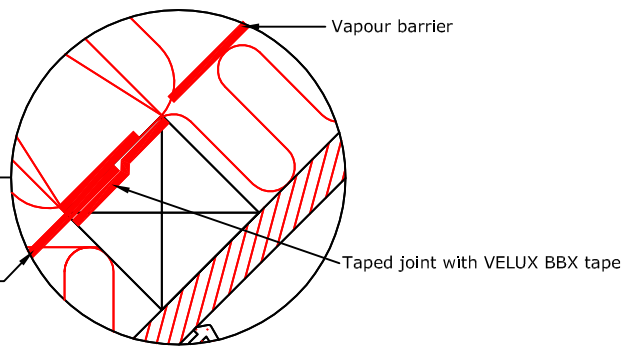
TYPICAL ELEVATION



Section A-A
1:5



VELUX Vapour barrier BBX



Section B-B
1:5

- VELUX Products:
- GGL 15°-90°
 - EDN 20°-90°
 - BFX
 - BDX
 - BBX
 - LS-
- Roof covering:
- SLATES < 8 mm



VELUX Company Ltd
Woodside Way
Glenrothes, Fife KY7 4ND
tel: +44 (0) 1592 778 225

VELUX centre-pivot roof window
GGL single installation into natural slate
EDN flashing kit - recessed install into natural slate up to 8mm thick
All dimensions are in millimetres where shown

NOTE! When installing VELUX roof windows, flashings and accessories, please ensure compliance with building regulations and British/European standards where necessary. This detail represents the principles of a typical installation only and the design and specification of the final detail is the responsibility of others.

Latest revision:

Date: **January 2014**
Rev no:
Rev date:
Drawn: **PJH**

File name:
GGL-EDN-0114-1104
Scale: **1:5 approx. @ A3**