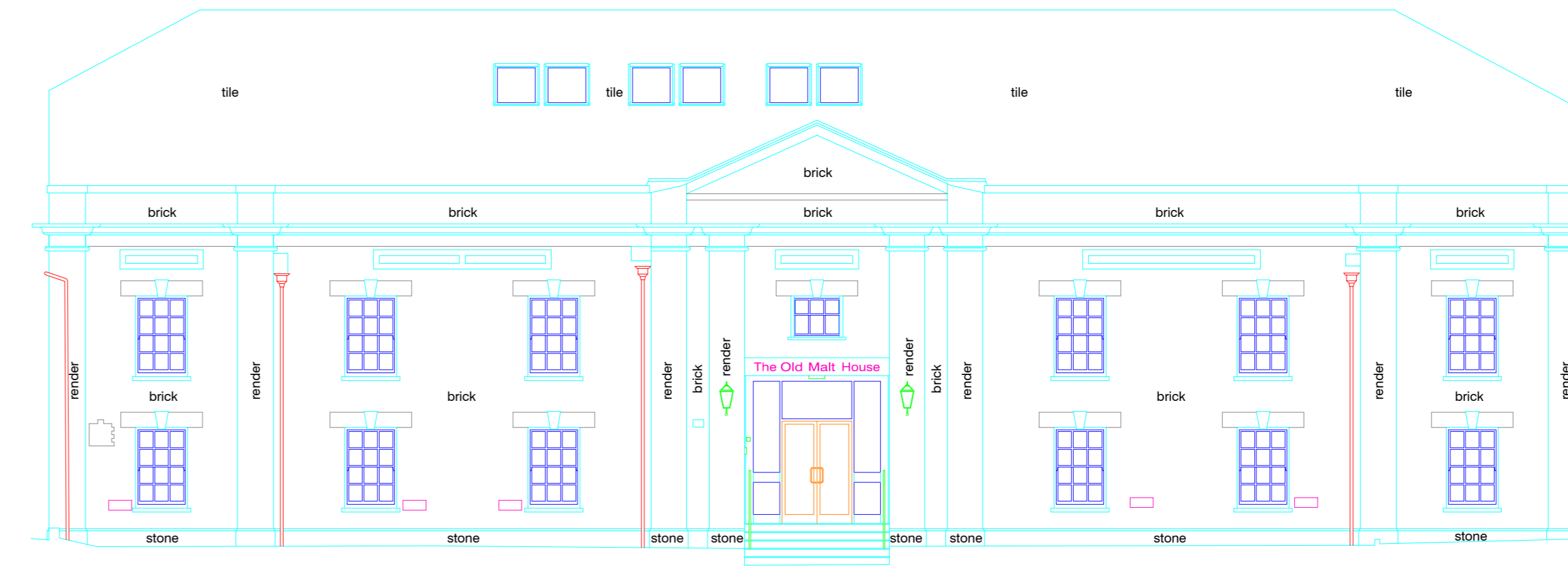
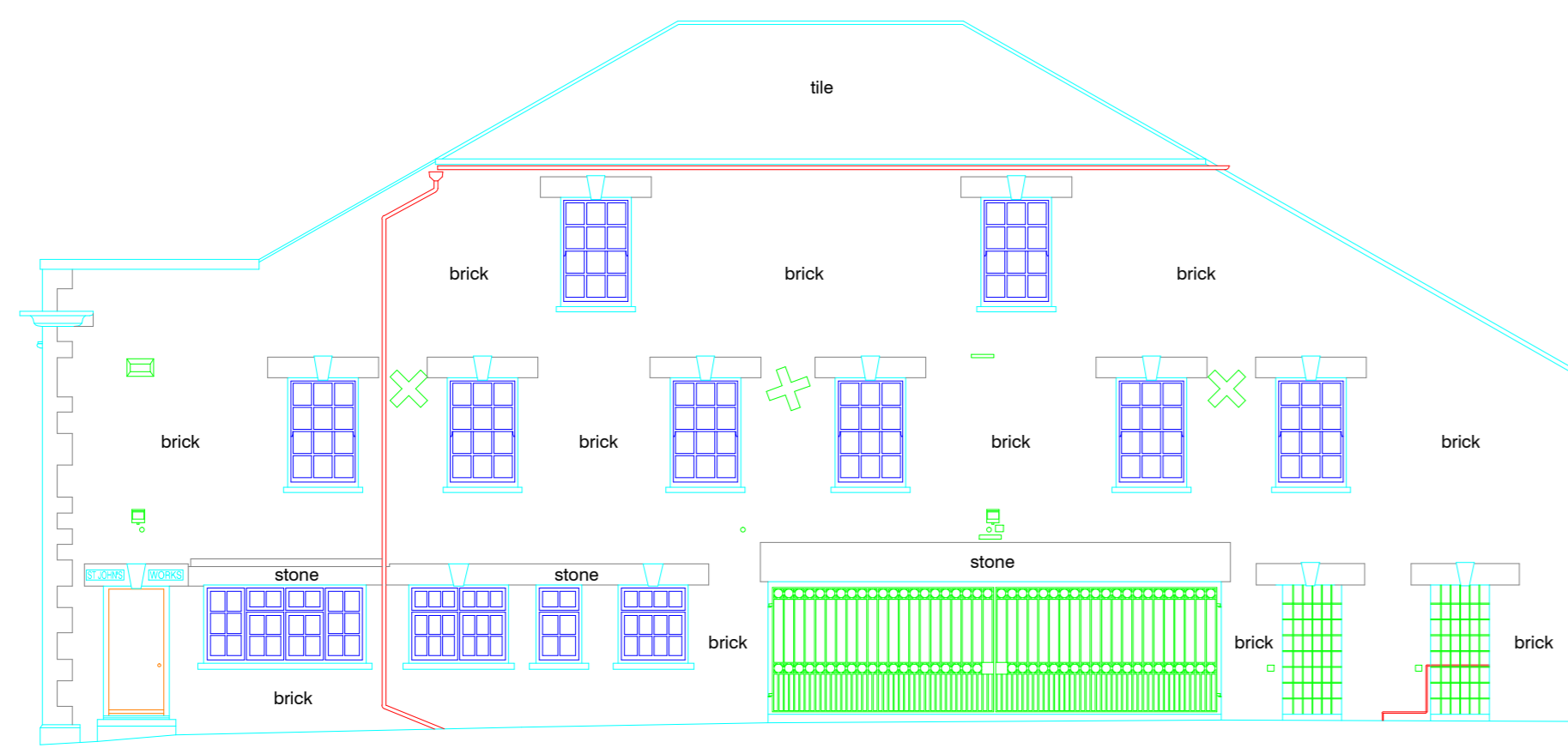


Elevation 1

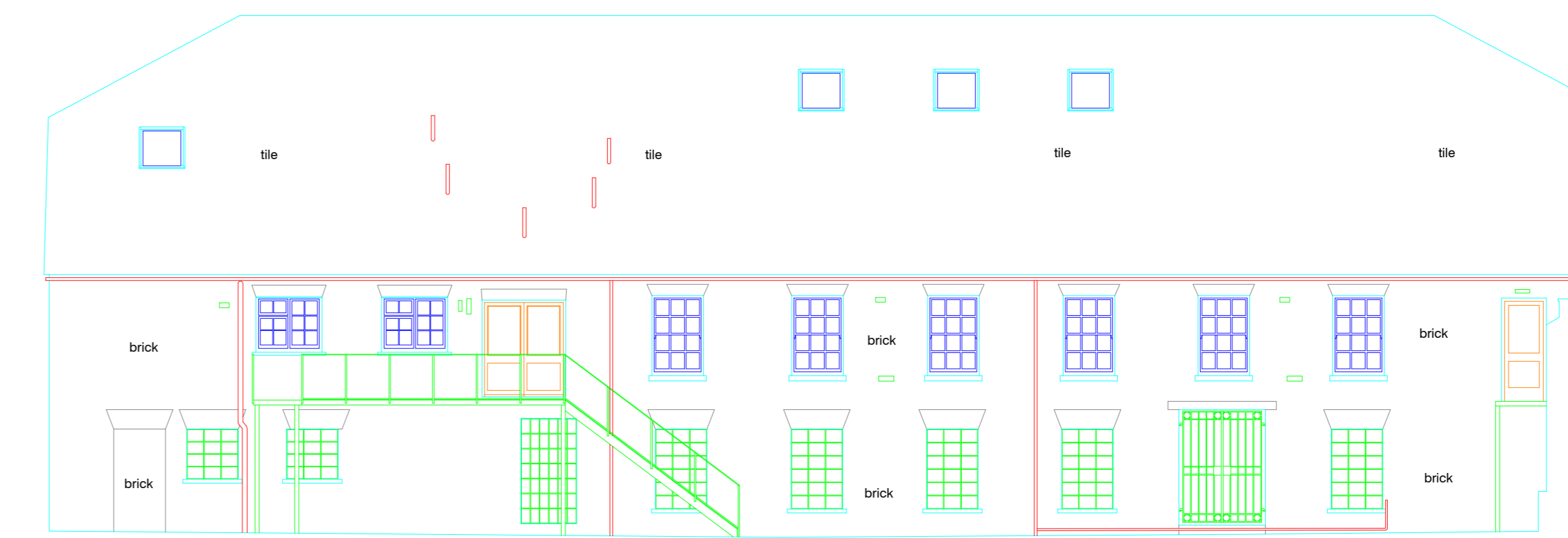


Elevation 2

Level Datum 105.00m

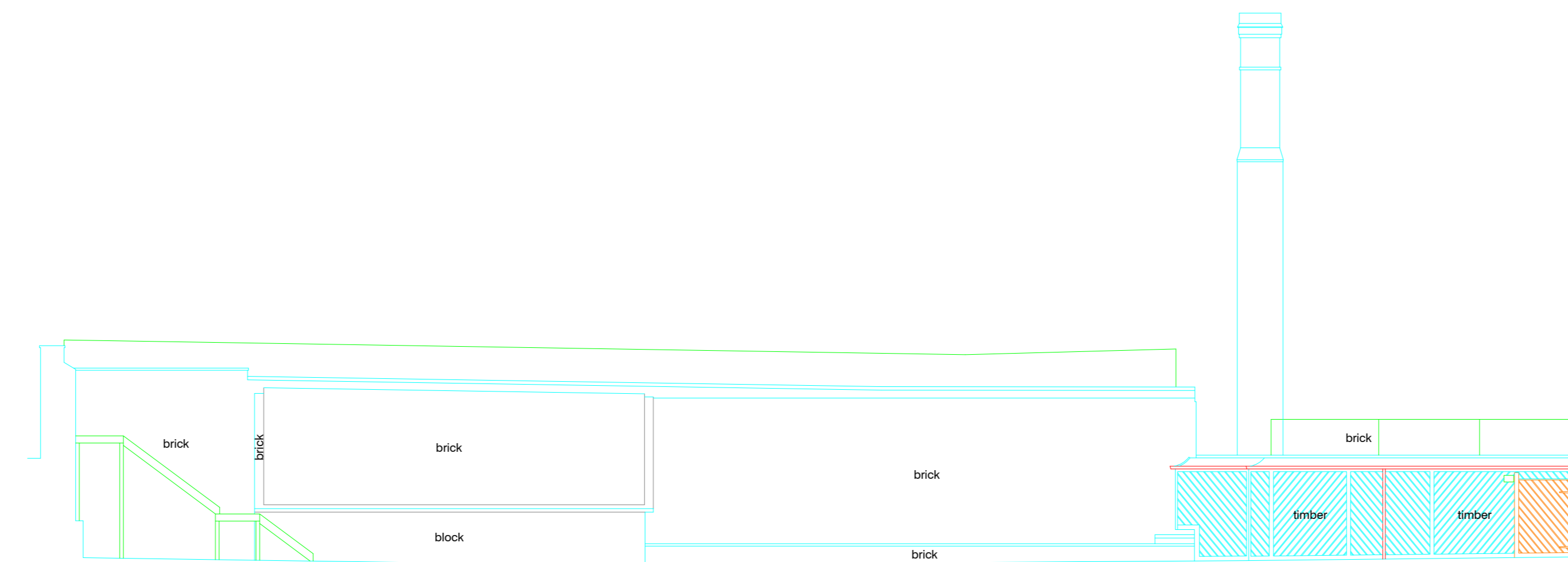


Elevation 3



Elevation 4

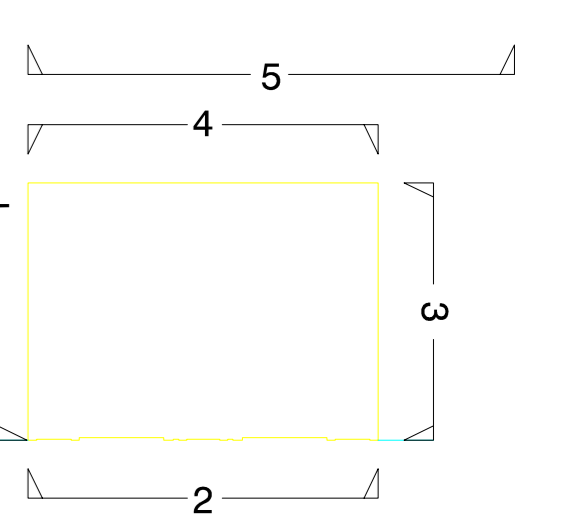
Level Datum 105.00m



Elevation 5

Level Datum 105.00m

KEY TO ELEVATIONS (N.T.S)



Notes:

Levels related to topographical survey 1774956.

Rev	Details of Revision	Drawn	Date

Surveyor	Drawn	Date	Checked	Date	Approved	Date
AMS	MS & RM	26/06/17	APK	26/06/17	APK	26/06/17


 Interlocks Surveys Limited  
 St. Andrews House  
 Radford Semele  
 Leamington Spa  
 Warwickshire  
 CV31 1TF  
 T: 01926 330123  
 F: 01926 330120  
 E: info@interlocksurveys.co.uk

Client:  
 MORRISONS DEVELOPMENTS  
 THE WING  
 LITTLE TINGEWICK  
 BUCKINGHAM  
 MK18 4AG

Title:  
**ELEVATIONS**  
 OLD MALTHOUSE  
 BANBURY  
 ST JOHNS ROAD  
 OX16 5ES

Dwg No. **170456 ELE** Sheet **1 of 1**

Scale 1:100 A0 Sheet Rev. -