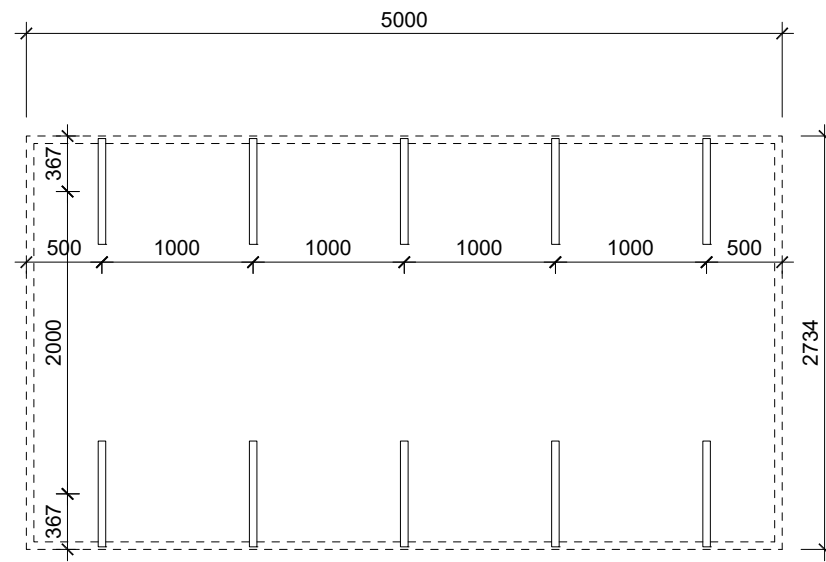
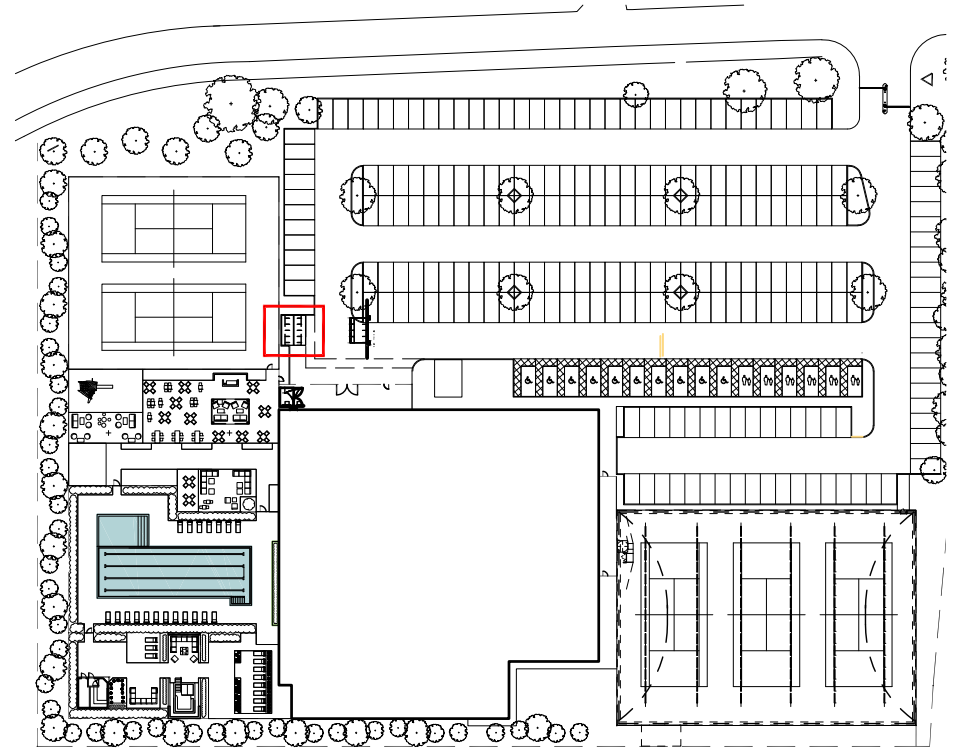


NOTES:

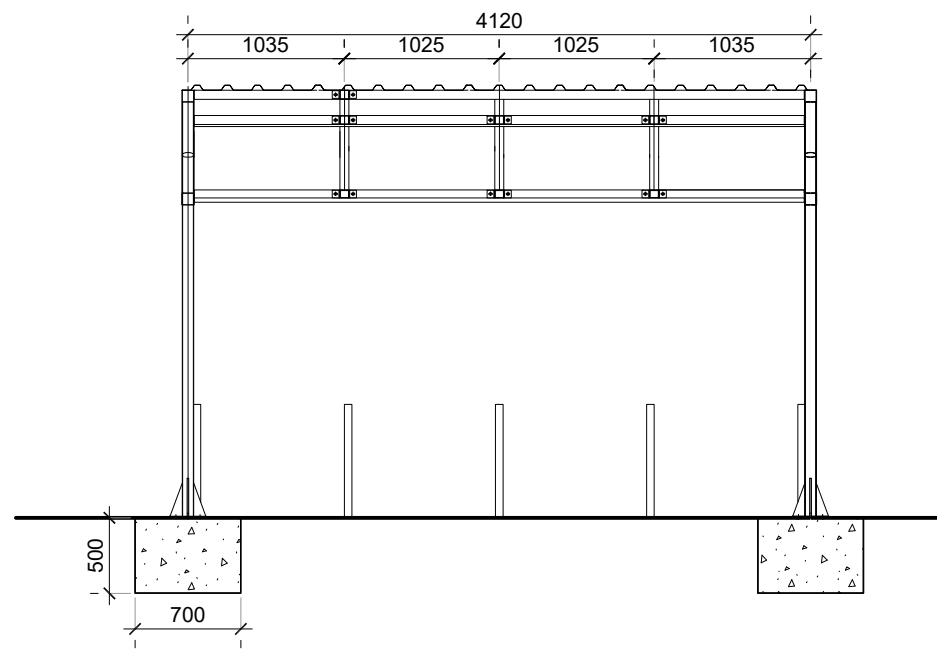


10 No. Cycle hoops, to accommodate 20 No. bikes

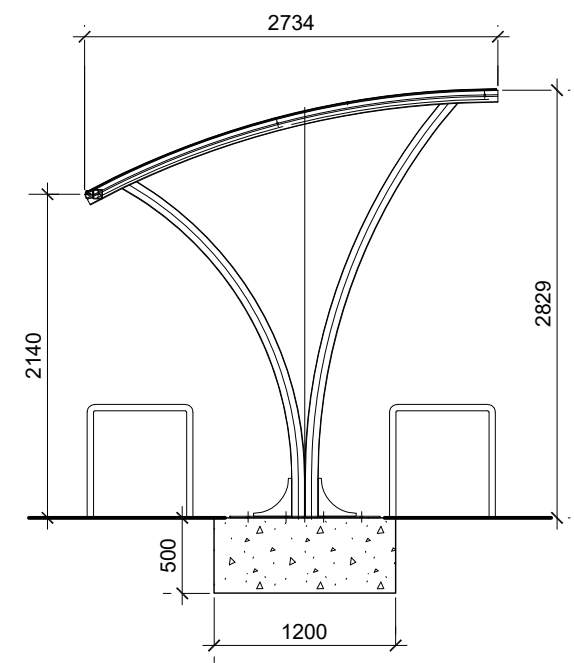


Location Plan
1:1250

Shelter Plan
1:50



Shelter Primary Elevation
1:50



Shelter Secondary Elevation
1:50

REVISION * BY: AJ CHECKED: DATE: 26/07/2019
Planning Issue

PLANNING

PLOT DATE



CLIENT:

CATALYST BICESTER

PROJECT:

CYCLE SHELTER DETAIL

DRAWING: DRAWN BY: AJ SCALE: 1:50 @ A3 DATE: JUL 2019

Hadfield Cawkwell Davidson
Broomgrove Lodge, 13 Broomgrove Rd, Sheffield, S10 2LZ T 0114 266 8181 www.hcd.co.uk