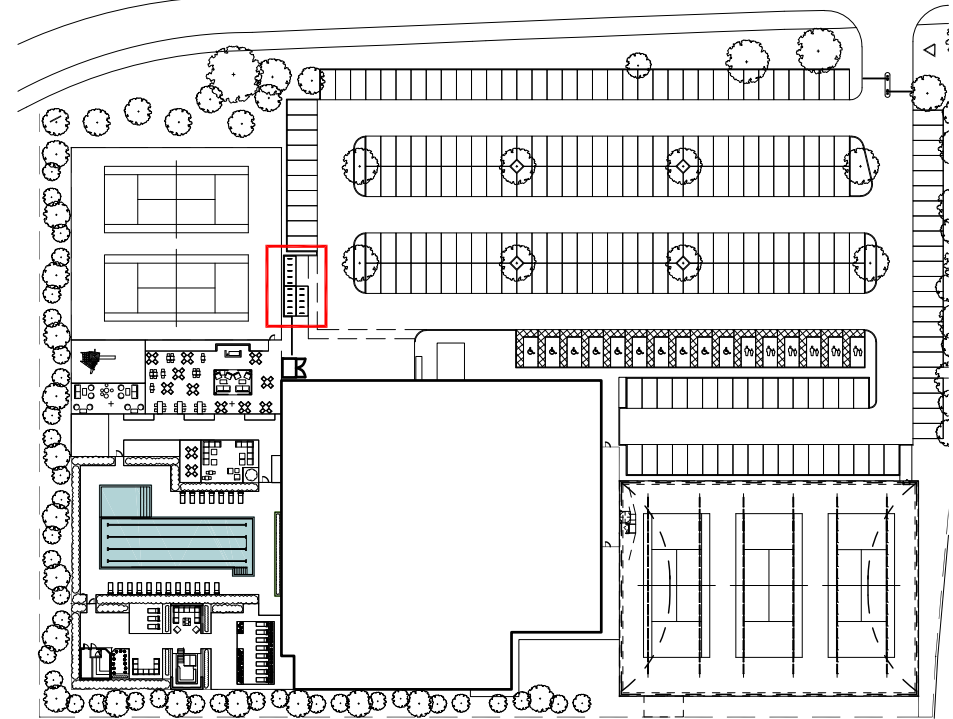


15 No. Cycle hoops, to accommodate 30 No. bikes

Shelter Plan
1:50



Location Plan
1:1250

REVISION P02	BY: ARB	CHECKED:	DATE: 26/03/2020
Drawing updated to show increased provision			
REVISION P01	BY: JAH	CHECKED:	DATE: 20/08/2019
Drawing no. revised			
REVISION *	BY: AJ	CHECKED:	DATE: 26/07/2019
Planning Issue			

PLANNING

PLOT DATE: _____



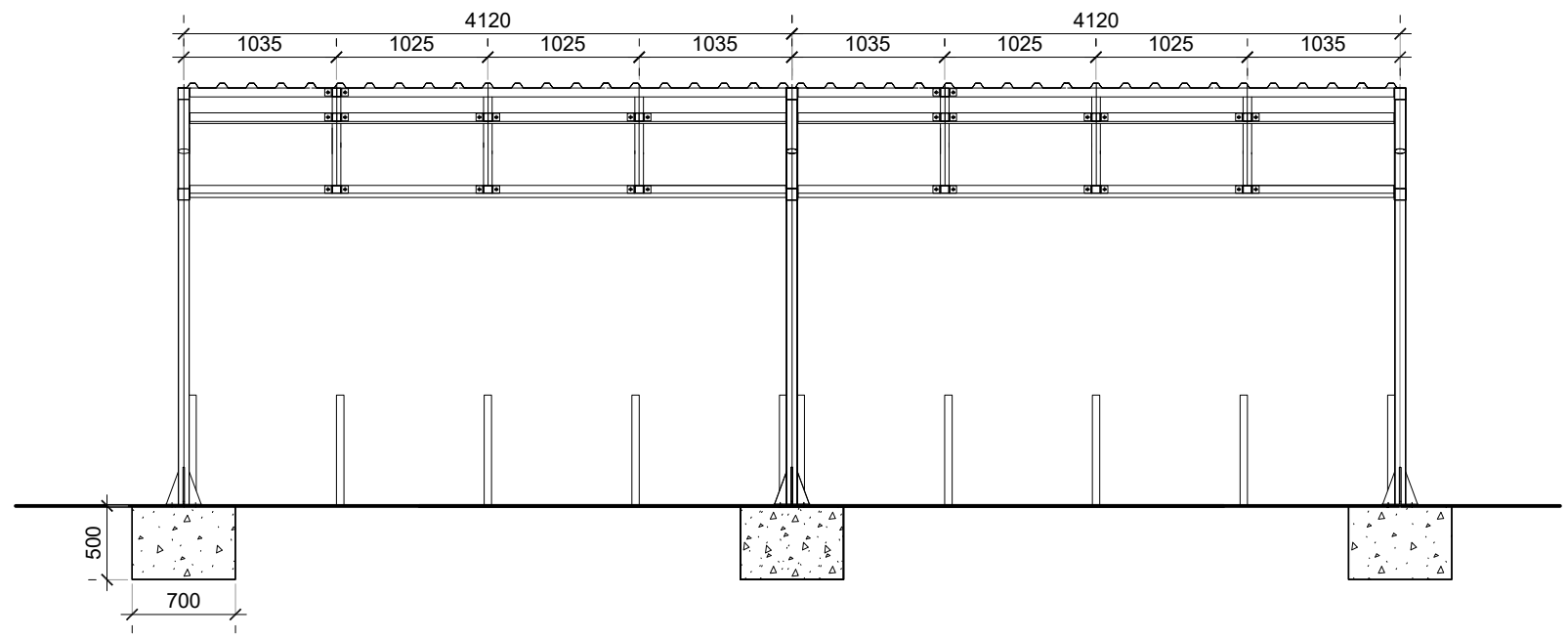
CLIENT: _____

CATALYST BICESTER

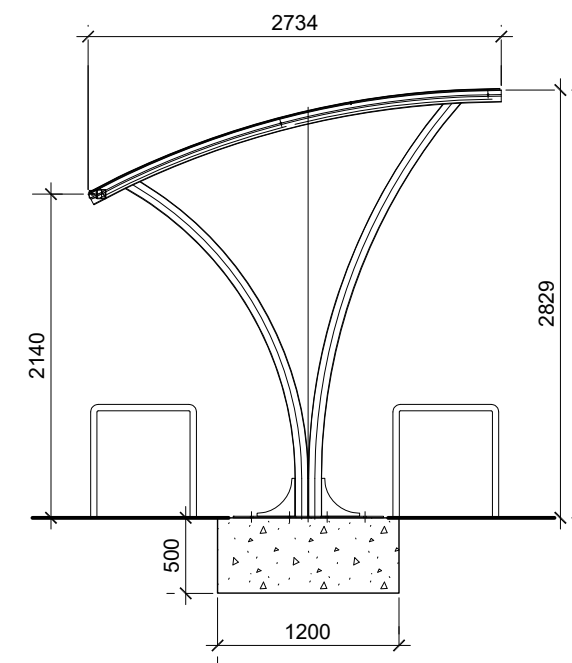
PROJECT: _____

CYCLE SHELTER DETAIL

DRAWING:	SCALE:	DATE:
DRAWN BY: AJ	1:50 @ A3	JUL 2019



Shelter Primary Elevation
1:50



Shelter Secondary Elevation
1:50

Hadfield Cawkwell Davidson