

- Notes:
- DO NOT SCALE FROM THIS DRAWING.
 - ALL DIMENSIONS ARE IN METRES UNLESS OTHERWISE STATED.
 - THIS DRAWING IS TO BE PRINTED IN COLOUR.
 - THE TOPOGRAPHICAL SURVEY INFORMATION HAS BEEN PROVIDED BY SURVEY SOLUTIONS (DRAWING NO 38942CVLS-01) AND VELOCITY TRANSPORT PLANNING SHALL NOT BE LIABLE FOR ANY INACCURACIES OR DEFICIENCIES.
 - THIS DRAWING HAS BEEN ISSUED FOR INFORMATION PURPOSES AND MUST NOT BE USED FOR CONSTRUCTION.



Drawing Status	S2 - FOR INFORMATION
Client	FirethornTRUST
Architect	

Project Title	NW BICESTER				
Drawing Title	PROPOSED FOOTBRIDGE CROSSING WATERCOURSE				
Scale @ A3	Date	Designed/Drawn	Checked	Approved	
AS SHOWN	08/03/22	GSF	CR	MK	
Project Ref	Drawing Number			Rev	
4600-1100	4600-1100-T-059			A	

Rev	Date	Description	Drn	Chk	App
A	08/03/22	FIRST ISSUE	GSF	CR	MK

Drawing file: 4600-1100-T-059-A - Footbridge Design.dwg Date: Mar 09, 2022 - 9:39am



BEAVER 
BRIDGES

POLYbridge™

LINKING NEW FRP TECHNOLOGY
WITH THE ENVIRONMENT

WELCOME TO A NEW INNOVATION IN BRIDGING CONSTRUCTION

POLYbridge™ and POLYwalk™ are a new innovation in the replacement of tanalised wood and steel used in the construction of right-of-way bridges, ditch crossings and boardwalks. Providing local authorities with an exceptionally long-life product, POLYbridge™ and POLYwalk™ installations won't warp over time unlike 100% recycled plastic alternatives.

POLYbridge™ and POLYwalk™ employ a unique composite of structural FRP outer with a recycled plastic core. These installations look great and authentic, are fast and simple to install and far outlast traditional alternatives. Our high-quality planks are also available as an alternative to wood for a deck on any of your existing bridges or walkways.

WHY POLYbridge™?



QUALITY ASSURED

Complies with BS4592-0:2006+A1:2012 5kN/m² loading requirements.



DURABLE DESIGN

With a design life in excess of 60 years, POLYbridge™ is highly impact resistant, won't rot like wood or rust like steel, and will keep its good looks long after traditional alternatives need to be replaced. Unlike fully recycled plastic profiles, the glass reinforced outer skin means units will not warp and twist through thermal expansion when exposed to sunlight.



ENVIRONMENTALLY FRIENDLY

Wood preservatives can be very harmful to the environment and are toxic to many animals and plants. But above all else, they only work in preserving wood for a short time, resulting in further negative environmental impact when they need regular replacement. With no leaching of containments and a core that contains 140 recycled 500ml plastic bottles per sqm, POLYbridge™ is great for the environment in so many ways.



AESTHETICALLY PLEASING

POLYbridges™ and POLYwalks™ are hard to distinguish from natural wood, with a range of shades available to suit the surroundings in which they are installed. A drawback for steel and other composite bridges is the industrial aesthetic which makes them stand out in an otherwise natural environment.



LIGHTWEIGHT STRUCTURES

Factory pre-made bridges and walkways are easy to handle and carry. As such, they can be taken to sites that are often hard to access and lifted into place and fixed. This leads to drastically reduced installation times when compared with wood or steel.



INSTALLATION SERVICE

As POLYbridge™ and POLYwalk™ are so simple to install, why wouldn't we offer this service?



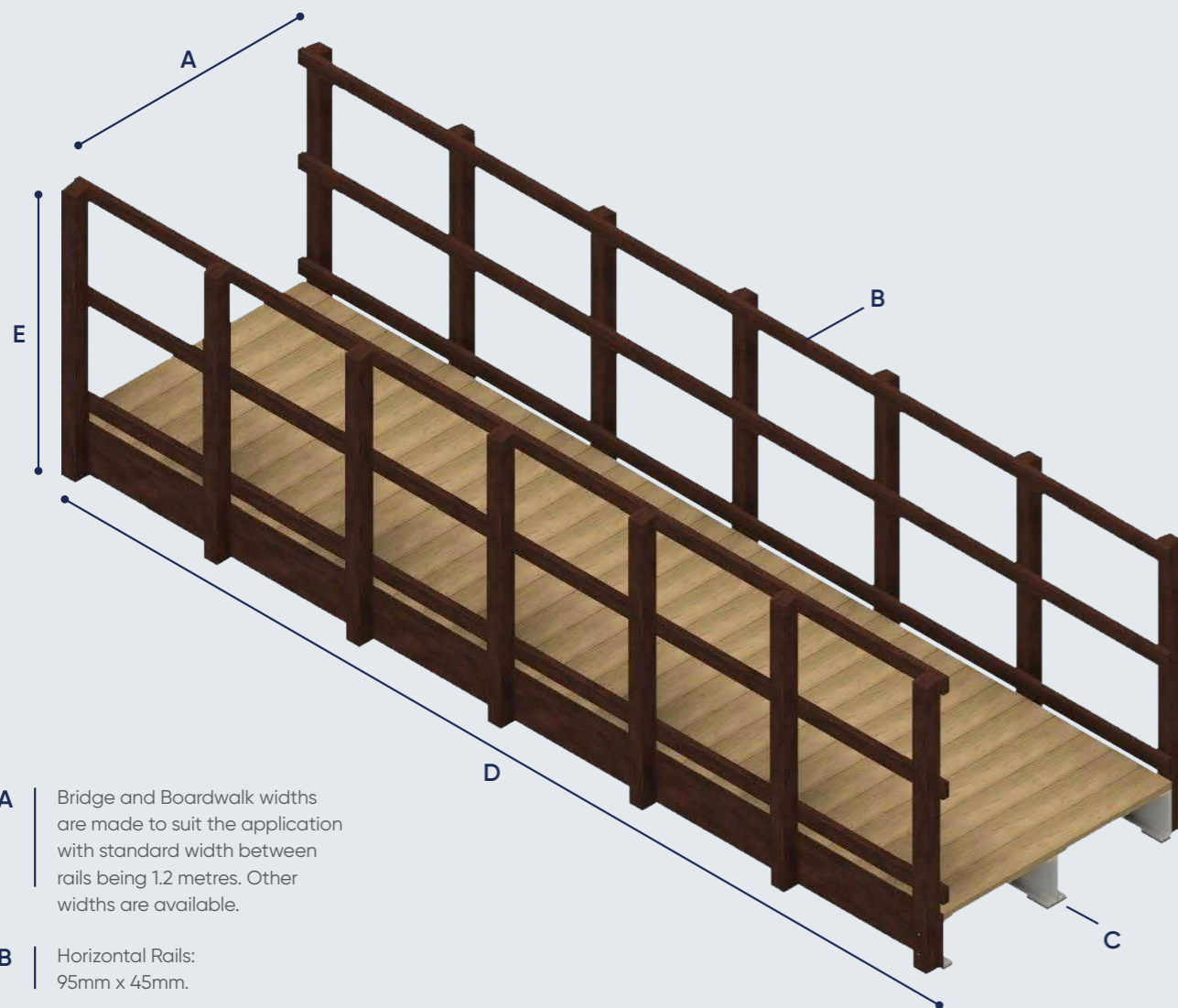
POLYbridge™ EXPLAINED

POLYbridge™ solves the major problem local authorities have in the maintenance and constant replacement of wooden right-of-way structures.

In some environments, wood structures last only a few years. By installing POLYbridge™, it's a case of fit it – and forget it!



140 recycled plastic bottles per square metre!



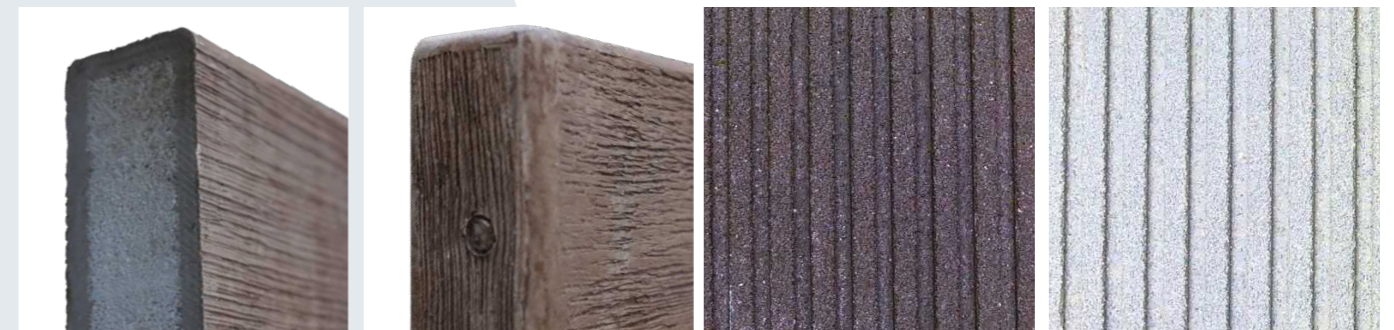
- A** Bridge and Boardwalk widths are made to suit the application with standard width between rails being 1.2 metres. Other widths are available.
- B** Horizontal Rails: 95mm x 45mm.
- C** High strength FRP Sub-structure.
- D** Range of standard lengths from 3 metres up to 12 metres.
- E** Vertical Posts (Thickness): 75mm x 75mm or 100mm x 100mm. Lengths to suit application: Footpath 1.1m, Cycleway 1.4m, Bridleway 1.8m.

Simpler Ditch Crossings are also available in 'Rail Sleeper' plank and single hand rail.



All profiles have a recycled bottle core with a closed off end to complete the natural wood appearance.

Deck Planks of 200mm wide / 5mm anti-slip castellated top with 5mm near diamond hard, wear resistant, surface. Available in two colours: Pine or Redwood.





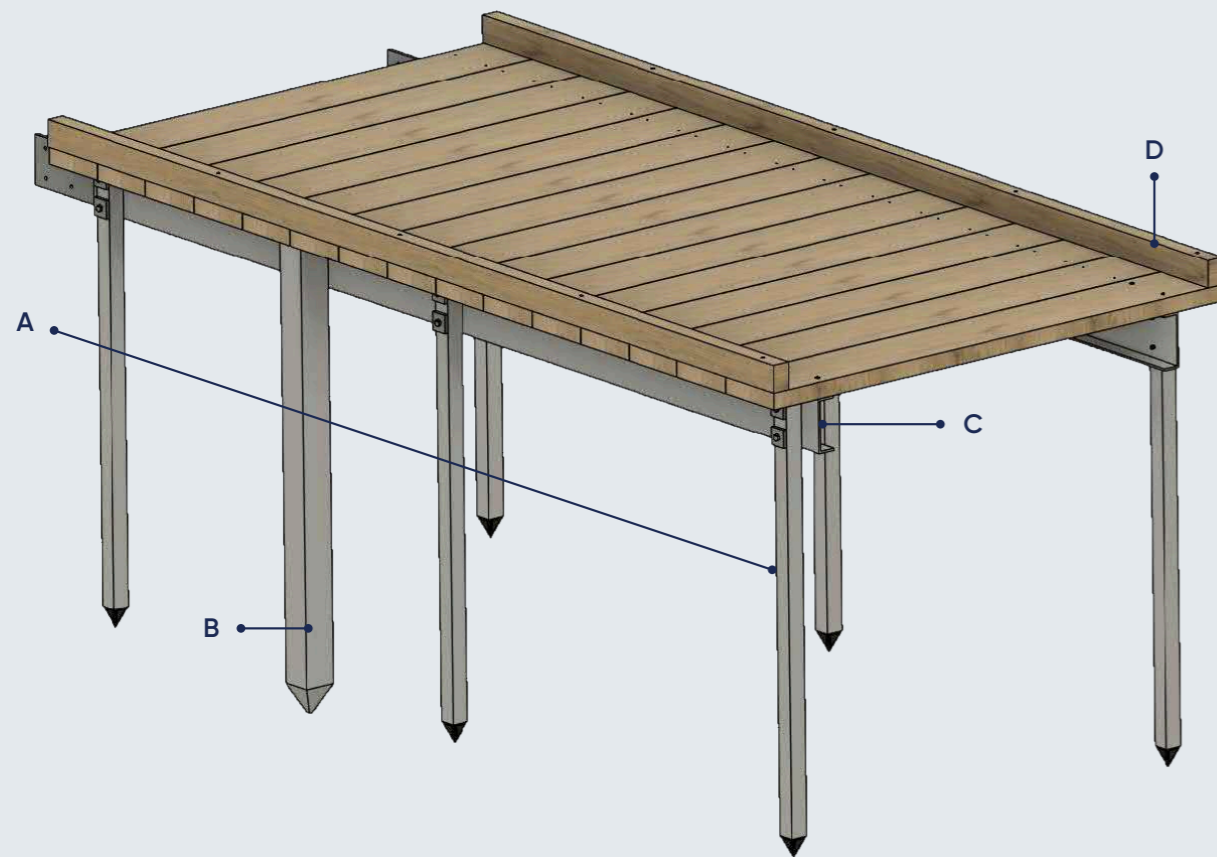
POLYwalk™ EXPLAINED

POLYwalk™ blends perfectly into the natural environment where it replaces wooden boardwalks, providing a safe, non-slip walkway that's suitable for all weathers.

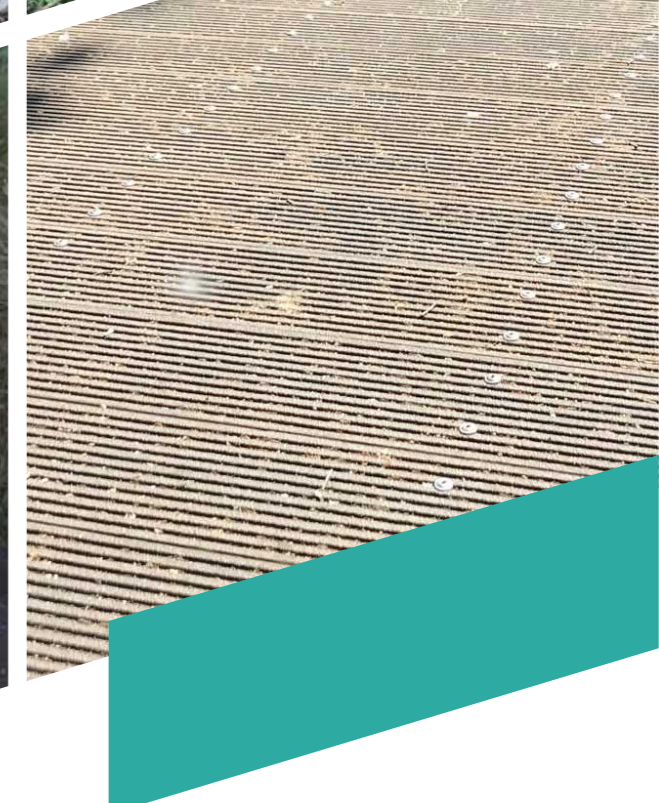
The lightweight, all FRP sub-structure provides for easy carrying of the 3-metre-long components to the installation site. Installation time is quick and simple, and the finished installation provides many years of near maintenance-free use.



140 recycled plastic bottles per square metre!



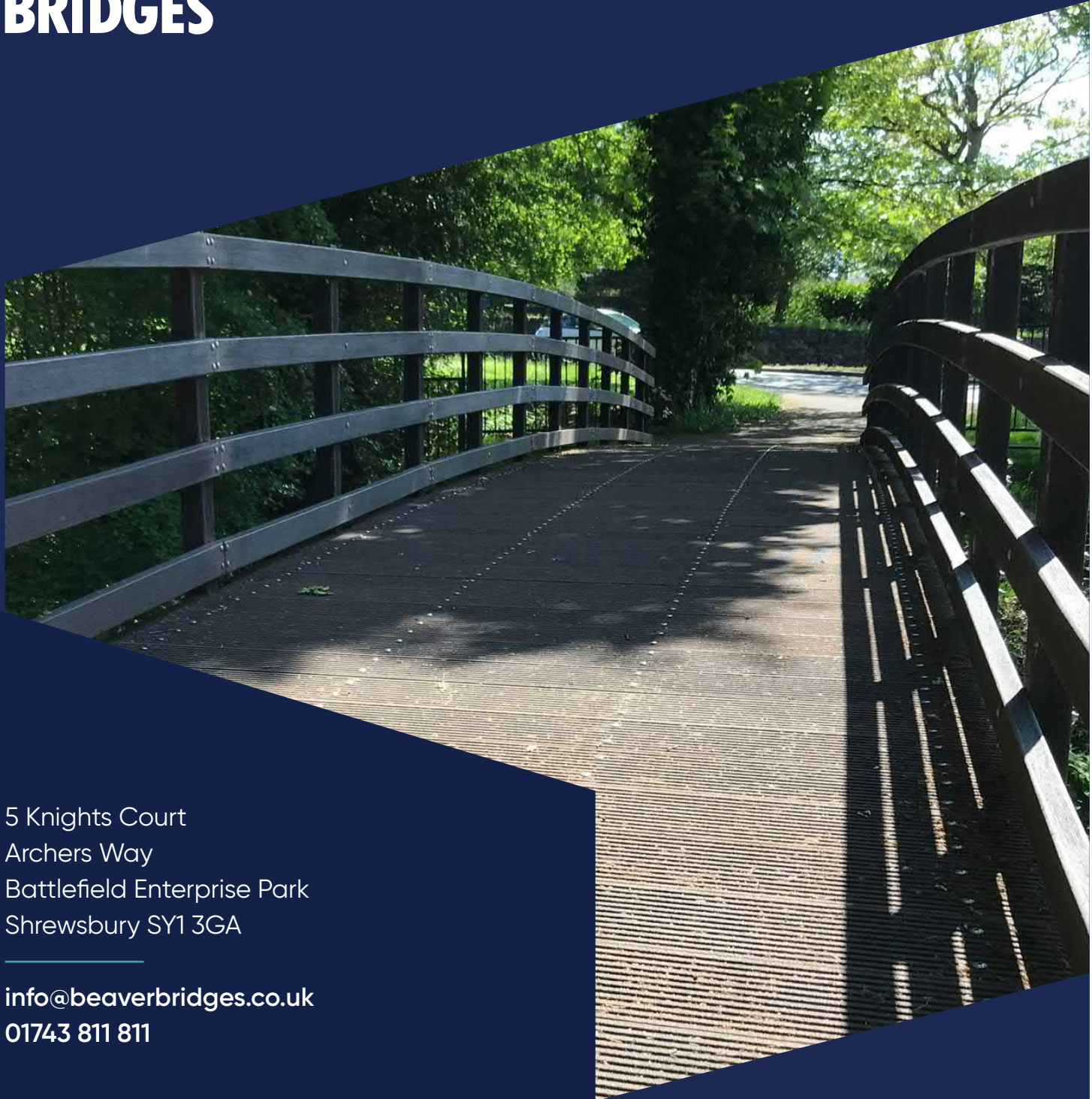
- A** | Standard 3 metre interlocking lengths.
- B** | FRP & Recycled plastic stakes are driven into the ground to support the structure and these will not rot or corrode and are not affected by water.
- C** | High strength FRP Sub-structure.
- D** | Edging rails for wheelchair safety.



5mm near diamond hard gritted surface with a recycled bottle core on planks.

Deck Planks of 200mm wide / 5mm anti-slip castellated top with 5mm near diamond hard, wear resistant, surface. Available in two colours: Pine or Redwood.





5 Knights Court
Archers Way
Battlefield Enterprise Park
Shrewsbury SY1 3GA

info@beaverbridges.co.uk
01743 811 811

beaverbridges.co.uk



Mark Kirby

Subject: FW: Bicester Footbridge
Switch-MessageId: db66d05df07e4a67bc56c205a6d162f8

From: Ian McCrerie <ian@beaverbridges.co.uk>
Sent: 22 March 2022 09:52
To: Mark Kirby <mkirby@velocity-tp.com>
Subject: RE: Bicester Footbridge

[EXTERNAL] This message was sent from outside your organization

Mark,

Good Morning, I hope the below (updated) will suffice.

Some Budget Prices for you, all subject to review on receipt of firm scope & Such as measure GIs sales site visit etc

- Based on a size of circa 8 Mtr Span x 4 Mtr Width
- ~~C24 Timber Bridge largely as indicated £ 10,000 Ex works not offered~~
- Hardwood unit (Ekki) circa £56,700
- FRP construction bridge Circa £ 50,355.98 Ex works
- Transport to be confirmed budget on £1000/1500
- Foundations (based on Legato precast block) Like LEGO £1,740 blocks only
- Install Foundations as above include an amount of sundry items £5,750 does not include "Muck Away"
- Install bridge to foundations £2,250 (labour and sundries only.
- I have not included for any lifting equipment as the detail is too vague to quantify however budget up to say £1,500 although a survey may suggest something more / less.

Best regards,

Ian McCrerie
Engineer
Email ian@beaverbridges.co.uk



M: 07773 031596 | T: 01743 811 811 | W: www.beaverbridges.co.uk
Pedestrian Bridges | Vehicle Bridges | Full Turn Key Packages



ISO 14001:2015 Cert No. EN 1367 | ISO 9001:2015 Cert No. 8134 | OHSAS 18001: 2007 Cert No. OH 1401

