

Do not scale from this drawings

SAFETY HEALTH AND ENVIRONMENTAL INFORMATION

IN ADDITION TO THE HAZARD/RISKS NORMALLY ASSOCIATED WITH THE RISKS AND INFORMATION.
RISKS LISTED HERE ARE NOT EXHAUSTIVE. REFER TO DESIGN ASSESSMENT FORM NO.

CONSTRUCTION
NONE A COMPETENT CONTRACTOR WOULD NOT BE AWARE OF.

DEMOLITION
NONE.

FOR INFORMATION RELATING TO USE, CLEANING AND MAINTENANCE SEE THE HEALTH AND SAFETY FILE

IT IS ASSUMED THAT ALL WORKS WILL BE CARRIED OUT BY A COMPETENT WORKMAN, WHERE APPROPRIATE, TO AN ACCEPTED METHOD STATEMENT.

PIPE BEDDING MATERIAL DETAILS

1 MATERIAL DESIGNATED TYPE 'A' SHALL CONSIST OF ANGULAR GRAVEL OR CRUSHED ROCK GRADED IN ACCORDANCE WITH BS 882 : 1992, OR AIR COOLED BLAST FURNACE SLAG TO BS 1047 : 1983, OR SINTERED PULVERISED FUEL ASH TO BS 3797 : 1990. SELECTED ACCORDING TO PIPE SIZE AS FOLLOWS:-

| NOMINAL SIZE OF PIPES (mm) | MAXIMUM PARTICLE SIZE (mm) | IMPORTED GRANULAR MATERIALS |
|----------------------------|----------------------------|--|
| 100 - 125 | 10 | 10mm NOMINAL SINGLE-SIZE |
| 150 - 200 | 15 | 10 or 14mm NOMINAL SINGLE-SIZE OR 14mm 10 5mm GRADED |
| 225 - 300 | 20 | 10, 14 or 20mm NOMINAL SINGLE-SIZE OR 14mm 10 5mm GRADED OR 20mm 10 5mm GRADED |
| 375 - 500 | 20 | 14 or 20mm NOMINAL SINGLE-SIZE OR 14mm 10 5mm GRADED OR 20mm 10 5mm GRADED |
| OVER 500 | 40 | 14, 20 or 40mm SINGLE-SIZE OR 14mm 10 5mm GRADED OR 20mm 10 5mm GRADED OR 40mm 10 5mm GRADED |

2 MATERIAL DESIGNATED TYPE 'B' USED UNDER GARDENS AND VERGES SHALL CONSIST OF UNIFORM BEADY COMPACTED SANDS RETAINED ON A 75mm SIEVE AND EXCLUDING CLAY LUMPS COMPACTED IN 25mm LAYERS.

3 MATERIAL DESIGNATED TYPE 'B' USED UNDER ROADS AND FOOTPATHS SHALL CONSIST OF GRANULAR MATERIAL AS USED FOR CARRIAGEWAY SUB-BASE CONSTRUCTION.

Table 5.14 - Rocker pipe length

| Nominal diameter of pipe (mm) | Effective length (m) |
|-------------------------------|----------------------|
| 150 to 600 | 0.6 |
| 675 to 750 | 1.0 |
| Over 750 | 1.25 |

DEGRADATION CHAMBERS DEMARCATION CHAMBERS TO BE AS:
(A) TYPE 'C' FOR DEPTHS UP TO 1.5m
(B) TYPE 'B' FOR DEPTHS FROM 1.5m TO 3m BUT RING SIZE CAN BE 1050mm.

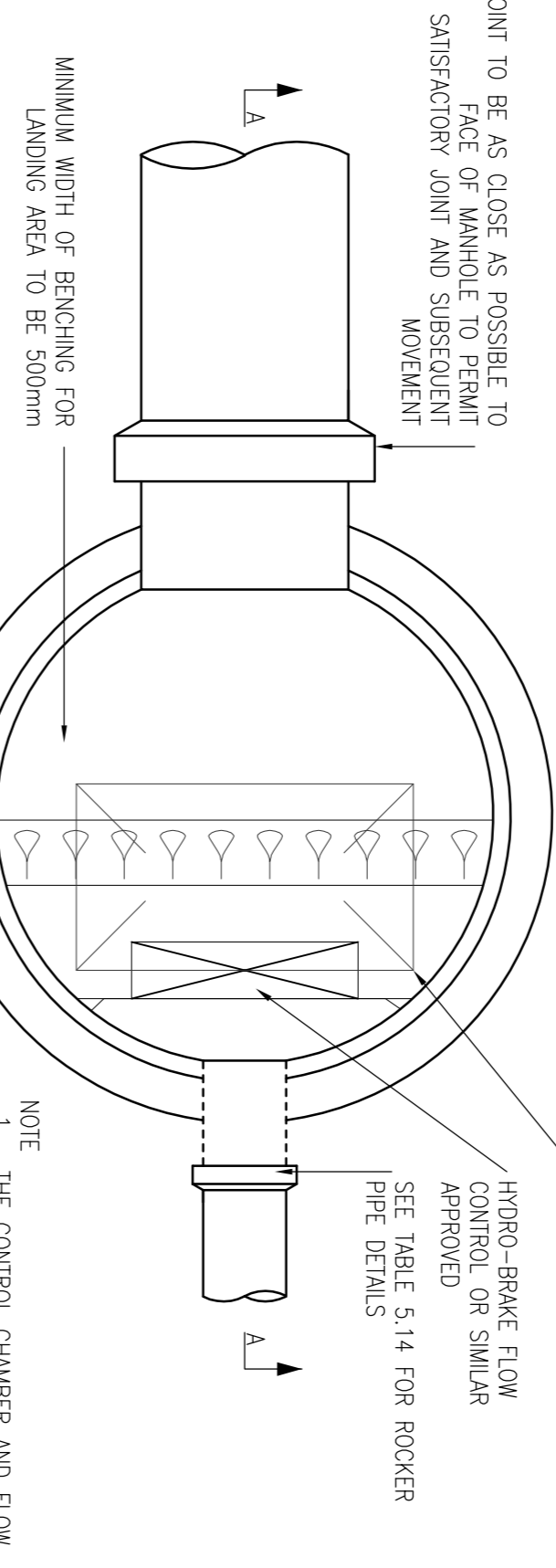
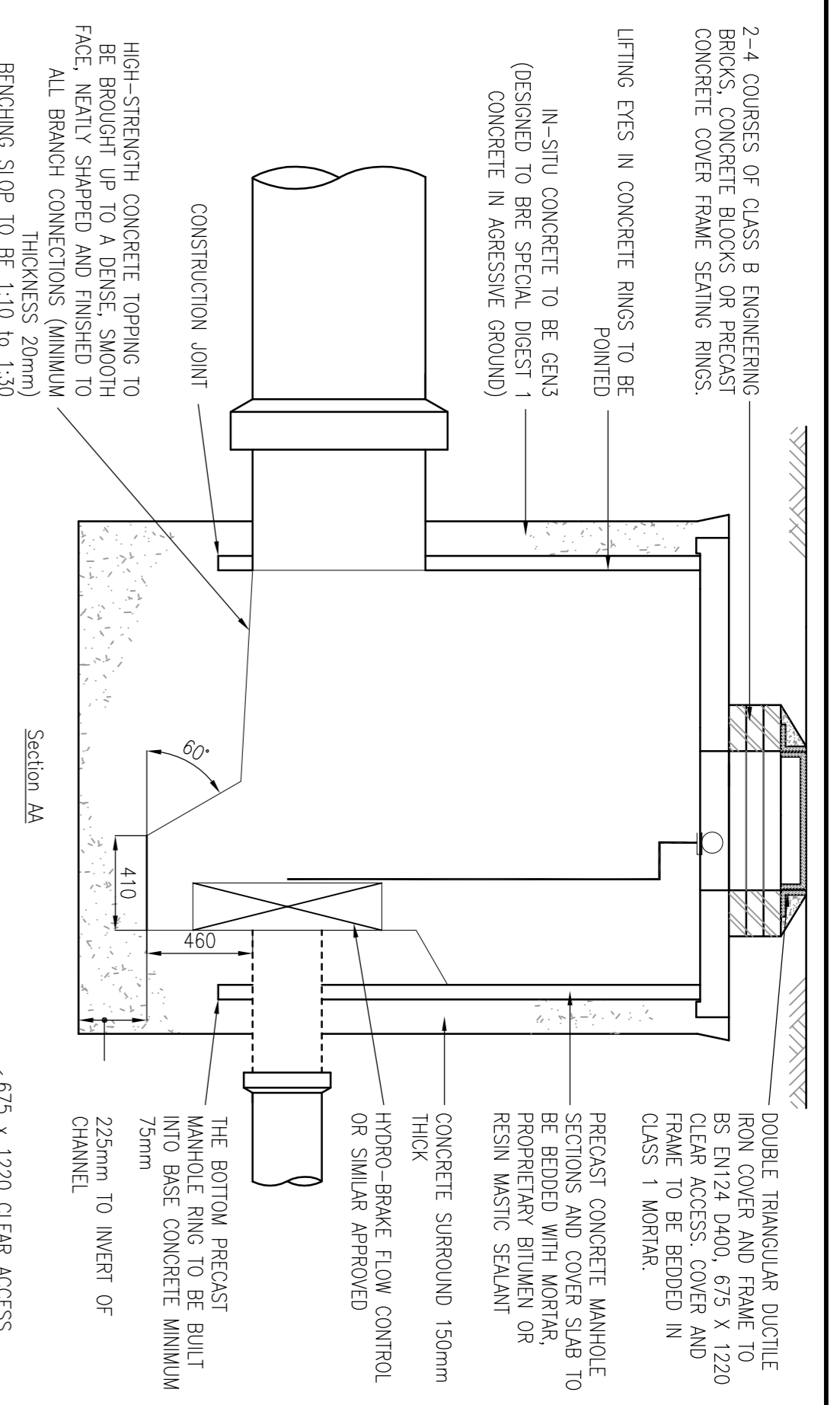
SUBJECT TO TECHNICAL APPROVAL

FAIRHURST

45-51 Winton Road, General Building, B3 3QR
Tel: 0121 213 4892 Fax: 0984 391 4472

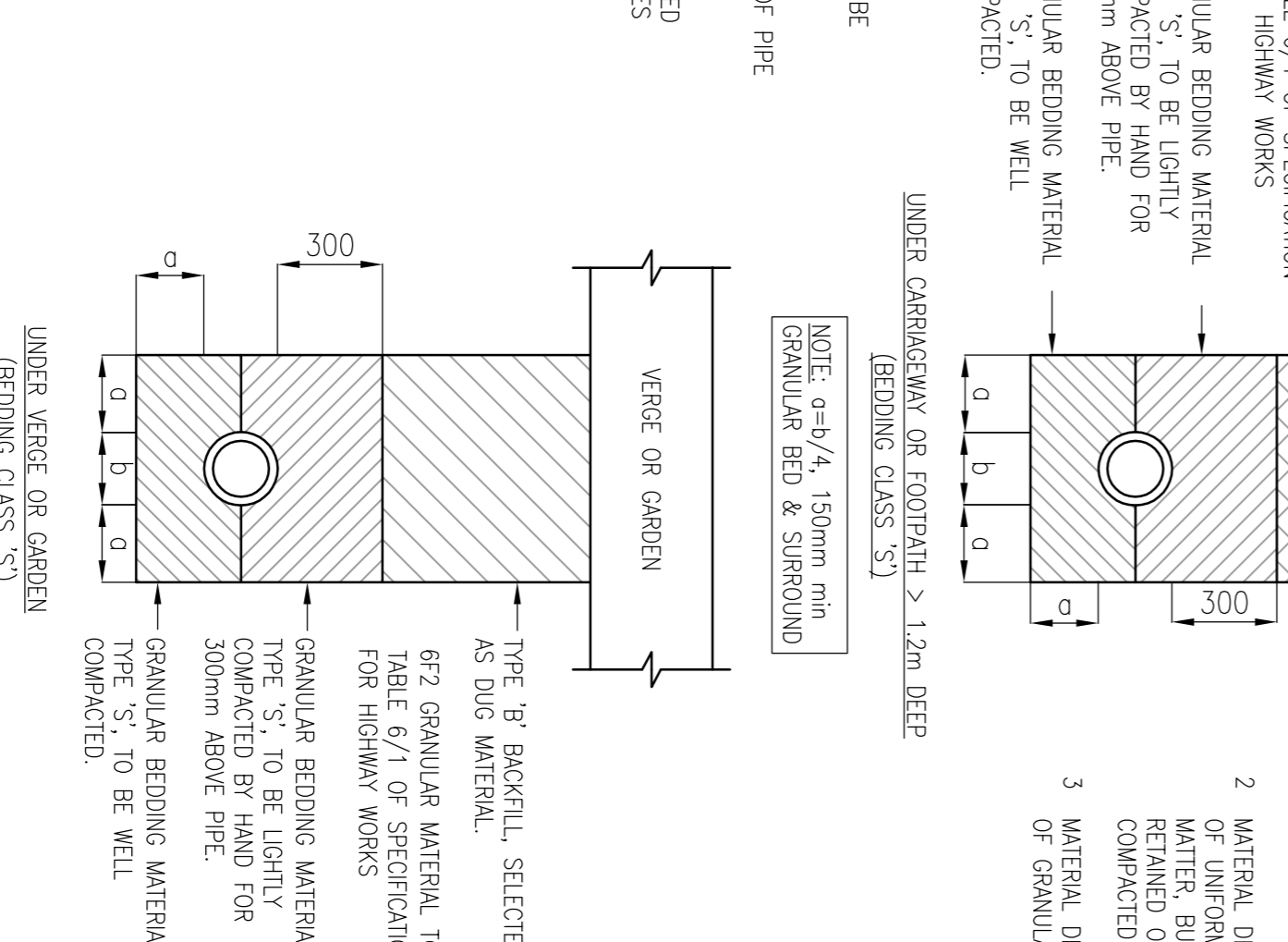
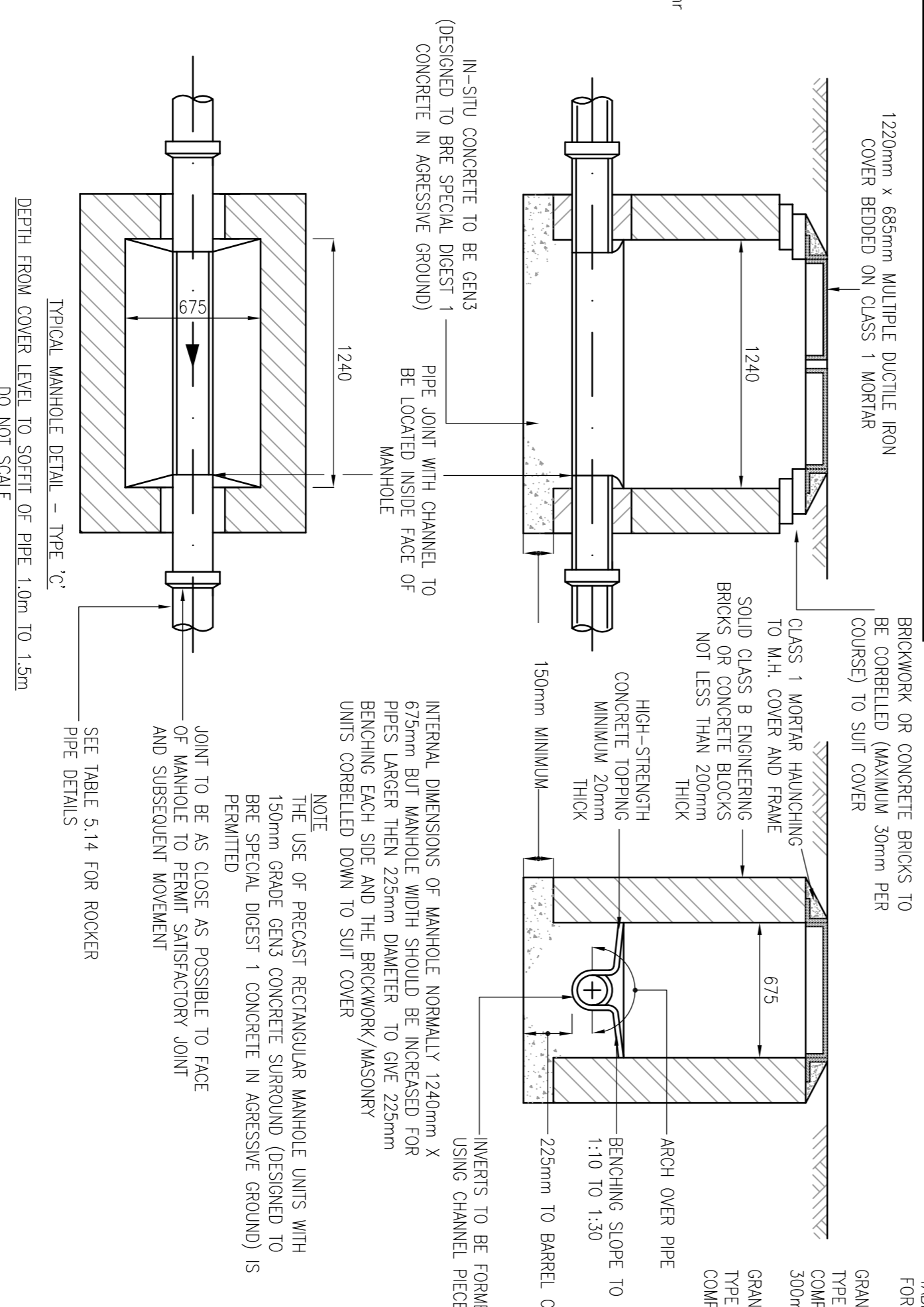
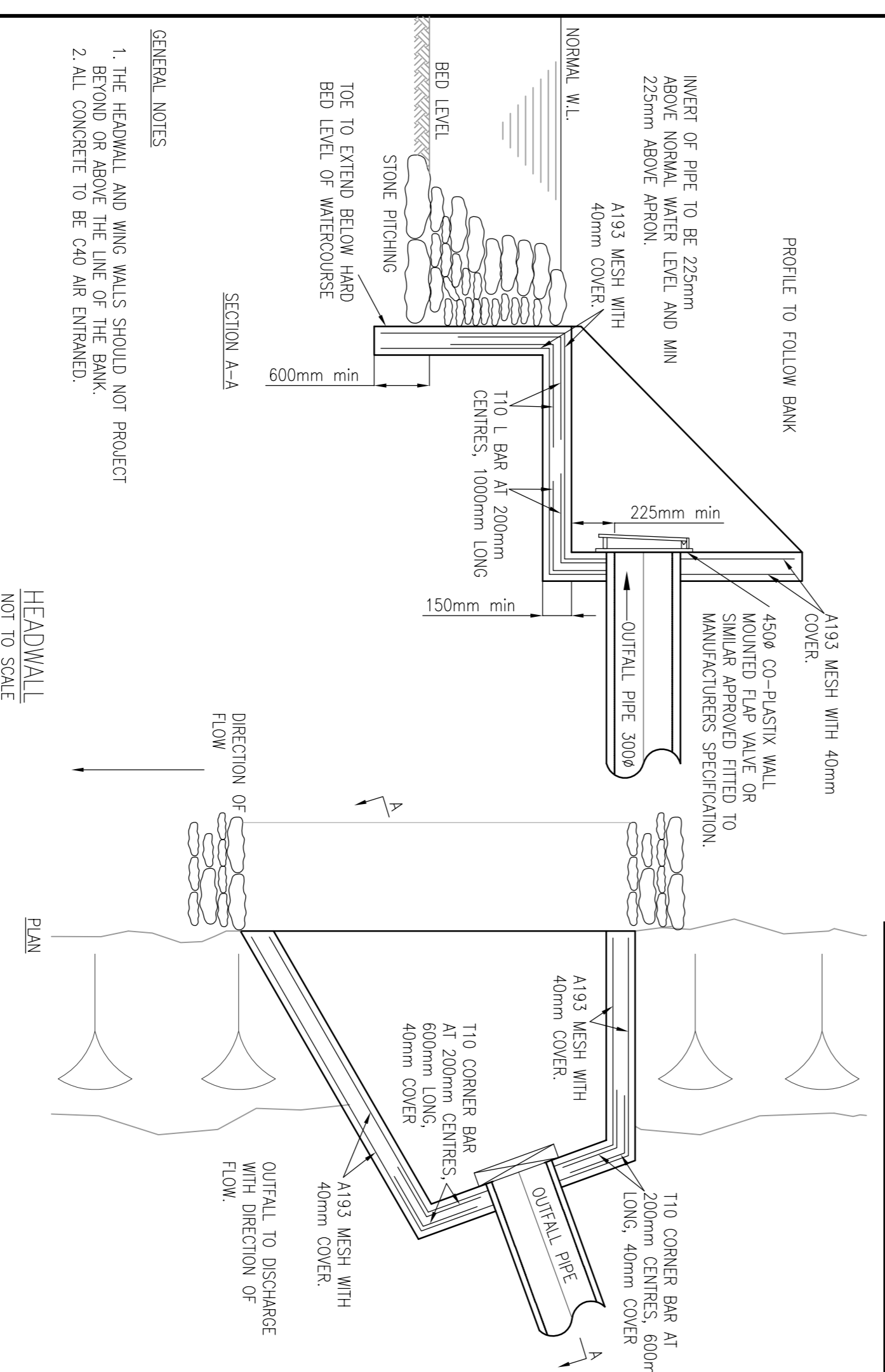
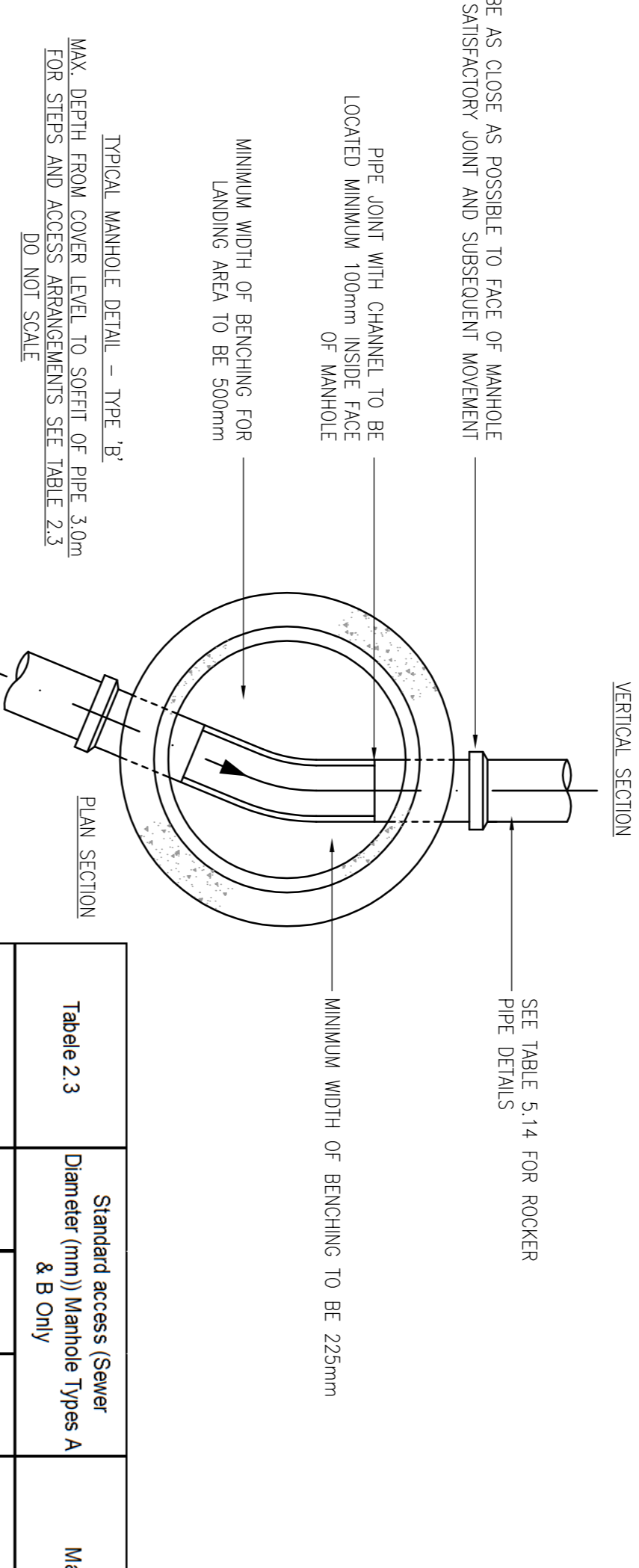
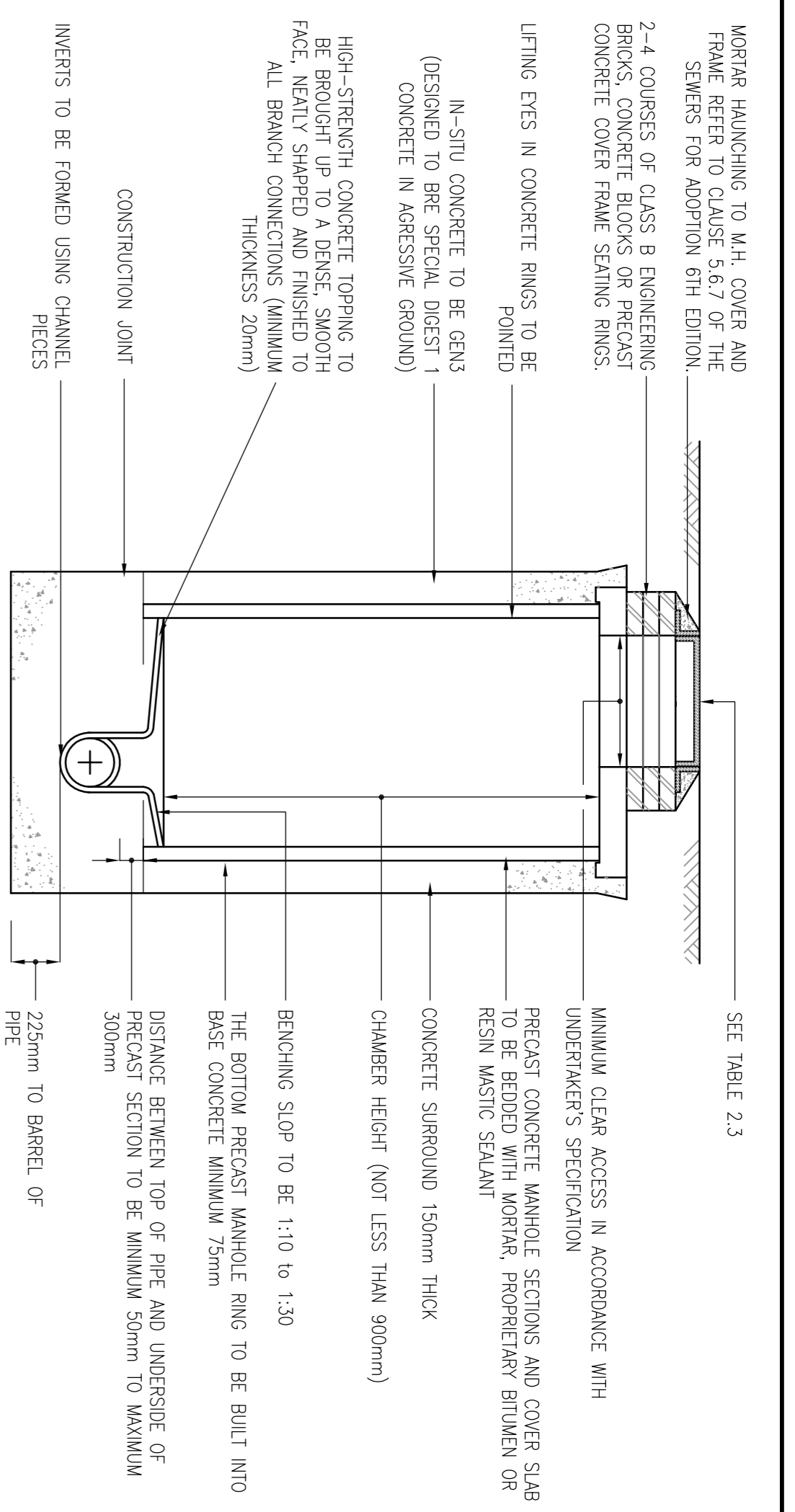
Scale of A1:1
N/S For Comment

Drawn Date: 14/11/13
99538/7001



| Table 2.3 | Standard access (Sewer Diameter (mm)) Manhole Types A & B Only | Manhole Filing Requirements All Manhole Types | Non-Man Entry Chambers |
|---------------------|--|---|------------------------|
| Sewerage Undertaker | 150-874 | 1075 or Greater | Accepted |
| THAMES WATER | 600x600 | 675x675 | Accepted |
| | | Less than 3m | No |
| | | 900mm or Greater | No |
| | | Greater than 3m | No |

NOTE
1. THE CONTROL CHAMBER AND FLOW CONTROL DEVICE TO BE INSTALLED STRICTLY IN ACCORDANCE WITH THE MANUFACTURERS SPECIFICATION.
2. FOR HYDROBRAKE SIZE AND INCOMING/OUTGOING PIPES SIZES, REFER TO LAYOUT.



- Notes:
1. ALL APPLICABLE DRAINAGE WORKS TO COMPLY WITH SEMERS FOR ADOPTION 6TH EDITION AND ANY ADDITIONAL THAMES WATER REQUIREMENTS.
 2. ANY DISCREPANCIES TO BE REPORTED TO THE ENGINEER BEFORE PROCEEDING.
 3. ALL MANHOLE COVERS TO BE CLASS D400 TO BS EN 124.

| Rev | Date | Description | Drawn | Checked | Approved |
|-----|------|-------------|-------|---------|----------|
| | | | | | |