

Do not scale from this drawing.

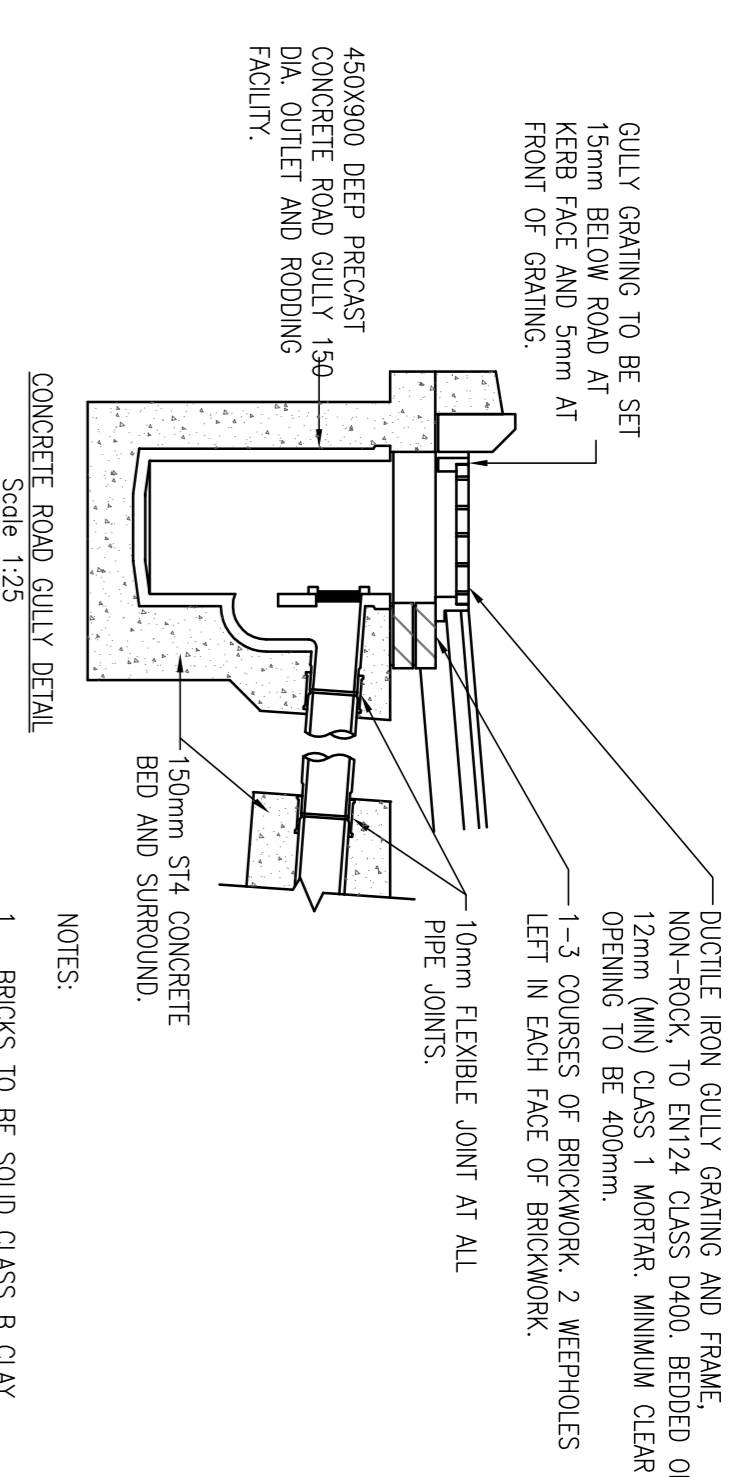
SAFETY HEALTH AND ENVIRONMENTAL INFORMATION

IN ADDITION TO THE HAZARD/RISKS NORMALLY ASSOCIATED WITH THE TYPES AND INFORMATION, THE FOLLOWING RISKS LISTED HERE ARE NOT EXHAUSTIVE. REFER TO DESIGN ASSESSMENT FORM NO.

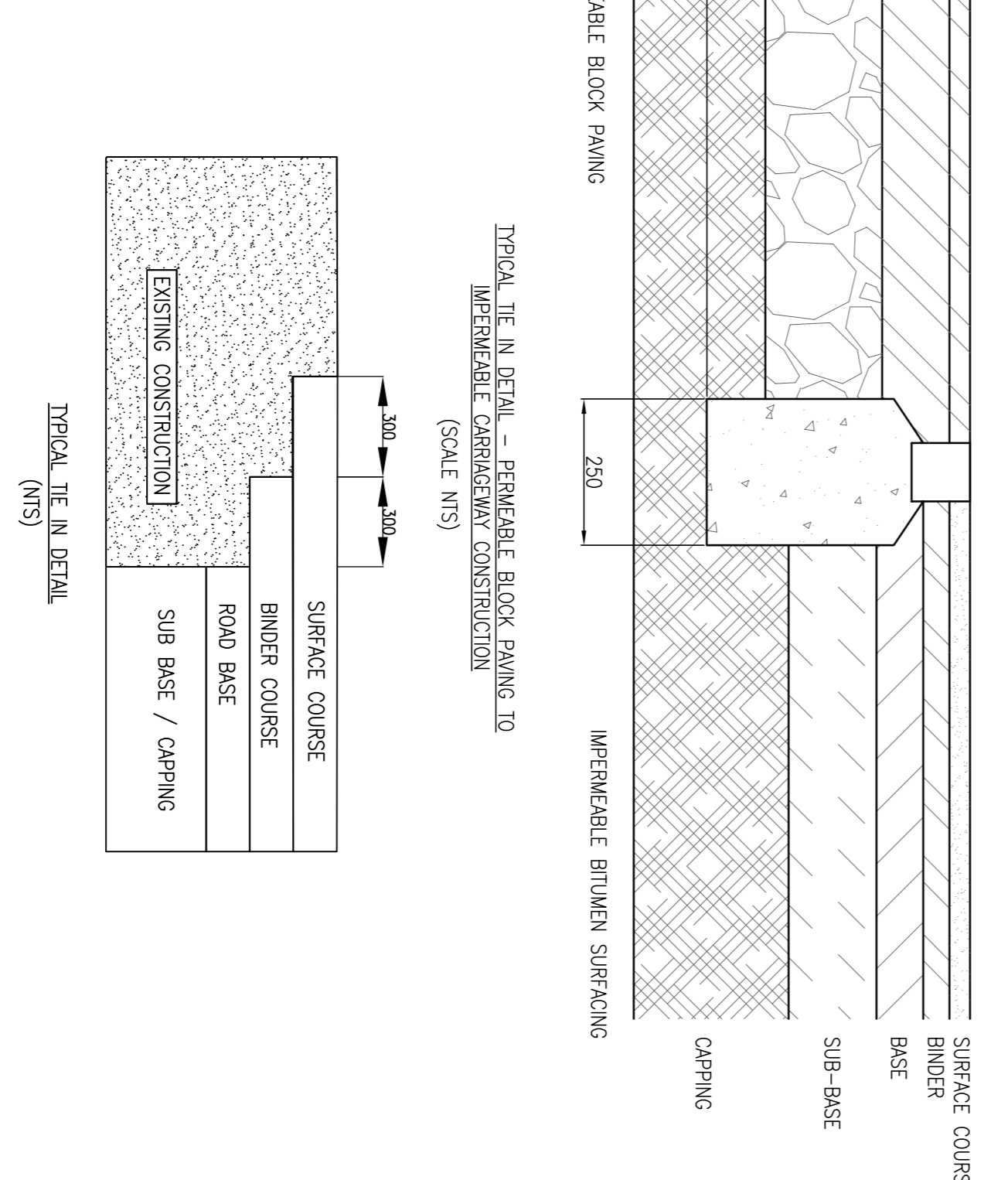
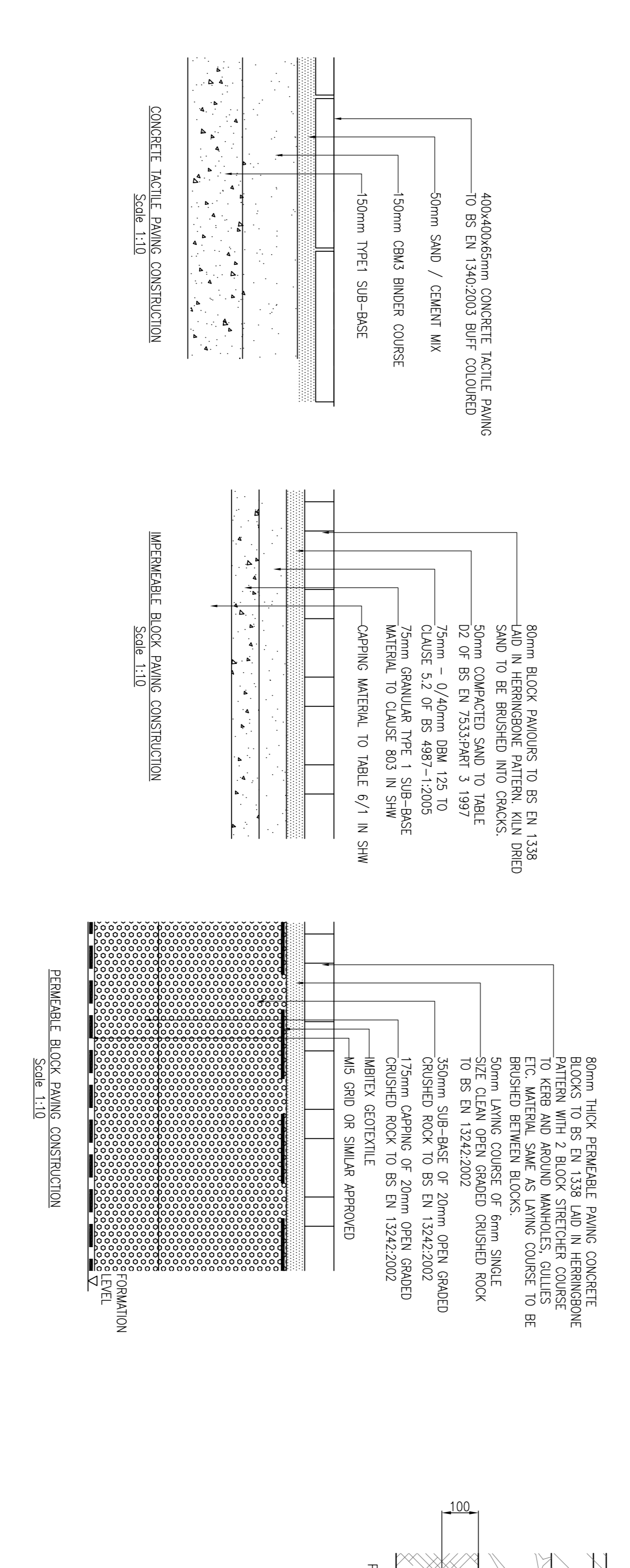
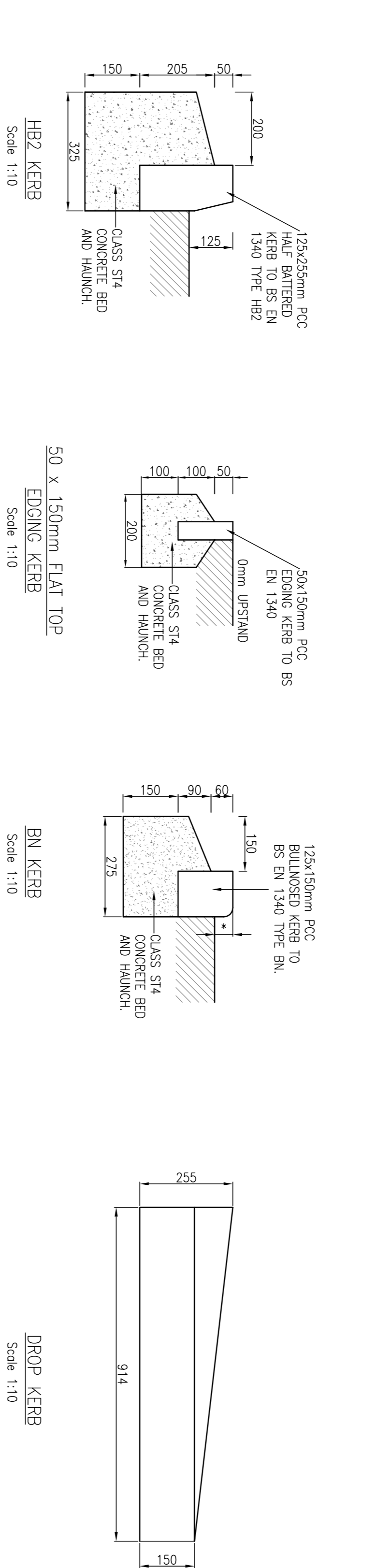
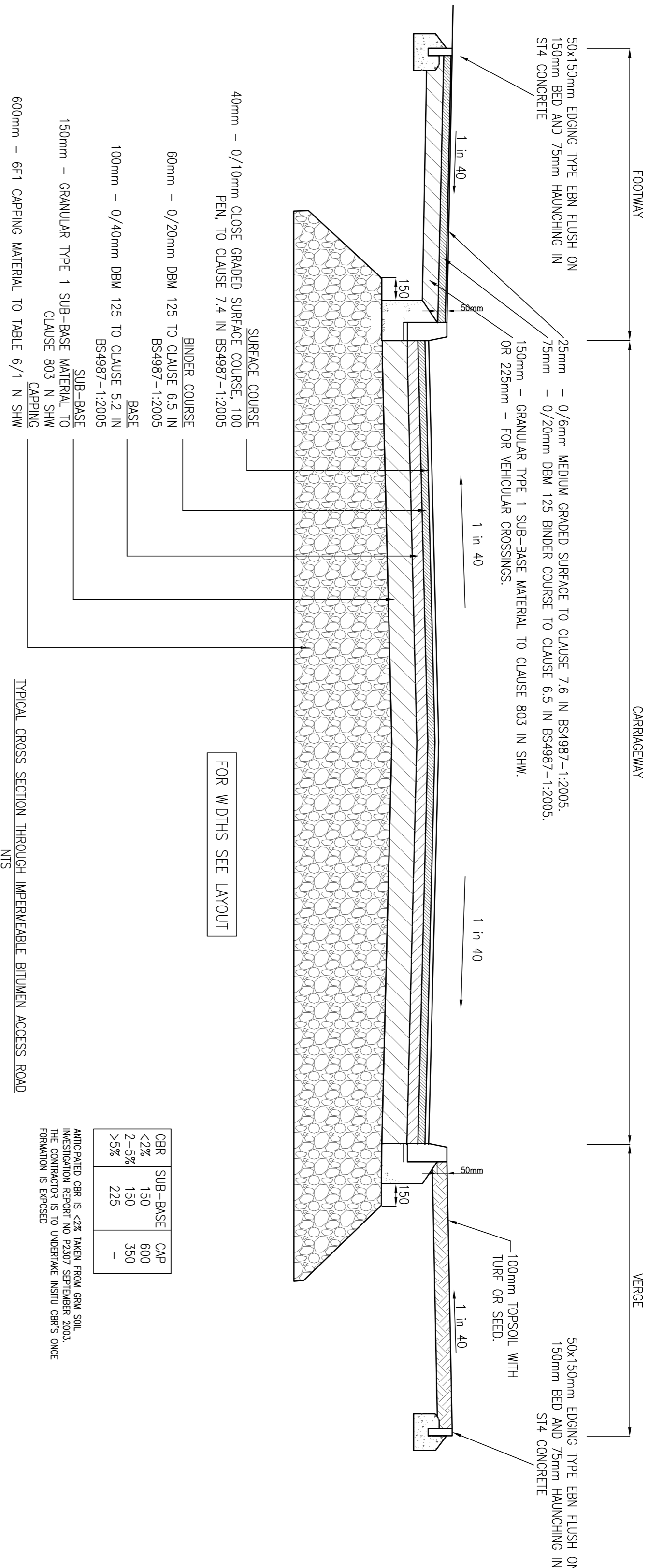
CONSTRUCTION
NONE A COMPETENT CONTRACTOR WOULD NOT BE AWARE OF.

DEMOLITION
NONE.

FOR INFORMATION RELATING TO USE, CLEANING AND MAINTENANCE SEE THE HEALTH AND SAFETY FILE
IT IS ASSUMED THAT ALL WORKS WILL BE CARRIED OUT BY A COMPETENT CONTRACTOR WORKING WHERE APPROPRIATE, TO AN APPROVED METHOD STATEMENT.



- NOTES:
- BRICKS TO BE SOLID CLASS B CLAY ENGINEERING BRICKS TO BS3921 LAD BOND WITH CLASS 1 MORTAR IN ENGLISH BOND.
 - PRECAST GULLY POTS MAY EITHER BE CONCRETE TO BS 5911 OR WIREFIED CLAY TO BS65.
 - THE FIRST METRE OF EACH GULLY CONNECTION ADJACENT TO THE OUTLET SHALL BE SURROUNDED WITH 150mm MINIMUM THICKNESS OF ST4 CONCRETE.



SUBJECT TO TECHNICAL APPROVAL

Rev	Date	Description	Drawn	Checked	Approved
P1	14/11/13	ISSUED FOR COMMENT	DJL	WH	

- NOTES:
- ALL KERBS TO COMPLY WITH BS EN 1340:2003.
 - ALL WORKS TO BE IN ACCORDANCE WITH OXFORDSHIRE COUNTY COUNCIL DESIGN GUIDES.
 - GBR ASSUMED TO BE LESS THAN 2%. THIS IS TO BE CONFIRMED ON SITE PRIOR TO COMMENCING AND THE CAPPING LAYER THICKNESS ADJUSTED TO SUIT.
 - SURFACING ABOVE SERVICE MARGIN TO BE IMPERMEABLE.

Project Title: **COTEFIELD FARM BODICOTE**

Contractor: **BANNER HOMES**

Drawing Title: **ADOPTABLE HIGHWAY CONSTRUCTION DETAILS SHEET 1**

Scale at A1: 1:10

Author: AS SHUINI

Check: For Comment

Approved: [Signature]

Date: 14/11/13

Drawing No: 99538/7002

Revision: -

FAIRHURST
45-51 Weymouth Road, Brixton, London SW9 8PL
Tel: 0121 213 4892 Fax: 0944 381 4472