



Donaldson  
FILTRATION SOLUTIONS

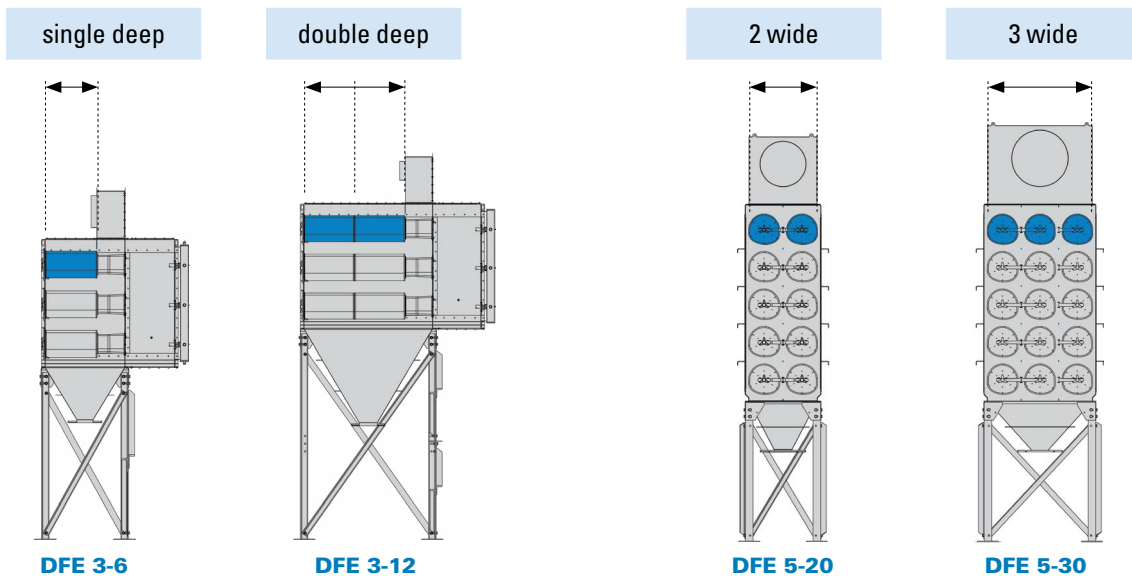
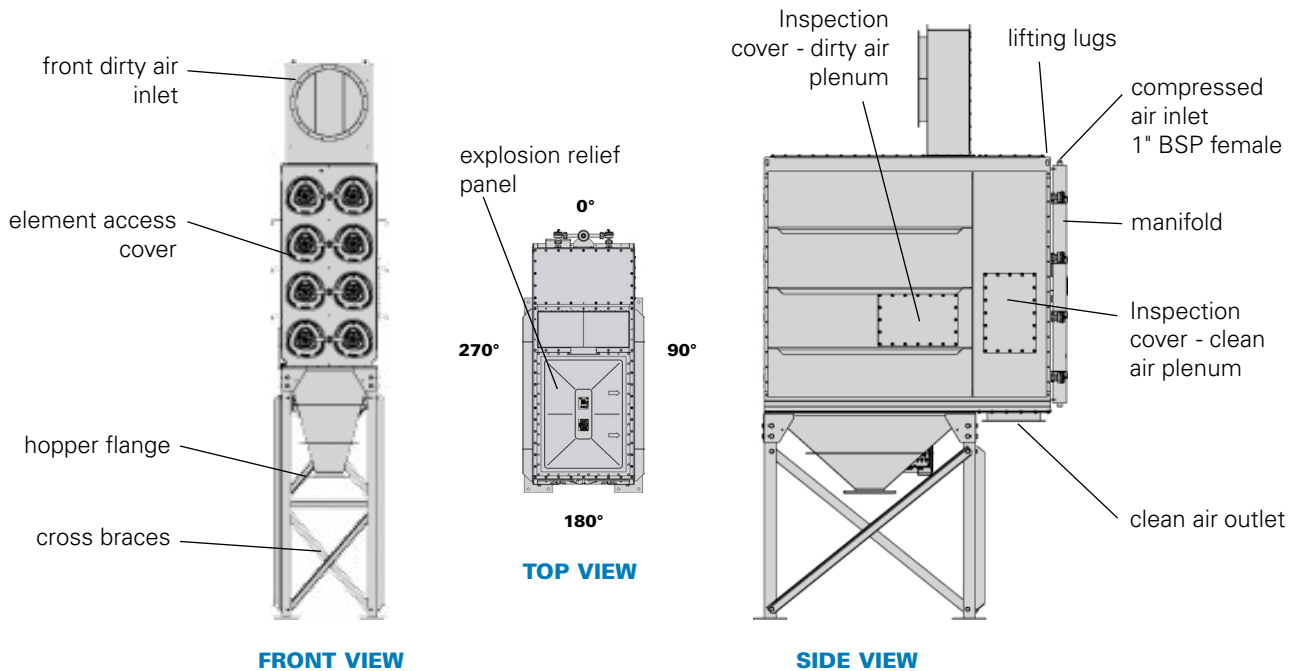
## TECHNICAL DATASHEET

### Downflo® Evolution Dust Collectors



## DESIGN SPECIFICATIONS

The DFE dust collector is a highly configurable product. This datasheet covers the main properties and options. However, for an outline drawing that represents your exact configuration, always contact your Donaldson representative.



### DESIGN LIMITS

**Operating temperature:** -10° to +60°C

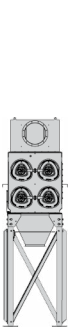
**Maximum operating pressure:** -6.2 kPa\*

**Reinforced unit maximum allowed P<sub>red</sub>:** 40 kPa (0.4 barg)

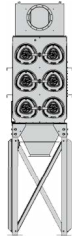
**Wind load rating:** 145 km/h

\*for use in positive pressure contact engineering

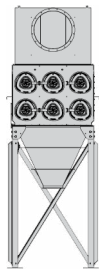
## MODEL OVERVIEW



**2-4**  
**2-8**



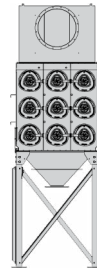
**3-6**  
**3-12**



**2-12**



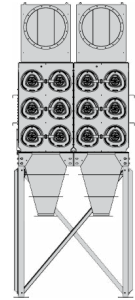
**4-16**



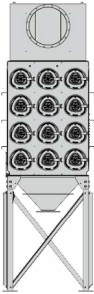
**3-18**



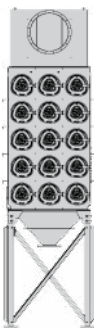
**5-20**



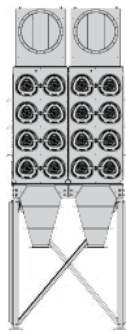
**3-24**



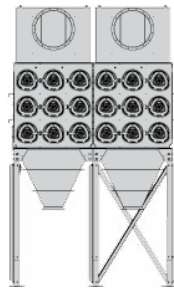
**4-24**



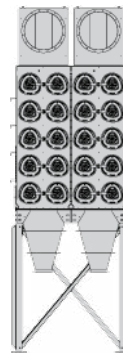
**5-30**



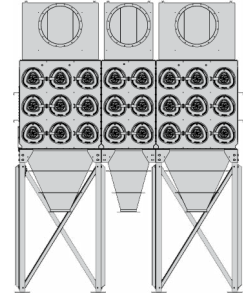
**4-32**



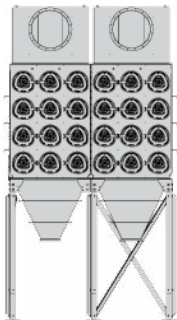
**3-36**



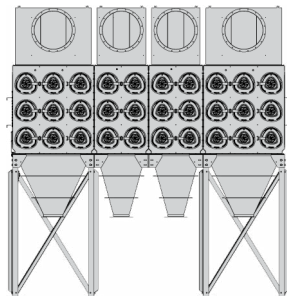
**5-40**



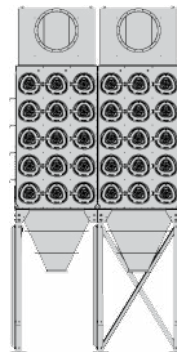
**3-48**



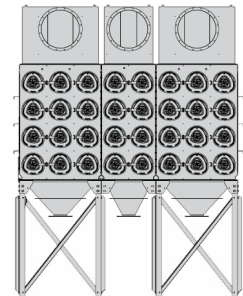
**4-48**



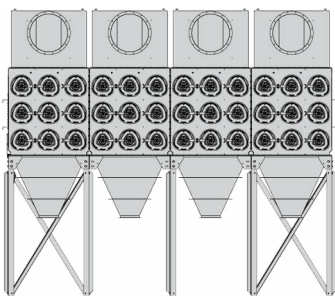
**3-60**



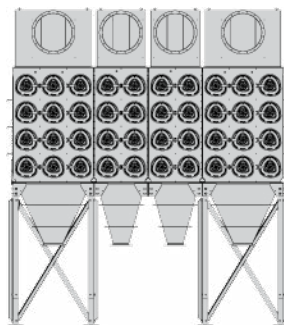
**5-60**



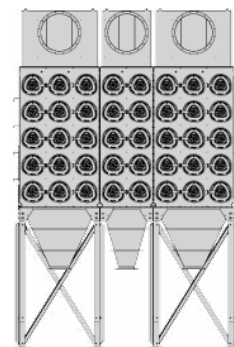
**4-64**



**3-72**

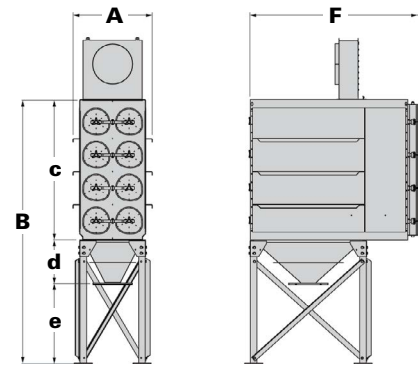
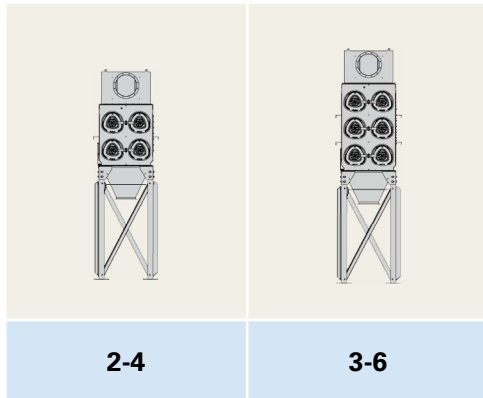


**4-80**



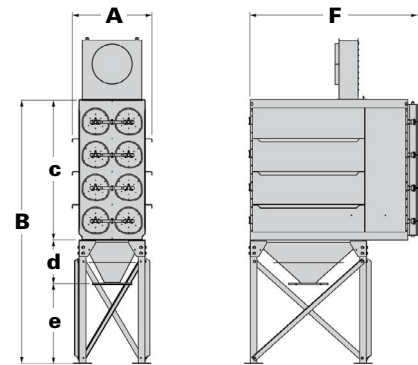
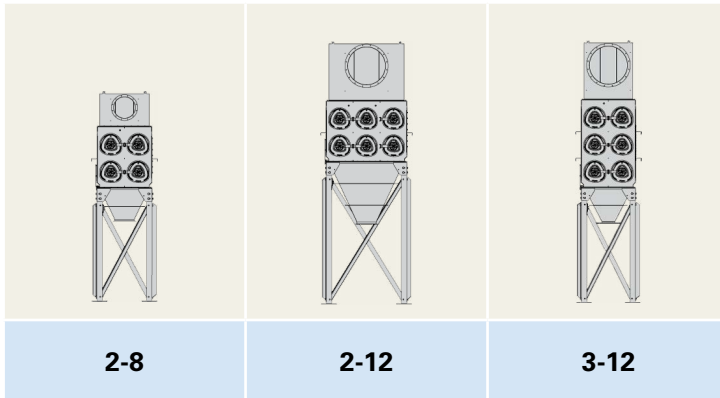
**5-80**

## DIMENSIONS & SPECIFICATIONS



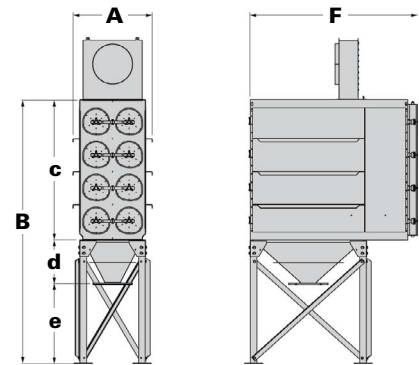
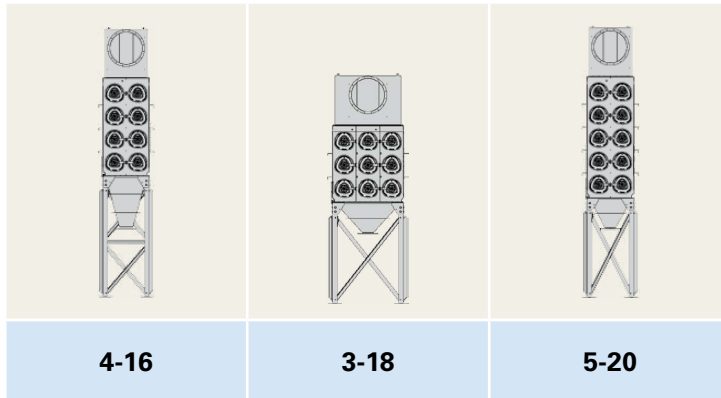
Model	Width modules	No. of cartridges	No. of valves	Single/Double	Dust disposal system	Dimensions (mm)					
						A	B	c	d	e	F
<b>2-4</b>	2	4	4	single deep	200 L drum	1225	3266	1143	623	1500	1894
					80 L drum	1225	2831	1143	623	1065	1894
					hook-on dustbin	1225	2166	1143	623	400	1894
					quick release	1225	2166	1143	623	400	1894
					rotary airlock	1225	3266	1143	623	1500	1894
<b>3-6</b>	2	6	6	single deep	200 L drum	1225	3774	1651	623	1500	1894
					80 L drum	1225	3339	1651	623	1065	1894
					hook-on dustbin	1225	2674	1651	623	400	1894
					quick release	1225	2674	1651	623	400	1894
					rotary airlock	1225	3774	1651	623	1500	1894

## DIMENSIONS & SPECIFICATIONS



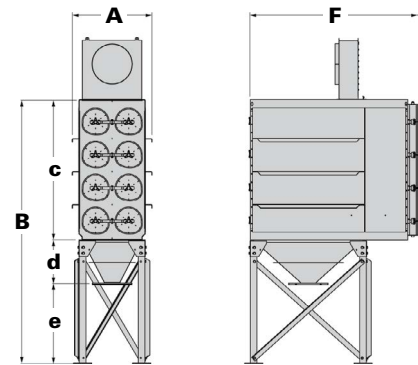
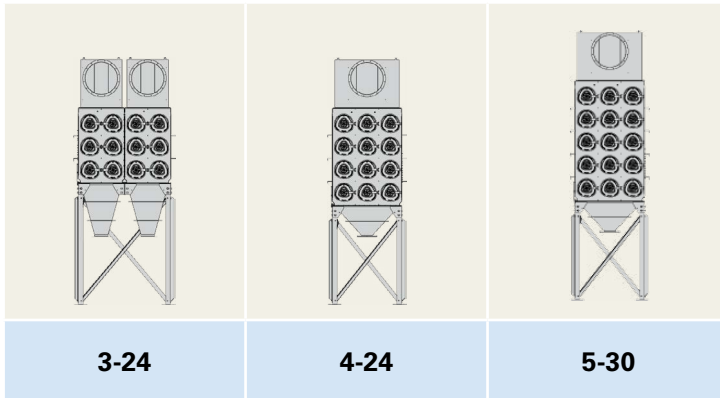
Model	Width modules	No. of cartridges	No. of valves	Single/ Double	Dust disposal system	Dimensions (mm)					
						A	B	c	d	e	F
2-8	2	8	4	double deep	200 L drum	1225	3816	1143	1173	1500	2567
					80 L drum	1225	3381	1143	1173	1065	2567
					hook-on dustbin	1225	2716	1143	1173	400	2567
					quick release	1225	2716	1143	1173	400	2567
					rotary airlock	1225	3816	1143	1173	1500	2567
2-12	3	12	6	double deep	200 L drum	1727	3816	1143	1173	1500	2567
					80 L drum	1727	3381	1143	1173	1065	2567
					hook-on dustbin	1727	2716	1143	1173	400	2567
					quick release	1727	2716	1143	1173	400	2567
					rotary airlock	1727	3816	1143	1173	1500	2567
3-12	2	12	6	double deep	200 L drum	1225	4324	1651	1173	1500	2567
					80 L drum	1225	3889	1651	1173	1065	2567
					hook-on dustbin	1225	3224	1651	1173	400	2567
					quick release	1225	3224	1651	1173	400	2567
					rotary airlock	1225	4324	1651	1173	1500	2567

## DIMENSIONS & SPECIFICATIONS



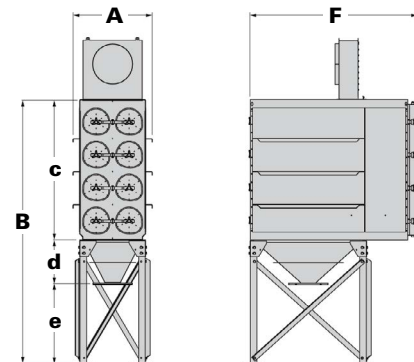
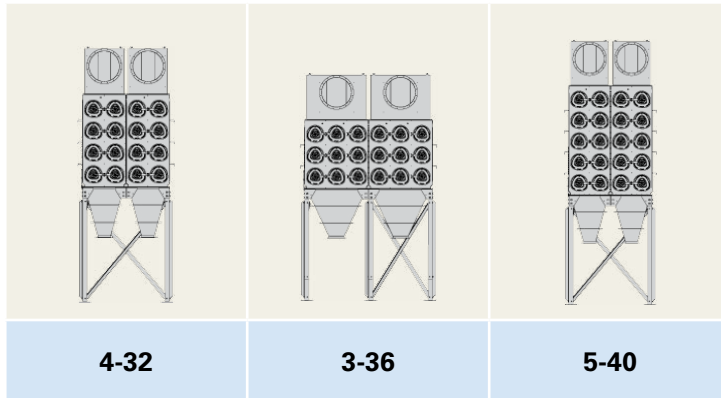
Model	Width modules	No. of cartridges	No. of valves	Single/ Double	Dust disposal system	Dimensions (mm)					
						A	B	c	d	e	F
<b>4-16</b>	2	16	8	double deep	200 L drum	1225	4832	2159	1173	1500	2567
					80 L drum	1225	4397	2159	1173	1065	2567
					hook-on dustbin	1225	3732	2159	1173	400	2567
					quick release	1225	3732	2159	1173	400	2567
					rotary airlock	1225	4832	2159	1173	1500	2567
<b>3-18</b>	3	18	9	double deep	200 L drum	1727	4324	1651	1173	1500	2567
					80 L drum	1727	3889	1651	1173	1065	2567
					hook-on dustbin	1727	3224	1651	1173	400	2567
					quick release	1727	3224	1651	1173	400	2567
					rotary airlock	1727	4324	1651	1173	1500	2567
<b>5-20</b>	2	20	10	double deep	200 L drum	1225	5348	2675	1173	1500	2567
					80 L drum	1225	4913	2675	1173	1065	2567
					hook-on dustbin	1225	4248	2675	1173	400	2567
					quick release	1225	4248	2675	1173	400	2567
					rotary airlock	1225	5348	2675	1173	1500	2567

## DIMENSIONS & SPECIFICATIONS



Model	Width modules	No. of cartridges	No. of valves	Single/ Double	Dust disposal system	Dimensions (mm)					
						A	B	c	d	e	F
<b>3-24</b>	2 + 2	24	12	double deep	200 L drum	2241	4324	1651	1173	1500	2567
					80 L drum	2241	3889	1651	1173	1065	2567
					hook-on dustbin	2241	3224	1651	1173	400	2567
					quick release	2241	3224	1651	1173	400	2567
					rotary airlock	2241	4324	1651	1173	1500	2567
<b>4-24</b>	3	24	12	double deep	200 L drum	1727	4832	2159	1173	1500	2567
					80 L drum	1727	4397	2159	1173	1065	2567
					hook-on dustbin	1727	3732	2159	1173	400	2567
					quick release	1727	3732	2159	1173	400	2567
					rotary airlock	1727	4832	2159	1173	1500	2567
<b>5-30</b>	3	30	15	double deep	200 L drum	1727	5348	2675	1173	1500	2567
					80 L drum	1727	4913	2675	1173	1065	2567
					hook-on dustbin	1727	4248	2675	1173	400	2567
					quick release	1727	4248	2675	1173	400	2567
					rotary airlock	1727	5348	2675	1173	1500	2567

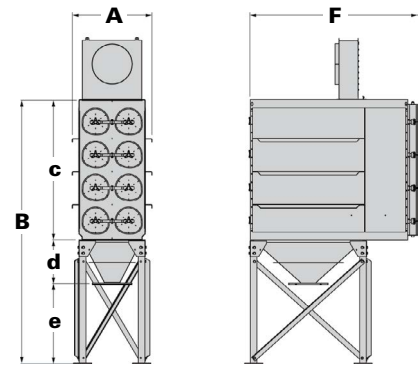
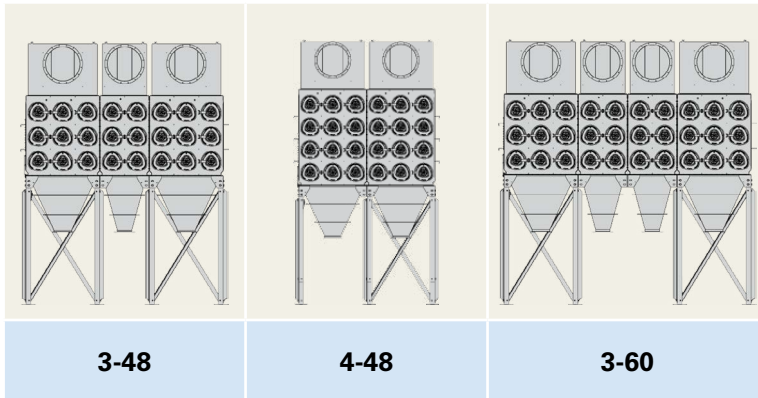
## DIMENSIONS & SPECIFICATIONS



Model	Width modules	No. of cartridges	No. of valves	Single/Double	Dust disposal system	Dimensions (mm)					
						A	B	c	d	e	F
<b>4-32</b>	2 + 2	32	16	double deep	200 L drum	2241	4832	2159	1173	1500	2567
					80 L drum	2241	4397	2159	1173	1065	2567
					hook-on dustbin	2241	3732	2159	1173	400	2567
					quick release	2241	3732	2159	1173	400	2567
					rotary airlock	2241	4832	2159	1173	1500	2567
<b>3-36</b>	3 + 3	36	18	double deep	200 L drum	3257	4324	1651	1173	1500	2567
					80 L drum	3257	3889	1651	1173	1065	2567
					hook-on dustbin	3257	3224	1651	1173	400	2567
					quick release	3257	3224	1651	1173	400	2567
					rotary airlock	3257	4324	1651	1173	1500	2567
<b>5-40</b>	2 + 2	40	20	double deep	200 L drum	2241	5348	2675	1173	1500	2567
					80 L drum	2241	4913	2675	1173	1065	2567
					hook-on dustbin	2241	4248	2675	1173	400	2567
					quick release	2241	4248	2675	1173	400	2567
					rotary airlock	2241	5348	2675	1173	1500	2567

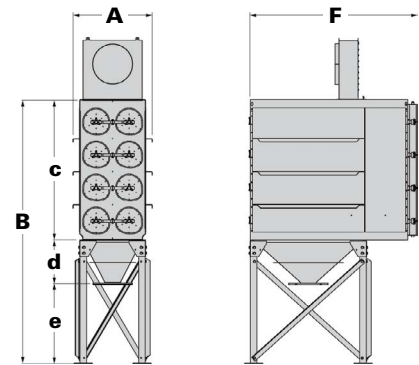
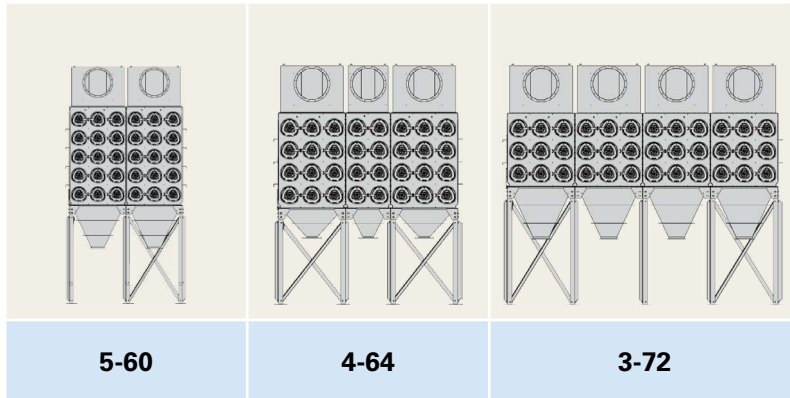


## DIMENSIONS & SPECIFICATIONS



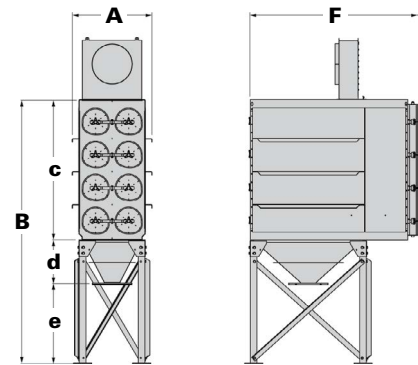
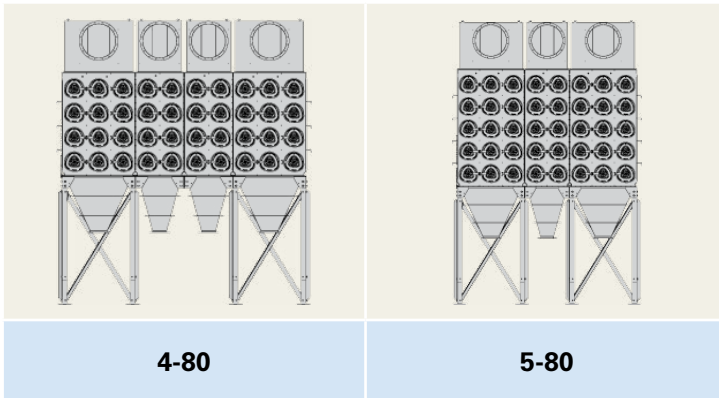
Model	Width modules	No. of cartridges	No. of valves	Single/Double	Dust disposal system	Dimensions (mm)					
						A	B	c	d	e	F
<b>3-48</b>	3 + 2 + 3	48	24	double deep	200 L drum	4273	4324	1651	1173	1500	2567
					80 L drum	4273	3889	1651	1173	1065	2567
					hook-on dustbin	4273	3224	1651	1173	400	2567
					quick release	4273	3224	1651	1173	400	2567
					rotary airlock	4273	4324	1651	1173	1500	2567
<b>4-48</b>	3 + 3	48	24	double deep	200 L drum	3257	4832	2159	1173	1500	2567
					80 L drum	3257	4397	2159	1173	1065	2567
					hook-on dustbin	3257	3732	2159	1173	400	2567
					quick release	3257	3732	2159	1173	400	2567
					rotary airlock	3257	4832	2159	1173	1500	2567
<b>3-60</b>	3 + 2 + 2 + 3	60	30	double deep	200 L drum	5289	4324	1651	1173	1500	2567
					80 L drum	5289	3889	1651	1173	1065	2567
					hook-on dustbin	5289	3224	1651	1173	400	2567
					quick release	5289	3224	1651	1173	400	2567
					rotary airlock	5289	4324	1651	1173	1500	2567

## DIMENSIONS & SPECIFICATIONS



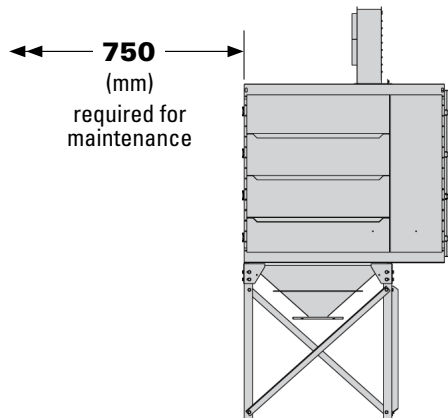
Model	Width modules	No. of cartridges	No. of valves	Single/Double	Dust disposal system	Dimensions (mm)					
						A	B	c	d	e	F
<b>5-60</b>	3 + 3	60	30	double deep	200 L drum	3257	5348	2675	1173	1500	2567
					80 L drum	3257	4913	2675	1173	1065	2567
					hook-on dustbin	3257	4248	2675	1173	400	2567
					quick release	3257	4248	2675	1173	400	2567
					rotary airlock	3257	5348	2675	1173	1500	2567
<b>4-64</b>	3 + 2 + 3	64	32	double deep	200 L drum	4273	4832	2159	1173	1500	2567
					80 L drum	4273	4397	2159	1173	1065	2567
					hook-on dustbin	4273	3732	2159	1173	400	2567
					quick release	4273	3732	2159	1173	400	2567
					rotary airlock	4273	4832	2159	1173	1500	2567
<b>3-72</b>	3 + 3 + 3 + 3	72	36	double deep	200 L drum	6305	4324	1651	1173	1500	2567
					80 L drum	6305	3889	1651	1173	1065	2567
					hook-on dustbin	6305	3224	1651	1173	400	2567
					quick release	6305	3224	1651	1173	400	2567
					rotary airlock	6305	4324	1651	1173	1500	2567

## DIMENSIONS & SPECIFICATIONS



Model	Width modules	No. of cartridges	No. of valves	Single/Double	Dust disposal system	Dimensions (mm)					
						A	B	c	d	e	F
<b>4-80</b>	3 + 2 + 2 + 3	80	40	double deep	200 L drum	5289	4832	2159	1173	1500	2567
					80 L drum	5289	4397	2159	1173	1065	2567
					hook-on dustbin	5289	3732	2159	1173	400	2567
					quick release	5289	3732	2159	1173	400	2567
					rotary airlock	5289	4832	2159	1173	1500	2567
<b>5-80</b>	3 + 2 + 3	80	40	double deep	200 L drum	4273	5348	2675	1173	1500	2567
					80 L drum	4273	4913	2675	1173	1065	2567
					hook-on dustbin	4273	4248	2675	1173	400	2567
					quick release	4273	4248	2675	1173	400	2567
					rotary airlock	4273	5348	2675	1173	1500	2567

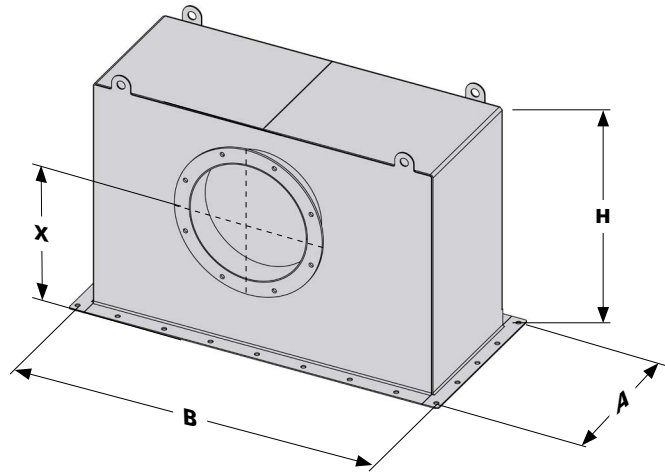
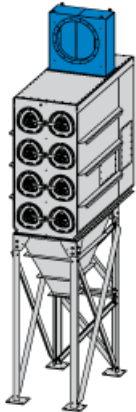
## DIMENSIONS & SPECIFICATIONS



Model	No. of cartridges	Ultra-Web filter area (m <sup>2</sup> )	Approx. shipping weight (kg)
<b>2-4</b>	4	95	857
<b>3-6</b>	6	142	1043
<b>2-8</b>	8	189	1043
<b>2-12</b>	12	284	1316
<b>3-12</b>	12	284	1043
<b>4-16</b>	16	378	1497
<b>3-18</b>	18	425	1588
<b>5-20</b>	20	472	1746
<b>3-24</b>	24	567	2041
<b>4-24</b>	24	567	1855
<b>5-30</b>	30	708	2177
<b>4-32</b>	32	756	2359
<b>3-36</b>	36	850	2585
<b>5-40</b>	40	944	2812
<b>3-48</b>	48	1133	3179
<b>4-48</b>	48	1133	3039
<b>3-60</b>	60	1416	4490
<b>5-60</b>	60	1416	3493
<b>4-64</b>	64	1511	4309
<b>3-72</b>	72	1700	5262
<b>4-80</b>	80	1888	5216
<b>5-80</b>	80	1888	4990

Media	Filter area per cartridge (m <sup>2</sup> )
Ultra-Web	23.6

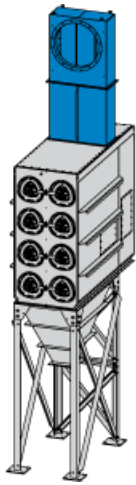
## DIRTY AIR PLENUM - STANDARD INLET



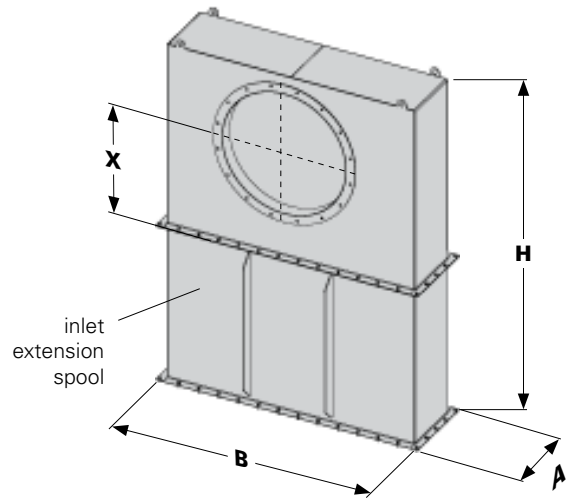
Flange	Configuration	Dimensions (mm)			
		A	B	X	H
<b>NW160 *</b>	2 wide	419	965	202	343
	3 wide	419	1473	202	343
<b>NW200 *</b>	2 wide	419	965	182	343
	3 wide	419	1473	182	343
<b>NW250</b>	2 wide	419	965	423	610
	3 wide	419	1473	423	610
<b>NW280</b>	2 wide	419	965	408	610
	3 wide	419	1473	408	610
<b>NW315</b>	2 wide	419	965	391	610
	3 wide	419	1473	391	610
<b>NW355</b>	2 wide	419	965	371	610
	3 wide	419	1473	371	610
<b>NW400</b>	2 wide	419	965	348	610
	3 wide	419	1473	348	610
<b>NW450 **</b>	2 wide	419	965	628	915
	3 wide	419	1473	628	915
<b>NW500 **</b>	2 wide	419	965	603	915
	3 wide	419	1473	603	915
<b>NW560 **</b>	2 wide	419	965	573	915
	3 wide	419	1473	573	915
<b>NW630 **</b>	2 wide	419	965	538	915
	3 wide	419	1473	538	915
<b>NW710 **</b>	2 wide	419	965	650	1067
	3 wide	419	1473	65	1067

\* only for single deep units  
 \*\* only on double deep units

## DIRTY AIR PLENUM - INLET EXTENSION SPOOL



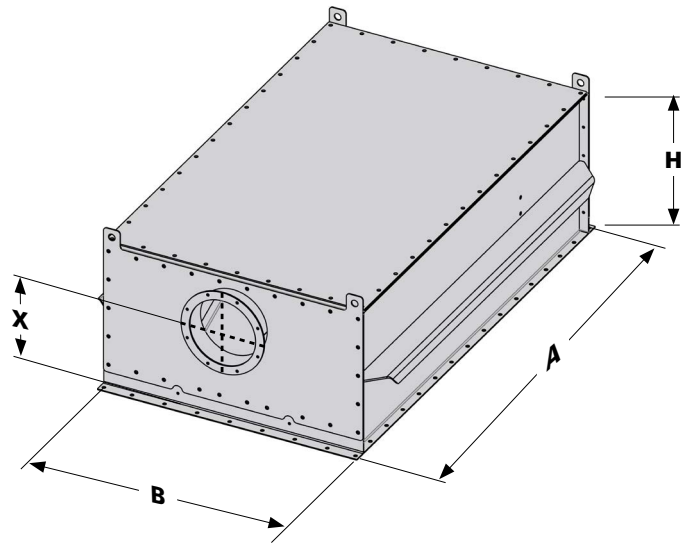
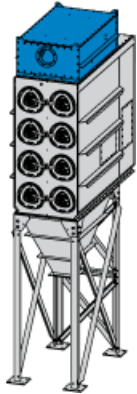
An inlet extension spool is required for top vented units with air inlet in front.



Flange	Configuration	Dimensions (mm)			
		A	B	X	H
<b>NW160 *</b>	2 wide	419	965	201.5	1258
	3 wide	419	1473	201.5	1258
<b>NW200 *</b>	2 wide	419	965	181.5	1258
	3 wide	419	1473	181.5	1258
<b>NW250</b>	2 wide	419	965	423	1525
	3 wide	419	1473	423	1525
<b>NW280</b>	2 wide	419	965	408	1525
	3 wide	419	1473	408	1525
<b>NW315</b>	2 wide	419	965	391	1525
	3 wide	419	1473	391	1525
<b>NW355</b>	2 wide	419	965	371	1525
	3 wide	419	1473	371	1525
<b>NW400</b>	2 wide	419	965	348	1525
	3 wide	419	1473	348	1525
<b>NW450 **</b>	2 wide	419	965	628	1830
	3 wide	419	1473	628	1830
<b>NW500 **</b>	2 wide	419	965	603	1830
	3 wide	419	1473	603	1830
<b>NW560 **</b>	2 wide	419	965	573	1830
	3 wide	419	1473	573	1830
<b>NW630 **</b>	2 wide	419	965	538	1830
	3 wide	419	1473	538	1830
<b>NW710 **</b>	2 wide	419	965	650	1982
	3 wide	419	1473	560	1982

\* only for single deep units  
 \*\* only on double deep units

## DIRTY AIR PLENUM - HIFLO INLET



Configuration	Dimensions (mm)	
	A	B
<b>2 wide - 1 deep</b>	1052	965
<b>2 wide - 2 deep</b>	1697	965
<b>3 wide - 2 deep</b>	1697	1473

Flange	Dimensions (mm)	
	H	X
<b>NW160 *</b>	393.7	260.5
<b>NW200 *</b>	393.7	240
<b>NW250</b>	563.8	381
<b>NW315</b>	563.8	340
<b>NW355</b>	563.8	330
<b>NW450 **</b>	767	450
<b>NW560 **</b>	767	407
<b>NW630 **</b>	767	407
<b>NW710 **</b>	970.2	530
<b>NW800 **</b>	970.2	503
<b>NW900 ***</b>	1224.2	719.4
<b>NW1000 ***</b>	1224.2	656

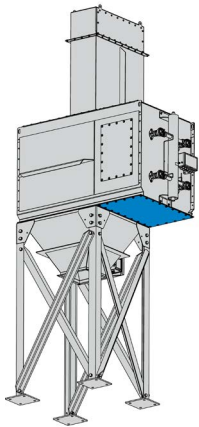
Hiflo inlet comes with 2 roof options:

- Normal
- Vented

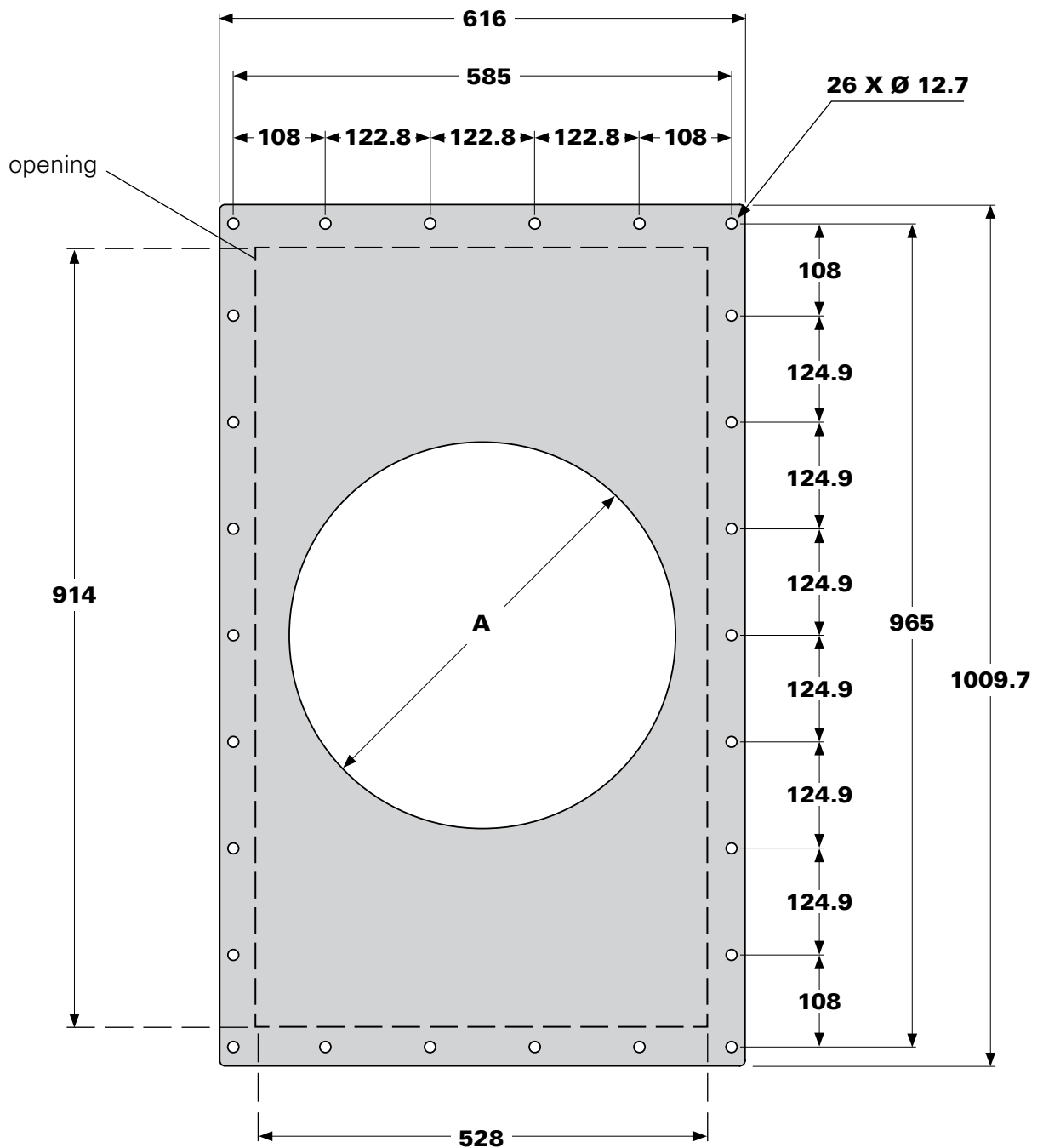
Not standard available on multi-modules

\* only on single deep units  
 \*\* only on double deep units  
 \*\*\* only on 3 wide units

## CLEAN AIR PLENUM - OUTLET - 2 WIDE

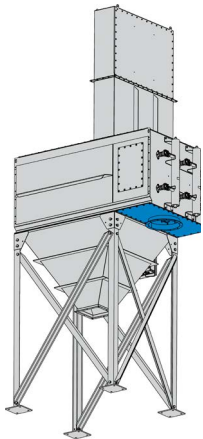


Optional outlet flanges	Dimensions (mm)
	A
NW355	358
NW400	404
NW450	454

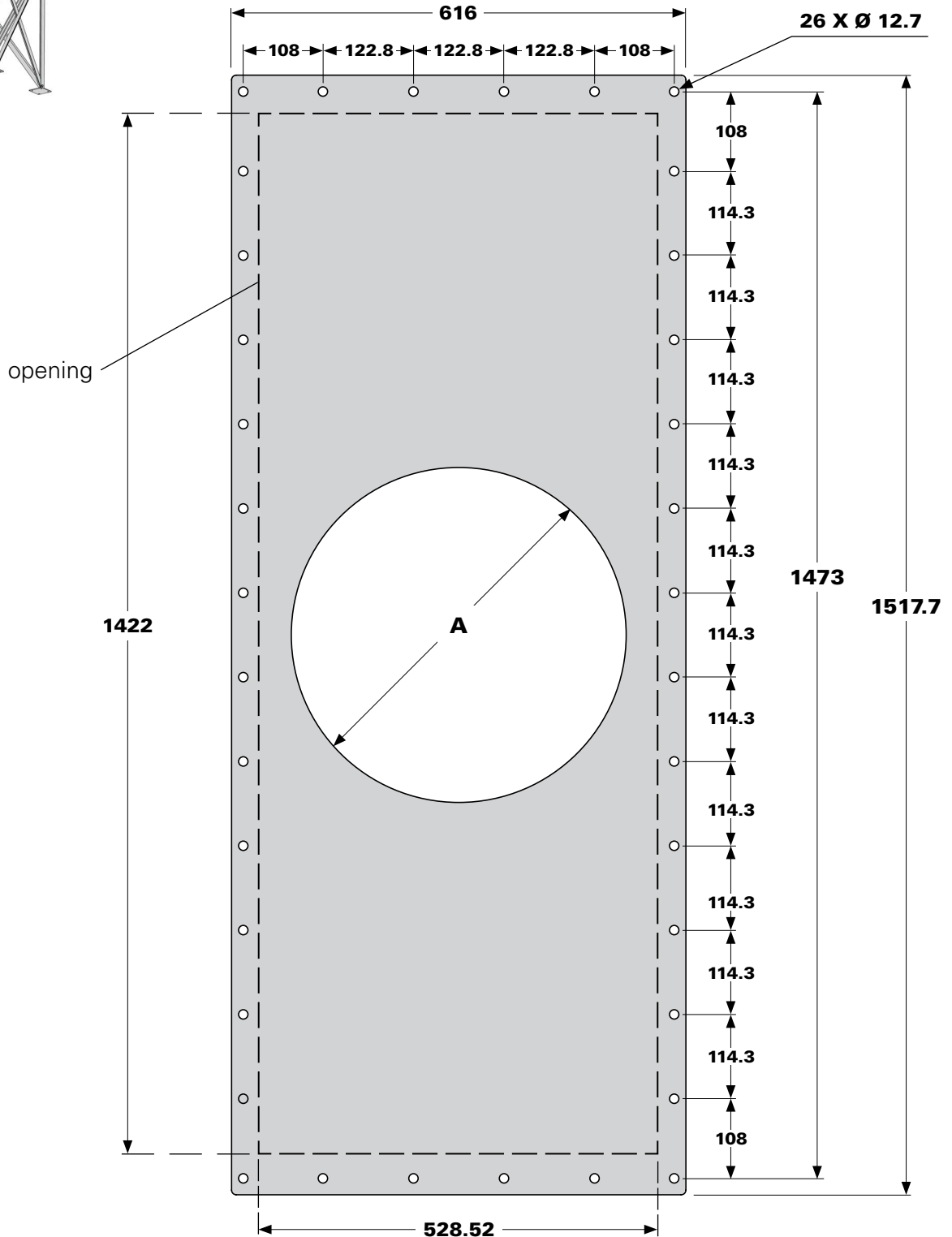




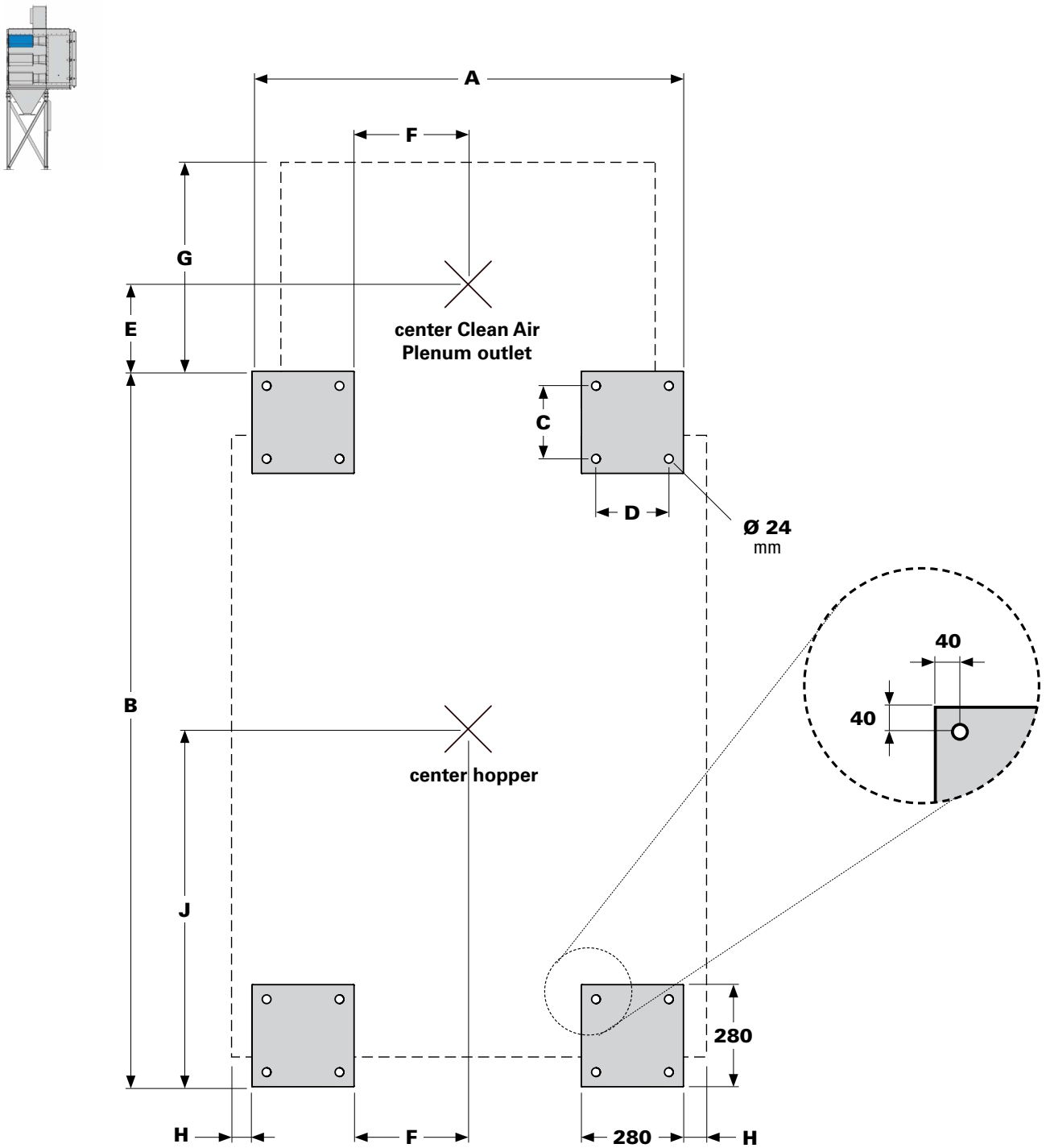
# CLEAN AIR PLENUM - OUTLET - 3 WIDE



Optional outlet flanges	Dimensions (mm)
	A
NW355	358
NW400	404
NW450	454

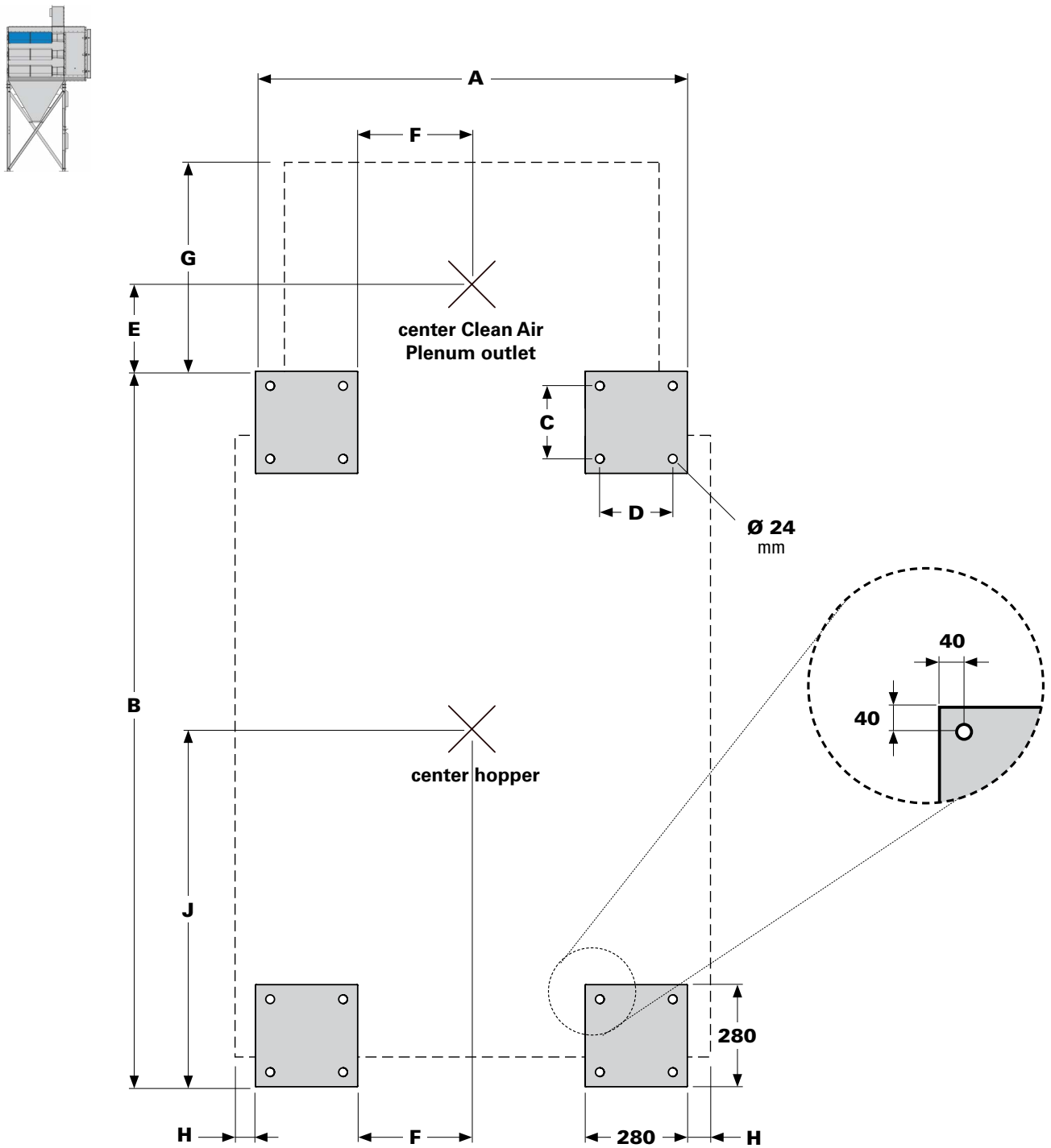


## FOUNDATION DETAILS FOR STANDARD MODELS - SINGLE DEEP



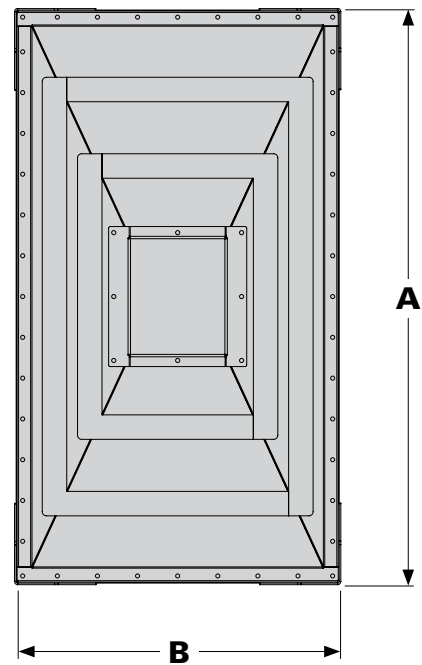
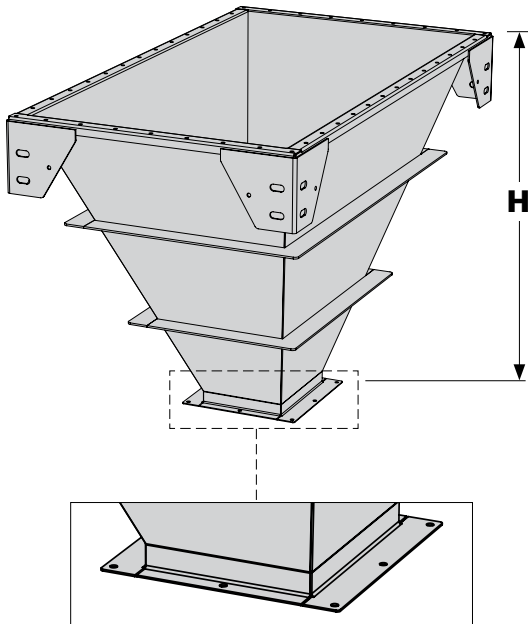
Configuration	Single deep dimensions (in mm)								
	A	B	C	D	E	F	G	H	J
2 wide	1184	1295	200	200	234	319	542	15	652

## FOUNDATION DETAILS FOR STANDARD MODELS - DOUBLE DEEP

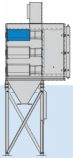


Configuration	Double deep dimensions (in mm)								
	A	B	C	D	E	F	G	H	J
2 wide	1184	1962	200	200	237	312	545	15	981
3 wide	1691	1962	200	200	237	566	545	21	981

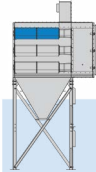
# HOPPER



**BOTTOM VIEW**

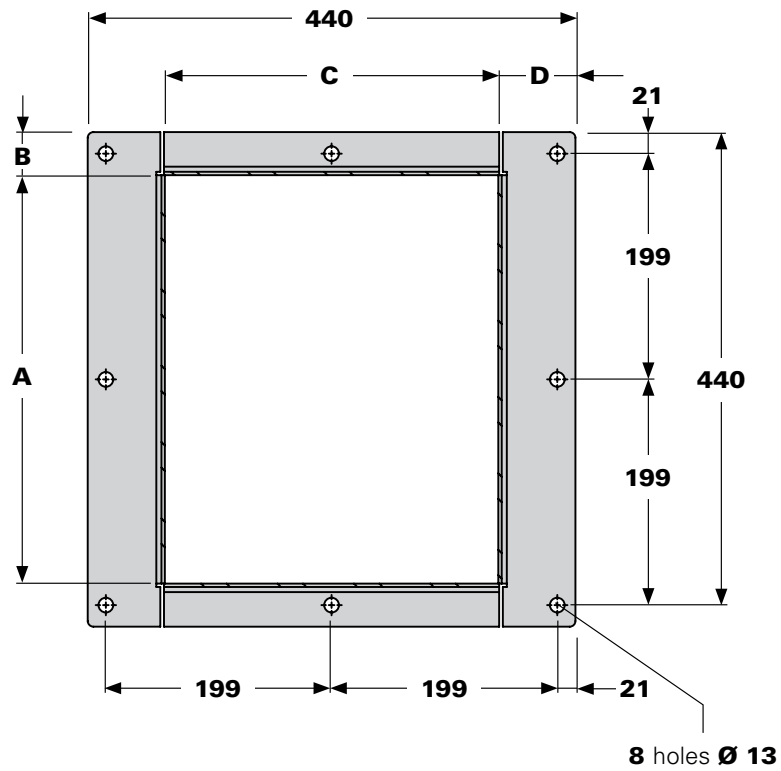
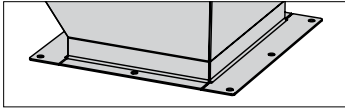


Single deep dimensions (mm)			
Configuration	A	B	H
2 wide	1073	965	622



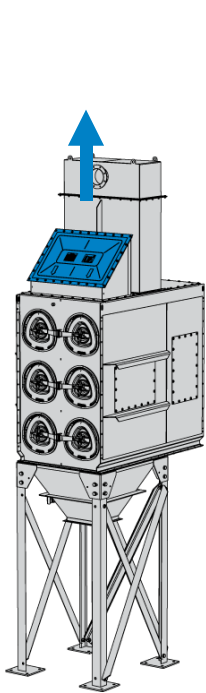
Double deep dimensions (mm)			
Configuration	A	B	H
2 wide	1739	965	1173
3 wide	1739	1473	1173

## HOPPER FLANGE

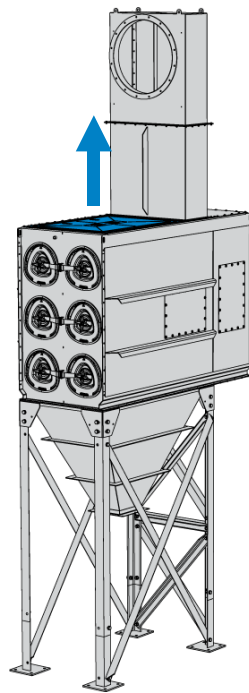


(mm)	2 wide single deep	2 wide double deep	3 wide double deep
A	360	360	360
B	40	40	40
C	360	296	360
D	40	72	40

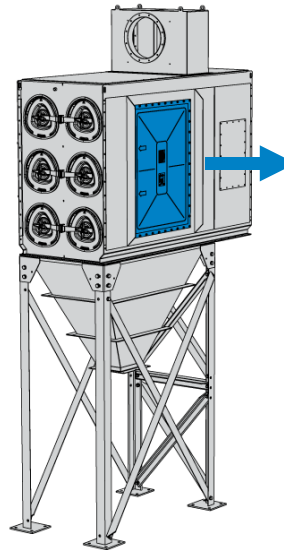
## DFE VENTED



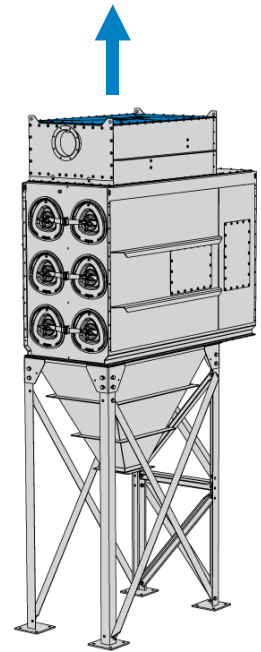
top vent  
single deep



top vent  
extension spool



side vent  
extension spool



top vent  
HIFLO

Configuration	Vent panel	
	small	large
	578 x 851 mm area 0.495 m <sup>2</sup>	851 x 1162 mm area 0.985 m <sup>2</sup>
DFE 2-4	top / side	-
DFE 2-8	side	top
DFE 2-12	side	top
DFE 3-6	top / side	-
DFE 3-12	-	top / side
DFE 3-18	-	top / side
DFE 4-16	-	top / side
DFE 4-24	-	top / side
DFE 5-20	-	top / side
DFE 5-30	-	top / side

## ELECTRICAL REQUIREMENTS

**Fully automatic cleaning mechanism:** C-Controller  
**Pulse interval time:** 12 s  
**Control box protection class:** IP65  
**Input voltage:** 230 / 115 VAC - 24 VD  
**Fan:** 400 V Δ 50 Hz

## PULSE NOISE LEVEL

**LpAeq,s:** <75 dB(A) (with soundproofing pack)  
 (A-weighted equivalent continuous sound pressure)

Measurement according 2006/42/EC at 1 metre distance and 1.6 metres above base level, with 6 bar compressed air pressure and 12 second pulse interval, in semi-free field conditions.

## MANIFOLD DESIGN DETAILS

### MANIFOLD DESIGN DETAILS

**Pressure Strength:** 7 bar  
**Pressure Test:** 10,5 bar  
**Temperature:** -20 to 200 °C

**Rating of pressure relief device:** 25 dm<sup>3</sup>/s at 7,1 bar (factory set at 7,1 bar)  
 (not supplied as standard)

**Product of pressure PS and Volumetric capacity V:**

2-high	57,70 bar. l
3-high	88,18 bar. l
4-high	118,68 bar. l
5-high	149,18 bar. l

**Material used for manifold construction:** According to EN13445 with extra Charpy when required

## COMPRESSED AIR REQUIREMENTS

**Clean air (max. particle size 50 µm)**  
**Free of condensate at working temperature**  
**Max. oil concentration:** ISO8573-1 class 3 =< 1 mg/m<sup>3</sup>  
**Approximate compressed air usage:** see table below

DFE model	Compressed air used (Lit/pulse)	Required Compressed air for 12s pulse interval at 7 bar (Nm <sup>3</sup> /hr)
2 high	54	16
3 high	72	21
4 high	80	24
5 high	85	25

\* The indicated value is the consumption per valve



*Install safety valve directly in contact with the manifold.*



*Make sure to use at least 1 inch supply line to avoid large pressure drops in the cleaning system.*

## STANDARD FEATURES & AVAILABLE OPTIONS

<b>Unit options</b>	Optional
Execution for outside installation	•
Variable hopper clearance	•
Full range of dust disposal systems	•
Earthing	•
Vibrator	•
Sprinkler	•
Oil/water separator	•
Bag in / Bag out	•
Full range of fan sets and ducting	•
Insulation	•

<b>Cartridge options</b>	Standard	Optional
Filter assembly DFE 660mm Ultra-Web®	•	
Filter assembly DFE 660mm Ultra-Web® Anti-Static		•
Filter assembly DFE 660mm Ultra-Web® Earthed		•
Filter assembly DFE 660mm Ultra-Web® Flame Retardant		•
Filter assembly DFE 660mm Ultra-Web® Flame Retardant Earthed		•
Filter assembly DFE 660mm Ultra-Web® on SpunBond		•
Filter assembly DFE 660mm Ultra-Web® on SpunBond Anti-Static		•
Filter assembly DFE 660mm Ultra-Web® on SpunBond Earthed		•
Filter assembly DFE 660mm Ultra-Web® No Liner		•
Filter assembly DFE 660mm Ultra-Web® Flame Retardant No Liner		•
Filter assembly DFE 660mm Ultra-Web® Stainless Steel		•
Filter assembly DFE 660mm Fibra-Web®		•
Filter assembly DFE 660mm Fibra-Web® Earthed		•
Filter assembly DFE 660mm Fibra-Web® Flame Retardant		•
Filter assembly DFE 660mm Thermo-Web®		•
Filter assembly DFE 660mm Thermo-Web® Earthed		•
Filter assembly DFE 660mm Torit-Tex®		•
Filter assembly DFE 660mm Kevlar Nomex (high temp)		•





- Africa** Donaldson Europe B.V.B.A.  
Industrial Filtration Solutions  
Research Parc Bldg No. 1303  
Interleuvenlaan, 1  
B-3001 Leuven  
**Belgium**  
IAF-africa@donaldson.com +32 16 38 39 70
- Austria** Donaldson Filtration Österreich GmbH  
Gutheil-Schoder Gasse 8-12  
A-1100 Wien  
**Österreich**  
IAFat@donaldson.com +43 16 16 52 91
- Belgium** Donaldson Europe B.V.B.A.  
Industrial Filtration Solutions  
Research Parc Bldg No. 1303  
Interleuvenlaan, 1  
B-3001 Leuven  
**België**  
IAF-be@donaldson.com +32 16 38 39 70
- Czech Republic** Donaldson Filtration CR - koncern s.r.o.  
Konevova 139  
CZ-130 83 Praha 3  
**Ceská republika**  
IAF-cz@donaldson.com +420 2 67 108 242
- Denmark** Donaldson Scandinavia ApS  
Lyngsø Allé 3A  
DK - 2970 Hørsholm  
**Danmark**  
IAF-dk@donaldson.com +45 45 57 00 77
- Finland** Donaldson Scandinavia ApS  
Lyngsø Allé 3A  
DK - 2970 Hørsholm  
**Danmark**  
IAF-fi@donaldson.com +45 45 57 00 77
- France** Donaldson France s.a.s.  
33 Rue des Vanesses  
Zac Paris Nord II B.P. 51292 Villepinte  
F-95958 Roissy  
Charles de Gaulle Cedex  
**France**  
IAF-fr@donaldson.com +33 1 49 38 99 30
- Germany** Industrial Filtration Solutions  
Industriestraße 11  
D-48249 Dülmen  
**Deutschland**  
IAF-de@donaldson.com + 49 2594 781-41
- Hungary** Donaldson Filtration Magyarország Kft.  
Záhony u. 7.  
H-1031 Budapest  
**Magyarország**  
IAF-hu@donaldson.com +36 1 453 28 65/66
- Ireland** Donaldson Filtration (GB) Ltd.  
Suite 31, The Hyde Building The Park  
Carrickmines, Dublin 18  
**Ireland**  
IAF-ie@donaldson.com +353 1 525 22 49
- Italy** Donaldson Italia S.r.l.  
Via Cesare Pavese, 5/7  
20090 Opera (Milan)  
**Italia**  
IAF-it@donaldson.com +39 0 25 30 05 21
- Middle East** Donaldson Europe B.V.B.A.  
Office 1905  
Jebel Ali Free Zone  
Dubai  
**United Arab Emirates**  
IAF-middle-east@donaldson.com +971 4 885 5311
- Netherlands** Donaldson Nederland B.V.  
Transistorstraat 44 III  
NL-1322 CG Almere  
**Nederland**  
IAF-nl@donaldson.com +31 36 548 08 40
- Norway** Donaldson Filtration Norway AS  
Postboks 196  
N-1501 Moss  
**Norge**  
IAF-no@donaldson.com +47 69 21 53 00
- Poland** Donaldson Polska Sp.zo. o.  
ul. Sienna 64  
PL-00-825 Warszawa  
**Polska**  
IAF-pl@donaldson.com +48 22 517 15 00
- Russia** Predstavitelstvo AOOO Donaldson Nederland B.V.  
Centr Meždunarodnoj Torgovli  
Ofis 1004V, Krasnopresnenskaja nab.12  
123610 Moskva  
**Russia**  
IAF-ru@donaldson.com +7 499 136 00 13
- Slovakia** Donaldson Filtration Slovensko s.r.o.  
Púchovská 8  
SK-83106 Bratislava 35  
**Slovensko**  
IAF-sk@donaldson.com +421 2 44872619
- Spain** Donaldson Ibérica, Soluciones en Filtración, S.L.  
Colom, 391 - 3ªA  
E-08223 Terrassa  
**España**  
IAF-es@donaldson.com +34 93 784 38 34
- Sweden** Donaldson Scandinavia  
Industrigatan 68  
S-261 35 Landskrona  
**Sverige**  
IAF-se@donaldson.com +46 418 457 550
- Switzerland** Donaldson Schweiz GmbH  
Bruggacherstrasse 18  
CH-8117 Fällanden  
**Schweiz**  
IAF-ch@donaldson.com +41 (0)44 302 07 15
- Turkey** Donaldson Filtre Sist. Tic. Ltd. Sti.  
Barbaros Mahallesi Palladium Tower No:2 Kat:10  
34746 Ataşehir / Istanbul  
**Türkiye**  
IAF-tr@donaldson.com +90 216 687 03 26
- United Kingdom** Donaldson Filtration (GB) Ltd.  
Humberstone Lane Thurmaston  
Leicester LE4 8HP  
**United Kingdom**  
IAF-uk@donaldson.com +44 116 269 6161
- Other countries** Donaldson Filtration (GB) Ltd.  
Humberstone Lane Thurmaston  
Leicester LE4 8HP  
**United Kingdom**  
IAF-export@donaldson.com +44 116 269 6161

Order online



shop.Donaldson.com