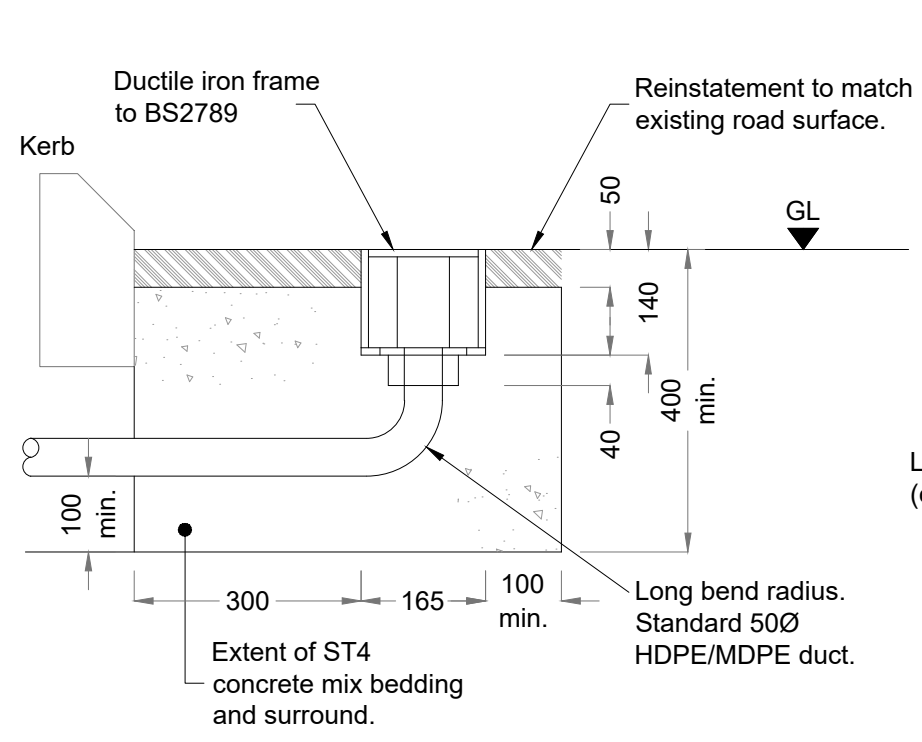
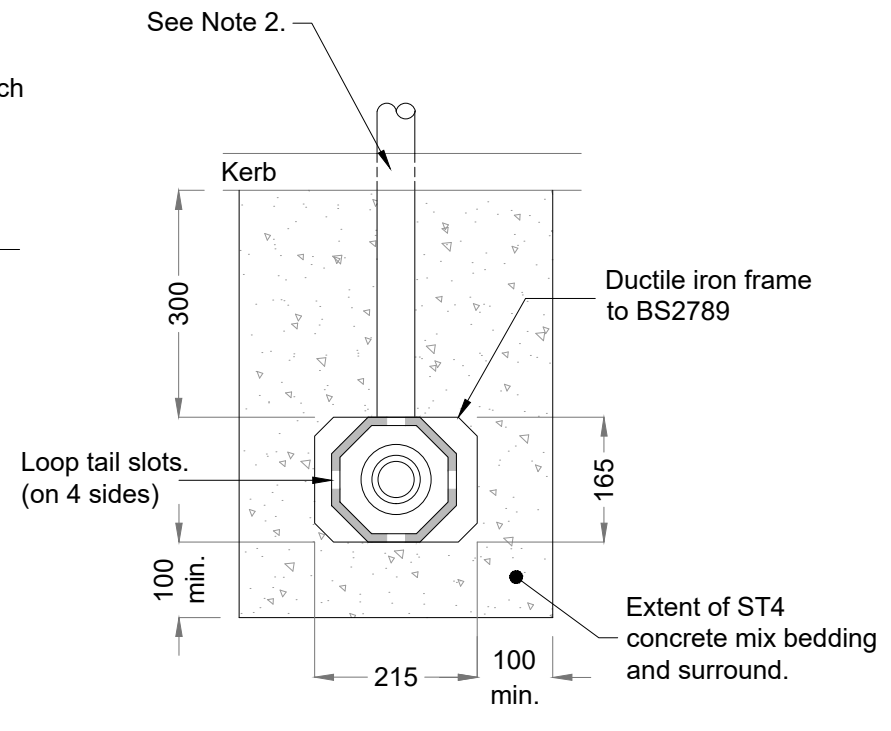


100
10
0
Millimetres
DO NOT SCALE



SIDE ELEVATION



PLAN

- Notes:**
- All dimensions are in millimetres (mm) unless otherwise stated.
 - 50mm HDPE/MDPE orange duct from carriageway chamber to be laid under kerb in ST4 concrete surround.
 - Refer to drawing No. TSCADSTD-ATK-HTS-CHAMBER-DR-D-0003 for carriageway Loop Tail box details.

SAFETY, HEALTH AND ENVIRONMENTAL INFORMATION			
In addition to the hazards/risks normally associated with the types of work detailed on this drawing, note the following:			
CONSTRUCTION			
NONE			
MAINTENANCE/CLEANING			
NONE			
DECOMMISSIONING/DEMOLITION			
NONE			
It is assumed that all works will be carried out by a competent contractor working, where appropriate, to an approved method statement			
Rev.	Date	Description	By
P1	22.06.16	FOR INFORMATION	BPI/JH
			MY
			BP

Drawing Status: **FOR INFORMATION**

ATKINS

Woodcote Grove
Ashley Road
Epsom
Surrey
KT18 5BW
Tel: +44 (0)1372 726140
Fax: +44 (0)1372 740055
www.atkinsglobal.com

Copyright © Atkins Limited (2016)

Client: **ATKINS**

Project Title		TRAFFIC SIGNAL CAD STANDARDS			
Drawing Title		STANDARD DETAIL CARRIAGEWAY LOOP TAIL BOX INSTALLATION DETAIL			
Scale	1:10	Designed	BP	Drawn	JH
Original Size	A3	Date	22/06/16	Date	22/06/16
		Date	22/06/16	Date	22/06/16
		Date	22/06/16	Date	22/06/16
Drawing Number		TSCADSTD			
Project	TSCADSTD	Originator	ATK	Volume	HTS
	LOOPBOX - DR - D - 0001				
Location		Type	Role	Number	
					P1